



LUBORN EXTERIORS 2023

Exteriors Architectural Luminaries





LUBORN Exteriors - The Ultimate Exteriors Lighting Solution

LUBORN Exteriors is a trusted name in the outdoor architectural lighting scene backed with a proud of several years plus history of successful lighting projects.

LUBORN Exteriors outdoor architectural luminaires are ideally suited for Outdoor environments. They feature stylish contemporary designs, high-performance optics and a superior degree of physical integrity in terms of durable finishes and high ingress protection ratings. Our valuable partners are recognised internationally for their unique professional approach, exceptional technical know-how and superbly engineered products.

Welcome to the Eight edition of the LUBORN Exterior Lighting catalogue. Our new catalogue brings you a vast array of Architectural lighting Products ranging commercial exterior lighting including a good range of LED and Low Energy products.

We ensure that all of our products are tested thoroughly and that all comply with current European safety and technical standards. We are an international company based Asia and China with offices distribution facilities in all locations of Middle East, Europe & Canada Region. We also have our manufacturing partner facility in Shanghai, Foshan, China. Currently our aim is to primarily focus on all areas of the Europe, Middle East and Asian markets providing a superb customer service, with stock ready to go on a next day delivery straight to your door.

The functions of our products and services are determined by the users in the relentless search for advanced technical solutions. These Technical solutions are presented in a form that is in sympathy with architectural environments.

We hope that you find these latest editions of catalogues to be helpful in sourcing the lighting solutions to suite you as per Project Requirement. If you require any advice on lighting schemes or any further product information please contact us either by telephone or, e-mail info@luborn-exteriors.com or visit our website at www.luborn-exteriors.com

Design Creates Illumination

The new Landscape product line from LUBORN Exteriors luminaires designed for optical performance and superior corrosion resistance constructed of the highest quality of 316 Stainless Steel and heavy Duty Die Cast Aluminium materials. Products are suitable for all forms of Commercial, Residential and Street or Garden applications. Multiple Energy Efficient lamp sources are available including Metal Halide, Compact Fluorescents and LED.

LUBORN Exteriors is subsidiary company of TRP ARC Technology Limited which was established in the early 2005 to produce lighting designs for exterior products with the accent on the quest for style as a blend between form and innovative technical functions, creating products with an immediate visual impact that are pleasant additions to any ambience. High quality looks, state of the art materials and a careful study of both lighting sources and energy saving to ensure that the very essence of the light is controlled and exploited to the full are the leitmotifs of a concern that has taken this heritage of experience and transferred it into the cutting-edge competition of luminaires for community spaces, shopping centres, public entertainment and leisure centres and the whole range of the workplace.

LUBORN Exteriors operates out of two production plants, where it employs qualified staff, lighting specialists and technicians responsible for an in-house centre that controls every single phase of every single process.

Our Design & Quality Control Department team consists of well trained engineers who are highly specialized in delivering the kind of specifications & quality as per our clients desired specific requirements. These Engineers work in close coordination with the manufacturing units to see that our clients' needs are met with utmost care. Every final product is subjected to thorough quality control checks & inspections. Production of the goods are executed under proper guidance, strict quality control and monitor of our well-trained engineers.

This is how we at Luborn Exteriors have managed to expand our business in various countries without compromising on the quality of our products & thus earning trust and confidence of our esteemed customers.





LUBORN Exteriors - How it works

Our Design & Quality Control consists of well trained engineers who are highly specialized in delivering the kind of specifications & high end quality as per our clients desired specific requirements. Every final product is subjected to thorough strict quality control checks & inspections. This is how samples are manufactured & delivered to the clients for their testing & final approval.

As such we have entered into many contracts of confidential in nature with our various customers from different countries.

This is how we at Luborn Exteriors have managed to expand our business in various countries without compromising on the quality of our products & thus earning trust and confidence of our esteemed customers.

Materials

A corrosion resistant , low copper content aluminium alloy high-pressure heavy duty die-casting bodies provide mechanical strength and excellent heat dissipation , ideal characteristics for both low and high ambient temperature applications. All external screws use is 316 stainless steel and also use silicone grease with our fittings where there is a contact between stainless steel and aluminium such as tapping holes to prevent corrosion that can cause by chemical reaction between two different kinds of metal material.

Painting finish

LUBORN EXTERIORS Products do double-step pre-treatment by decreasing and chromating for 15 minutes then baked for 15 minutes before applying a UV stabilized polyester powder coat finish. The baking of the powder takes place in a curing oven at a high temperature. This process provides excellent corrosion resistance , powder coat adhesion and colour stability.

Diffusers and Gasketing

LUBORN EXTERIORS luminaires used safety glass , acrylic PMMA , polycarbonate, high density polyethylene (HDPE) , polypropylene (PP) depending on product. Luminaires used weatherproof and non-aging silicone rubber gasket only. It provides excellent sealing qualities in corrosive and high temperature. The service temperature of LUBORN EXTERIORS s gasket is between -40° to $+150^{\circ}$ C

Ambient Temperatures

LUBORN EXTERIORS luminaires are designed for operation at -20° C. up to $+55^{\circ}$ C.



EPILSON SERIES



Description

350mA/500mA/750mA/1050mA

The EILSON series is a Bollard / Column Luminaries in Power LED Version providing precision optical systems which gives , very low glare rating while reducing light pollution and specially designed for Landscape and in unique version ground mounted LED light in compact size design. EPILSON Series luminaires are designed to offer functional, a wide range of lighting solutions and dramatic highlighting of the architectural facades of different buildings through the design with superior finishing as well highest efficiency with a long service life.

This exterior Bollard /Column uminarie with LED Products can be specified as Main Heavy Duty Die Cast Aluminium Body and Housing covered by Anti Corrosion resistant. It can achieve the desired effect in a wide range of applications with high quality optical systems and for direct or indirect lighting. This product provide soft, uniform, enhancing special lighting effect that blends into the space being lit, to maximizes light beauty.

EPILSON series is equipped with a uniquely designed for better protection and durability, easier installation and maintenance.

| | |
|-----------------------|---|
| Body: | Heavy Duty Die-cast aluminium. |
| Optical system: | Adopt modular light distribution lens, diffuser with super white, UV Resistant and Antiglare PMMA / PC / Tempered Glass lens diffuser. |
| LED | Highest quality LEDs. Maintaining a 3-Step MacAdam ellipse one bin only, creating perfect LED color consistency. |
| LED Life | 50,000 Hrs or more based on Climate /Ambient Temperature |
| Gear plate: | Galvanized steel plate, button design for opened device. Built in Electronics Driver (Meanwell / OSRAM / Tridonic Atco / Philips / Inventronics / Eagle, etc. Durable Silicon Rubber Gasket. 3000/4000/6000K CCT. Excellent heat dissipation. Color Rendering Index is 80+. |
| Luminaire Control: | Quick on/off connector when be open. |
| Finishing: | Surface anti-ageing electrostatic spray processing, super resistance to corrosion and chemical protection. |
| Operating Temperature | Operating Temperature -30°C to 50° C |



Dimensions



White Black Silver Grey Graphite

Wattage can be customizedly increased / decreased as per Site requirement

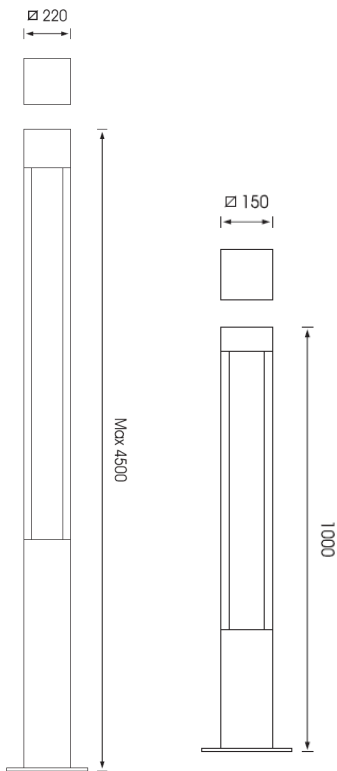


EPILSON SERIES



Description

350mA/500mA/750mA/1050mA



White Black Silver Grey Graphite

Technology Data

| Code | CCT | Input voltage | Output power | LED Pcs | Lumen | SIDES | LED |
|---------|-----------------------|-----------------------------|-------------------|---------|-------------------|------------|-----|
| EPILSON | 3000K 4000K 5000K | 100V-240V DALI DC 24V | 18W 26W 39W | COB | 90-95 Lumens/Watt | 360 DEGREE | |

Wattage can be customizedly increased / decreased as per Site requirement



CROCK SERIES



Description

350mA/500mA/750mA/1050mA

The CROCK series is a Bollard Luminaries in Indirect Power LED Version providing precision optical systems which gives very low glare rating, while reducing light pollution and specially designed for Landscape and in unique version ground mounted LED light in compact size design. CROCK Series luminaires are designed to offer functional, a wide range of lighting solutions and dramatic highlighting of the architectural facades of different buildings through the design with superior finishing as well highest efficiency with a long service life.

This exterior Bollard luminaries with LED Products can be specified as Main Heavy Duty Die Cast Aluminium Body and Housing covered by Anti Corrosion resistant. It can achieve the desired effect in a wide range of applications with high quality optical systems and for direct or indirect lighting. This product provide soft, uniform, enhancing special lighting effect that blends into the space being lit, to maximizes light beauty.

CROCK series is equipped with a uniquely designed for better protection and durability, easier installation and maintenance.

| | |
|-----------------------|---|
| Body: | Heavy Duty Die-cast aluminium. |
| Optical system: | Adopt modular light distribution lens, diffuser with super white, UV Resistant and Antiglare tempered Flat glass lens diffuser. |
| LED | Highest quality LEDs. Maintaining a 3-Step MacAdam ellipse one bin only, creating perfect LED color consistency. |
| LED Life | 50,000 Hrs or more based on Climate / Ambient Temperature |
| Gear plate: | Galvanized steel plate, button design for opened device. Built in Electronics Driver (Meanwell / OSRAM / Tridonic Atco / Philips / Inventronics / Eagle, etc. Durable Silicon Rubber Gasket. 3000/4000/6000K CCT. Excellent heat dissipation. Color Rendering Index is 80+. |
| Luminaire Control: | Quick on/off connector when be open. |
| Finishing: | Surface anti-ageing electrostatic spray processing, super resistance to corrosion and chemical protection. |
| Assembling height: | 4-8 m. |
| Fixing: | Top or side fitting Ø60mm, angle can be adjustable. |
| Operating Temperature | -30°C to 50° C |



Wattage can be customizedly increased / decreased as per Site requirement

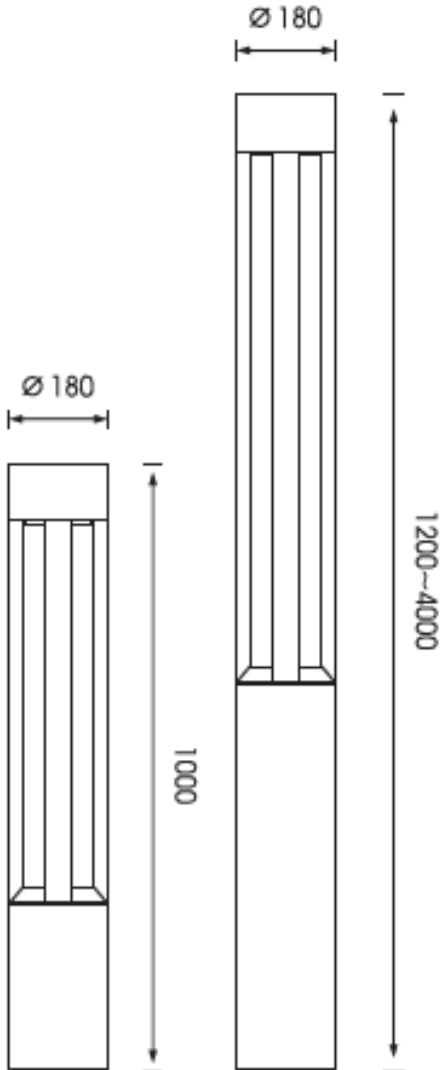


CROCK SERIES



Description

350mA/500mA/750mA/1050mA



Due to continuous improvement, specifications may change without prior notice.

Technology Data

| Code | Lamp | Input voltage | Output power | LED Pcs | Lumen | SIDES | LED |
|-------------|------|---------------|--------------|---------|----------------------|--------------------|-----|
| CROCK-H1000 | LED | 100V-240V | 20W | 1 | 90 – 105 Lumens/Watt | 1SIDE LUMINARIES | |
| CROCK-H2000 | | | 30W | 1 | | 3 SIDE LUMINARIES | |
| CROCK-H3000 | | | 38W | 1 | | 4 SIDES LUMINARIES | |
| CROCK-H4000 | | | 48W | 1 | | | |

Wattage can be customizedly increased / decreased as per Site requirement



HARMAN



Description

350mA/500mA/750mA/1050mA

The HARMAN series is a new Symmetrical direct Architectural Garden, Park or Street Lighting Series in Power LED Version providing precision optical system which gives very low glare rating, while reducing light pollution. It can achieve the desired effect in a wide range of applications with high quality optical systems and for direct lighting. HARMAN series are designed to offer functional, a wide range of lighting solution and dramatic highlighting through the design with super finishing as well highest efficiency with long service life. This product provide soft, uniform, enhancing special lighting effect that blends into the space being lit, to maximizes light beauty.

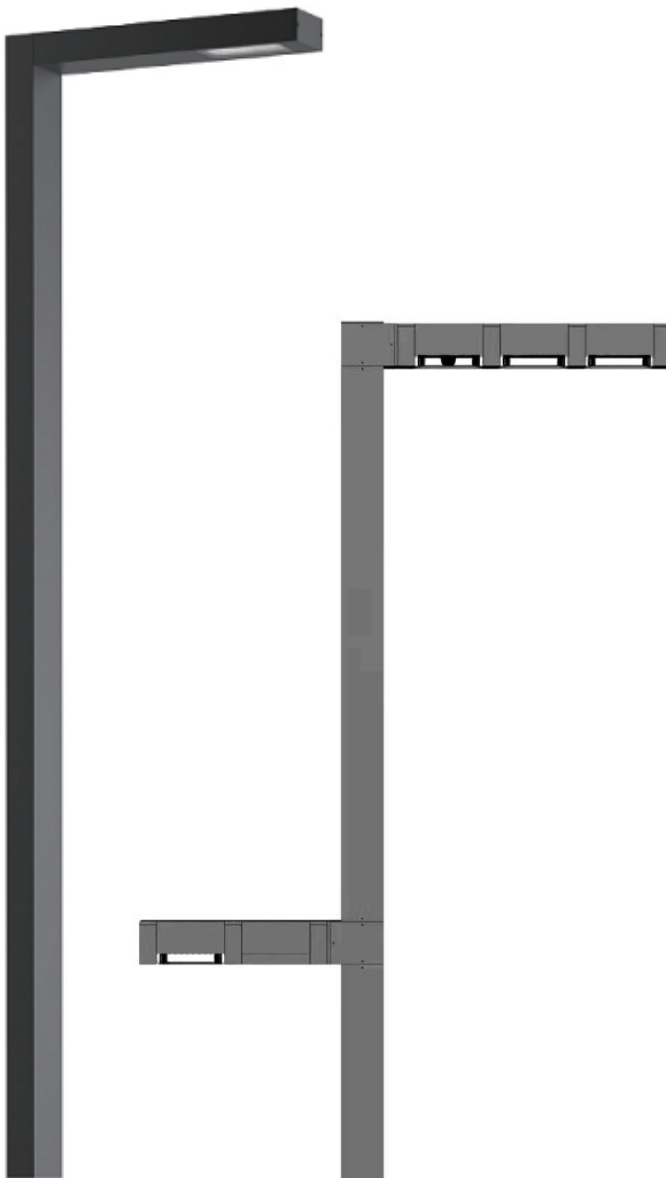
Designed to illuminate Parks, Garden, Streets, Urban Centers, Squares, Pedestrian and more.

The housing materials of the fixture of this series can be specified as main structure made of heavy duty Die cast aluminum covered by anti-corrosion resistant covering 5 years of warranty.

The HARMAN series is equipped with a uniquely designed for better protection and durability, easier installation and maintenance.

The Pole will have opening door with 400 | 500mm x 80 | 100mm width or customize dimension for mounting MCB cut out Box

| | |
|-----------------------|---|
| Body: | Heavy Duty Die-cast aluminium. |
| Optical system: | Adopt modular light distribution lens, diffuser with super white, UV Resistant and Antiglare tempered Flat glass lens diffuser. |
| LED | Highest quality LEDs. Maintaining a 3-Step MacAdam ellipse one bin only, creating perfect LED color consistency. |
| LED Life | 50,000 Hrs or more based on Climate / Ambient Temperature |
| Gear plate: | Galvanized steel plate, button design for opened device. Built in Electronics Driver (Meanwell / OSRAM / Tridonic Atco / Philips / Inventronics / Eagle, etc. Durable Silicon Rubber Gasket. 3000/4000/6000K CCT. Excellent heat dissipation. Color Rendering Index is 80+. |
| luminaire control: | Quick on/off connector when be open. |
| Finishing: | Surface anti-ageing electrostatic spray processing, super resistance to corrosion and chemical protection. |
| Assembling height: | 4-8 m. |
| Fixing: | Top or side fitting Ø60mm, angle can be adjustable. |
| Operating Temperature | -30°C to 50° |
| Base Plate | 300 400 x 300 400mm x 15mm. Hot Dip Galvanized Steel Anchor Bolt J / L shape 500mm included |



Due to continuous improvement, specifications may change without prior notice.

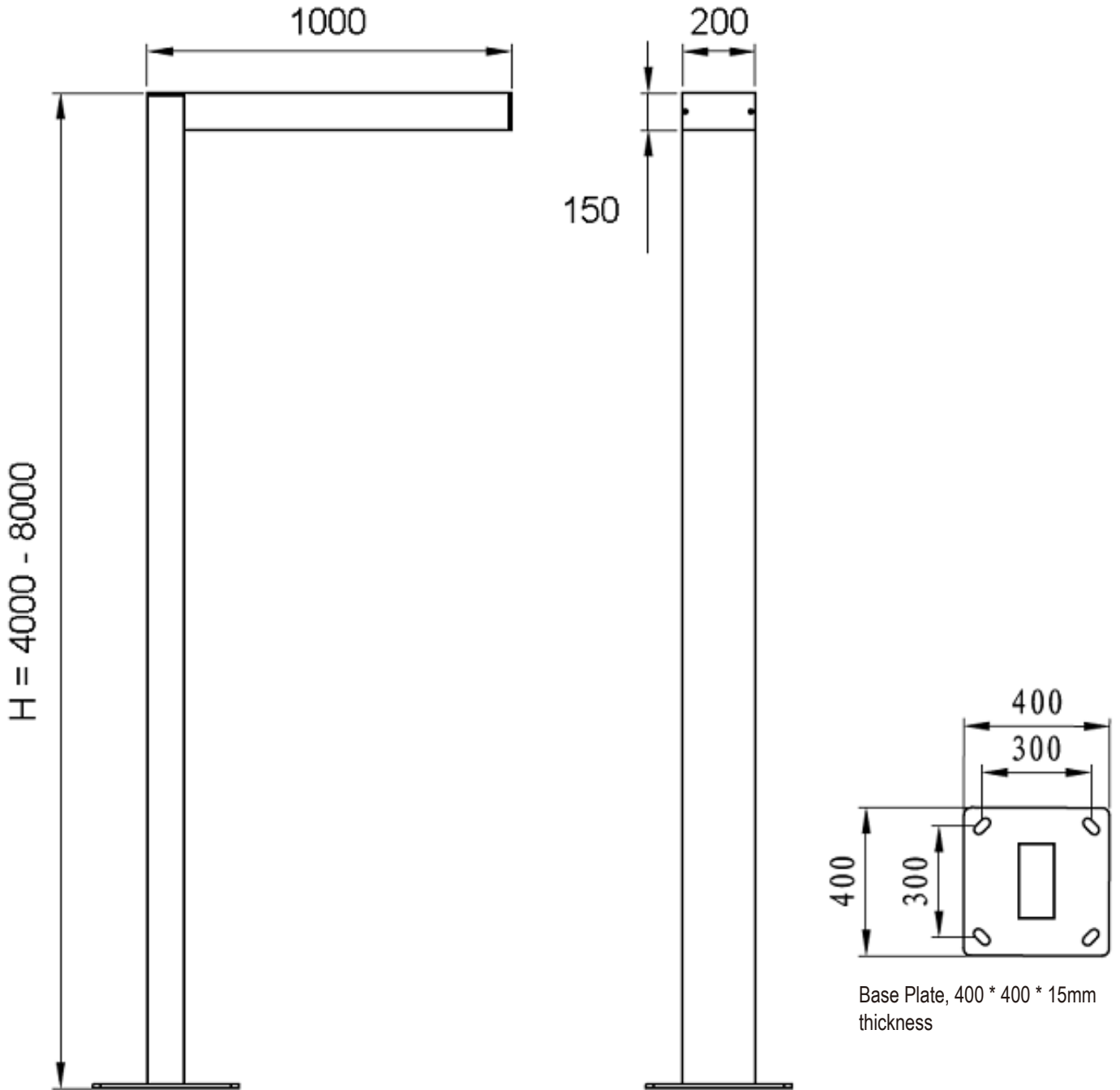


HARMAN



Description

350mA/500mA/750mA/1050mA



Due to continuous improvement, specifications may change without prior notice.

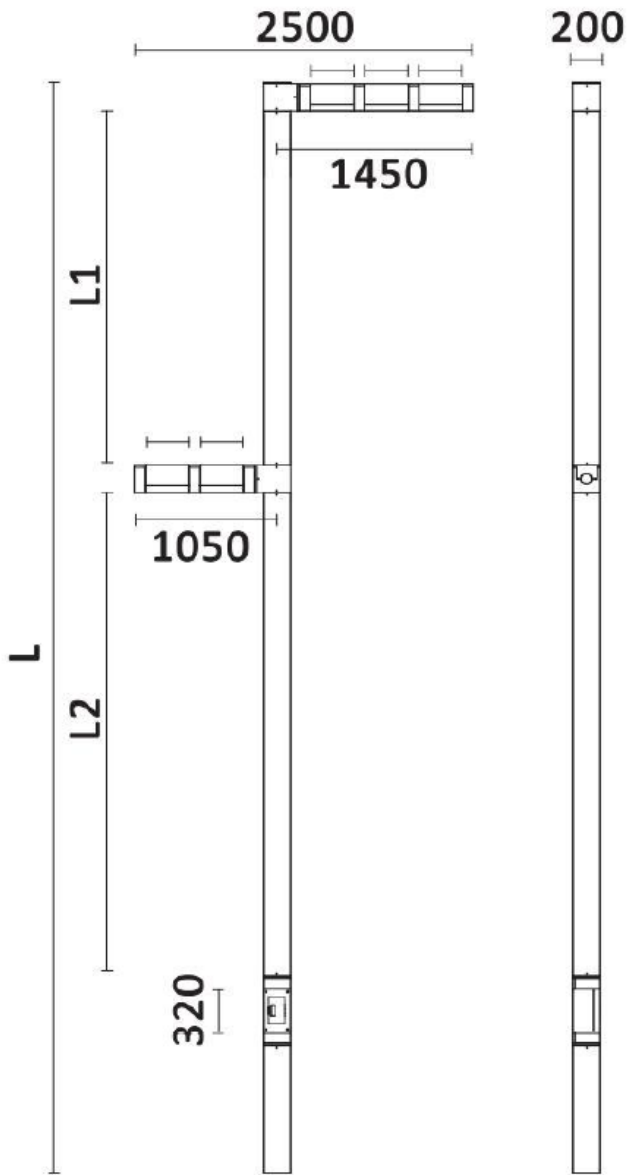


HARMAN

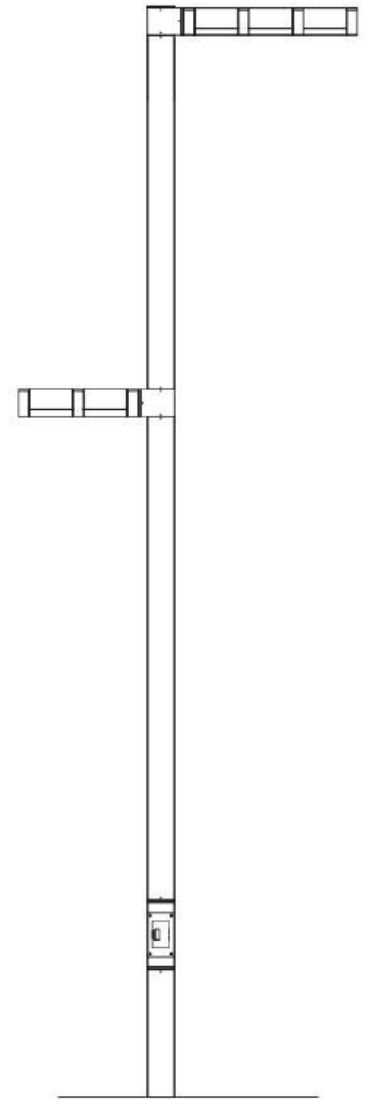


Description

350mA/500mA/750mA/1050mA



Installation:



Due to continuous improvement, specifications may change without prior notice.

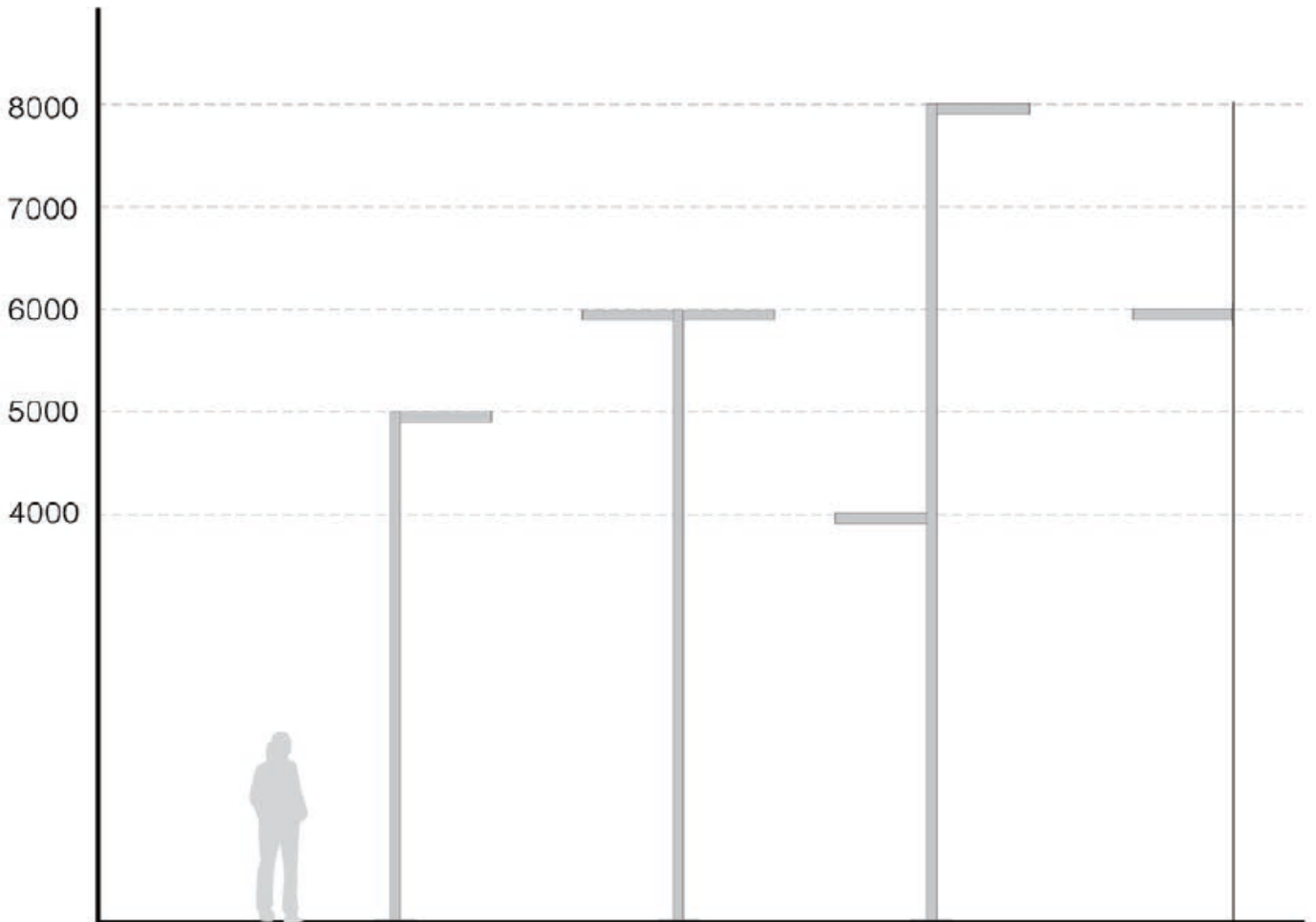


HARMAN



Description

350mA/500mA/750mA/1050mA



Due to continuous improvements, specifications may change without prior notice.



HARMAN

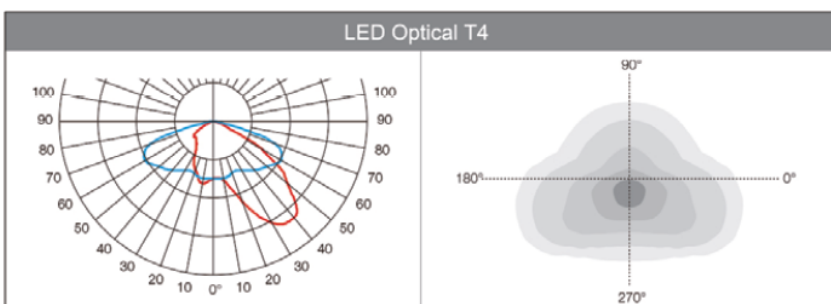
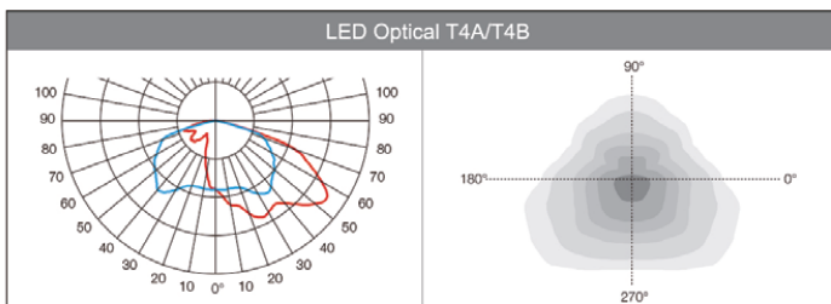
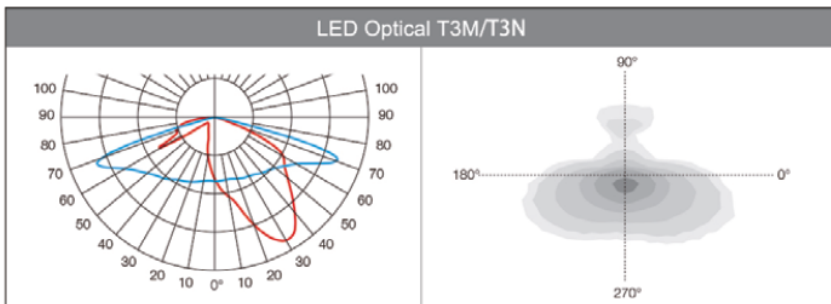
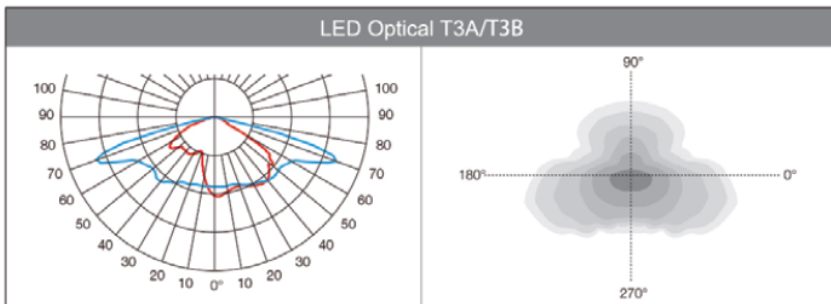
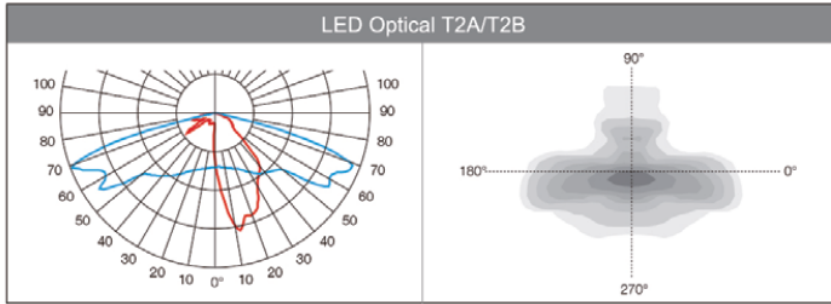


Description

350mA/500mA/750mA/1050mA



Optical application



HARMAN



Description

350mA/500mA/750mA/1050mA



Due to continuous improvement, specifications may change without prior notice.

Technology Data

| Code | Lamp | Output power | Lumen | Voltage | LED |
|------------|------|--------------|-------------|-------------------|-----|
| HARMAN 30 | LED | 30W | 3200-3400 | 100-265V AC Input | |
| HARMAN 40 | | 40W | 4400-4600 | DC 24V Input | |
| HARMAN 60 | | 60W | 6700-6900 | | |
| HARMAN 80 | | 80W | 9000-9200 | | |
| HARMAN 100 | | 100W | 11300-11500 | | |





首付30万起
享正中心100^m旺铺

峰10席
智慧金主而留

領
LINGZI

CANE



350mA/500mA/750mA/1050mA

Description

The CANE series is a new Indirect Architectural Garden, Park Column Lighting Series in Power LED Version providing precision optical system which gives very low glare rating, while reducing light pollution. It can achieve the desired effect in a wide range of applications with high quality optical systems and for direct lighting. CANE series are designed to offer functional, a wide range of lighting solution and dramatic highlighting through the design with super finishing as well highest efficiency with long service life. This product provide soft, uniform, enhancing special lighting effect that blends into the space being lit, to maximizes light beauty.

Designed to illuminate Parks, Garden, Urban Centers, Squares, Pedestrian and more.

The housing materials of the fixture of this series can be specified as main structure made of heavy duty Die cast aluminum covered by anti-corrosion resistant covering 5 years of warranty.

The CANE series is equipped with a uniquely designed for better protection and durability, easier installation and maintenance.

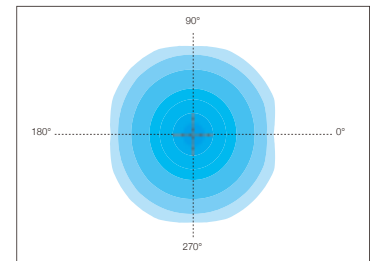
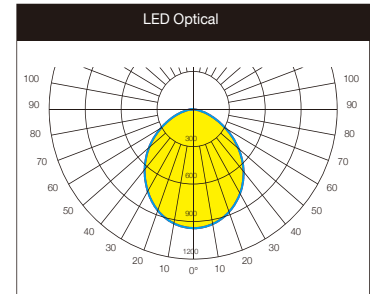
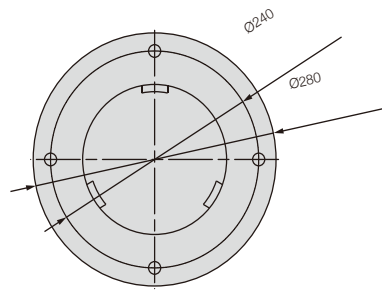
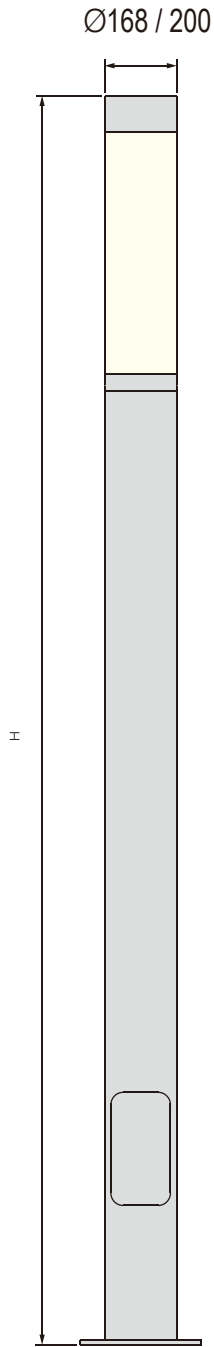
Body: Heavy Duty Die-cast aluminium.
 Optical system: Adopt modular light distribution lens, diffuser with super white, UV Resistant and Antiglare clear PMMA lens diffuser.
 LED: Highest quality LEDs. Maintaining a 3-Step MacAdam ellipse one bin only, creating perfect LED color consistency.
 LED Life: 50,000 Hrs or more based on Climate /Ambient Temperature
 Gear plate: Galvanized steel plate, button design for opened device. Built in Electronics Driver (Meanwell / OSRAM / Tridonic Atco / Philips / Inventronics / Eagle, etc. Durable Silicon Rubber Gasket. 3000/4000/6000K CCT. Excellent heat dissipation. Color Rendering Index is 80+.
 Luminaire Control: Quick on/off connector when be open.
 Finishing: Surface anti-ageing electrostatic spray processing, super resistance to corrosion and chemical protection.
 Operating Temperature -30°C to 50° C



Due to continuous improvements, specifications may change without prior notice.



CANE



Technology Data

CANE

| Code | Lamp | Output power | LED Pcs | N.W.(kg) | G.W.(kg) | Size (mm) | Volt | LED |
|------|------|--------------|---------|----------|----------|---------------|---------|-----|
| CANE | LED | 36W | 1×COB | 20.4 | 26.0 | Ø170×240×2700 | M12×400 | |
| | | 45W | 1×COB | 24.0 | 31.0 | Ø170×240×3500 | M12×400 | |
| | | 60W | 1×COB | 24.0 | 31.0 | Ø170×240×3500 | M12×400 | |



Due to continuous improvements, specifications may change without prior notice.



RODEO



The RODEO series is a new Symmetrical or Indirect Architectural Garden, Park or Street Lighting Series in Power LED Version providing precision optical system which gives very low glare rating, while reducing light pollution. It can achieve the desired effect in a wide range of applications with high quality optical systems and for direct lighting. RODEO series are designed to offer functional, a wide range of lighting solution and dramatic highlighting through the design with super finishing as well highest efficiency with long service life. This product provide soft, uniform, enhancing special lighting effect that blends into the space being lit, to maximizes light beauty.

Designed to illuminate Parks, Garden, Streets, Urban Centers, Squares, Pedestrian and more.

The housing materials of the fixture of this series can be specified as main structure made of heavy duty Die cast aluminum covered by anti-corrosion resistant covering 5 years of warranty.

The RODEO series is equipped with a uniquely designed for better protection and durability, easier installation and maintenance.

100V-277V
50-60Hz

>50000 h

24
LEDS

36
LEDS

48
LEDS



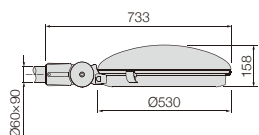
IP
66

IK
10

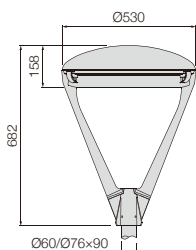


CRI
80+

STREET



POST TOP



Description

350mA/500mA/750mA/1050mA

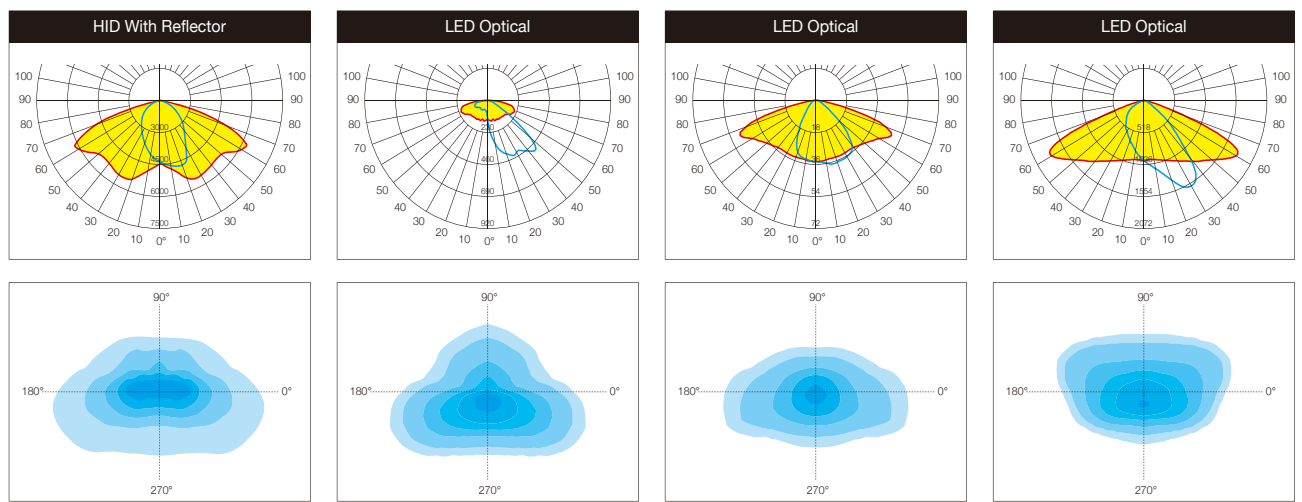
| | |
|-----------------------|---|
| Body: | Heavy Duty Die-cast aluminium. |
| Optical system: | Adopt modular light distribution lens, diffuser with super white, UV Resistant and Antiglare tempered Flat glass lens diffuser. |
| LED | Highest quality LEDs. Maintaining a 3-Step MacAdam ellipse one bin only, creating perfect LED color consistency. |
| LED Life | 50,000 Hrs or more based on Climate / Ambient Temperature |
| Gear plate: | Galvanized steel plate, button design for opened device. Built in Electronics Driver (Meanwell / OSRAM / Tridonic Atco / Philips / Inventronics / Eagle, etc. Durable Silicon Rubber Gasket. 3000/4000/6000K CCT. Excellent heat dissipation. Color Rendering Index is 80+. |
| luminaire control: | Quick on/off connector when be open. |
| Finishing: | Surface anti-ageing electrostatic spray processing, super resistance to corrosion and chemical protection. |
| Assembling height: | 4-8 m. |
| Fixing: | Top or side fitting Ø60mm, angle can be adjustable. |
| Operating Temperature | -30°C to 50° |



Due to continuous improvement, specifications may change without prior notice.



Optical Application



Technology Data

| Code | Lamp | Output power | LED Pcs | Lumen | N.W.(kg) | G.W.(kg) | LED |
|--------------|------------|--------------|----------|-------|----------|----------|-----|
| RODEO | HPS/MH | 70W-250W | / | / | 9.5 | 10.5 | |
| RODEO50-24 | LED | 40W | 24 | 4018 | 10.8 | 11.8 | |
| RODEO50-24 | | 60W | 24 | 5617 | 10.8 | 11.8 | |
| RODEO50-36 | | 60W | 36 | 6080 | 10.8 | 11.8 | |
| RODEO50-36 | | 80W | 36 | 7639 | 11.0 | 12.0 | |
| RODEO50-48 | | 60W | 48 | 5910 | 10.8 | 11.8 | |
| RODEO50-48 | | 80W | 48 | 7805 | 11.0 | 12.0 | |
| RODEO5100-48 | | 100W | 48 | 9108 | 11.2 | 12.2 | |
| RODEO | | HPS/MH | 70W-250W | / | / | 11.0 | |
| RODEO50-24 | LED | 40W | 24 | 4018 | 12.3 | 13.3 | |
| RODEO50-24 | | 60W | 24 | 5617 | 12.3 | 13.3 | |
| RODEO50-36 | | 60W | 36 | 6080 | 12.3 | 13.3 | |
| RODEO50-36 | | 80W | 36 | 7639 | 12.5 | 13.5 | |
| RODEO50-48 | | 60W | 48 | 5910 | 12.3 | 13.3 | |
| RODEI50-48 | | 80W | 48 | 7805 | 12.5 | 13.5 | |
| RODEI5100-48 | | 100W | 48 | 9108 | 12.7 | 13.7 | |

Due to continuous improvement, specifications may change without prior notice.



LYRA

SMART TOP

The LYRA series is a new Pole Top with Symmetric direct Architectural Garden, Park or Street Lighting Series in Power LED Version providing precision optical system which gives very low glare rating, while reducing light pollution. It can achieve the desired effect in a wide range of applications with high quality optical systems and for direct lighting. LYRA series are designed to offer functional, a wide range of lighting solution and dramatic highlighting through the design with super finishing as well highest efficiency with long service life. This product provide soft, uniform, enhancing special lighting effect that blends into the space being lit, to maximizes light beauty. Designed to illuminate Parks, Garden, Streets, Urban Centers, Squares, Pedestrian and more.

The housing materials of the fixture of this series can be specified as main structure made of heavy duty Die cast aluminum covered by anti-corrosion resistant covering 5 years of warranty.

The LYRA series is equipped with a uniquely designed for better protection and durability, easier installation and maintenance.



Description

350mA/500mA/750mA/1050mA

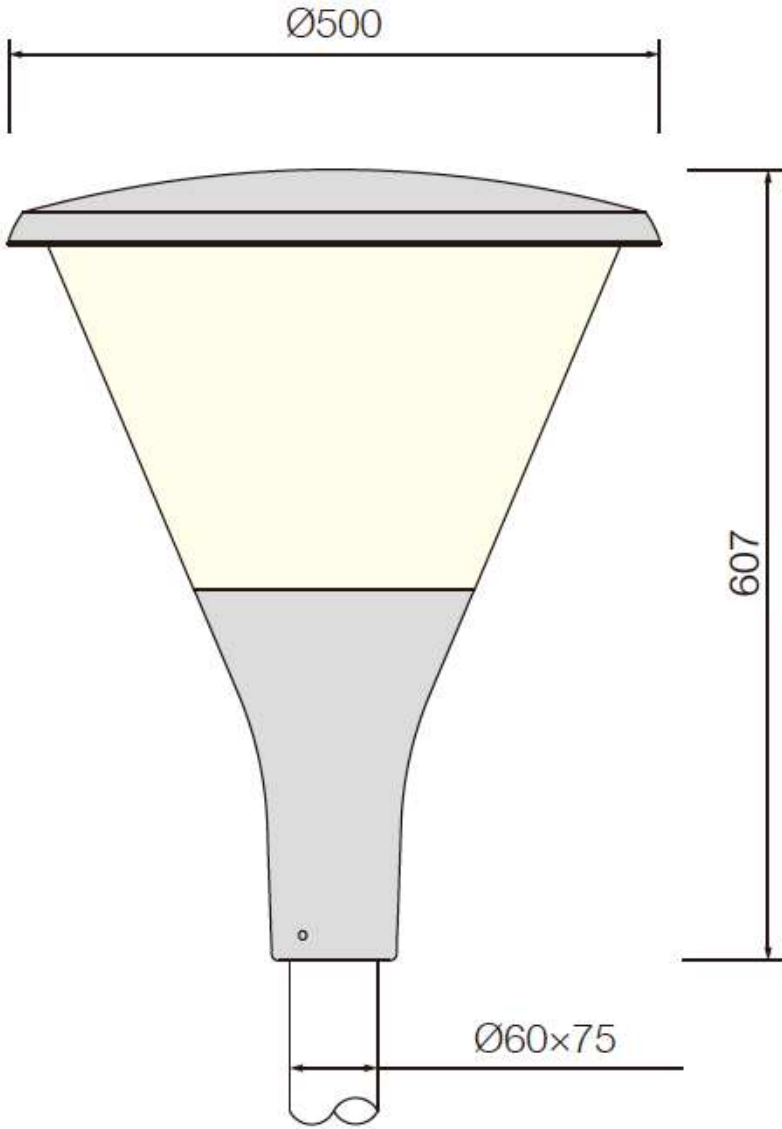
| | |
|-----------------------|---|
| Body: | Heavy Duty Die-cast aluminium. |
| Optical system: | Adopt modular light distribution lens, diffuser with super white, UV Resistant and Antiglare tempered Flat glass lens diffuser. |
| LED | Highest quality LEDs. Maintaining a 3-Step MacAdam ellipse one bin only, creating perfect LED color consistency. |
| LED Life | 50,000 Hrs or more based on Climate /Ambient Temperature |
| Gear plate: | Galvanized steel plate, button design for opened device. Built in Electronics Driver (Meanwell / OSRAM / Tridonic Atco / Philips / Inventronics / Eagle, etc. Durable Silicon Rubber Gasket. 3000/4000/6000K CCT. Excellent heat dissipation. Color Rendering Index is 80+. |
| luminaire control: | Quick on/off connector when be open. |
| Finishing: | Surface anti-ageing electrostatic spray processing, super resistance to corrosion and chemical protection. |
| Assembling height: | 4-6 m. |
| Fixing: | Top or side fitting Ø60mm, angle can be adjustable. |
| Operating Temperature | -30°C to 50° |

PHILIPS
LUMILEDS



LYRA

SMART TOP



Du\$ to continuous improv&#m;nts, specifications may change without prior notice.

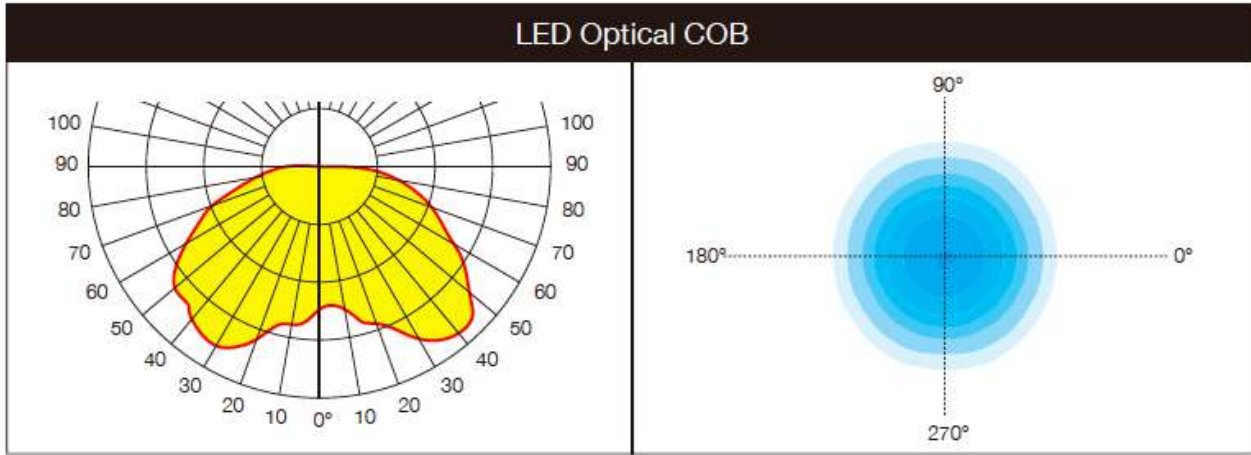


LYRA

SMART TOP



Optical Application



Technology Data

| Code | Lamp | Watt | LED Pcs | lumens | LED |
|------|------|------|---------|-------------------------------|-----|
| LYRA | LED | 40W | COB | 75-98 Lumens @ Watt | |
| | | 60W | COB | 3000K 4000K 5000K 6000K | |
| | | 60W | COB | | |
| | | 80W | COB | | |



JULIET



SMART TOP

The JULIET series is a new Pole Top with Symmetric direct Architectural Garden, Park or Street Lighting Series in Power LED Version providing precision optical system which gives very low glare rating, while reducing light pollution. It can achieve the desired effect in a wide range of applications with high quality optical systems and for direct lighting. JULIET series are designed to offer functional, a wide range of lighting solution and dramatic highlighting through the design with super finishing as well highest efficiency with long service life. This product provide soft, uniform, enhancing special lighting effect that blends into the space being lit, to maximizes light beauty. Designed to illuminate Parks, Garden, Streets, Urban Centers, Squares, Pedestrian and more.

The housing materials of the fixture of this series can be specified as main structure made of heavy duty Die cast aluminum covered by anti-corrosion resistant covering 5 years of warranty.

The JULIET series is equipped with a uniquely designed for better protection and durability, easier installation and maintenance.



Description

350mA/500mA/750mA/1050mA

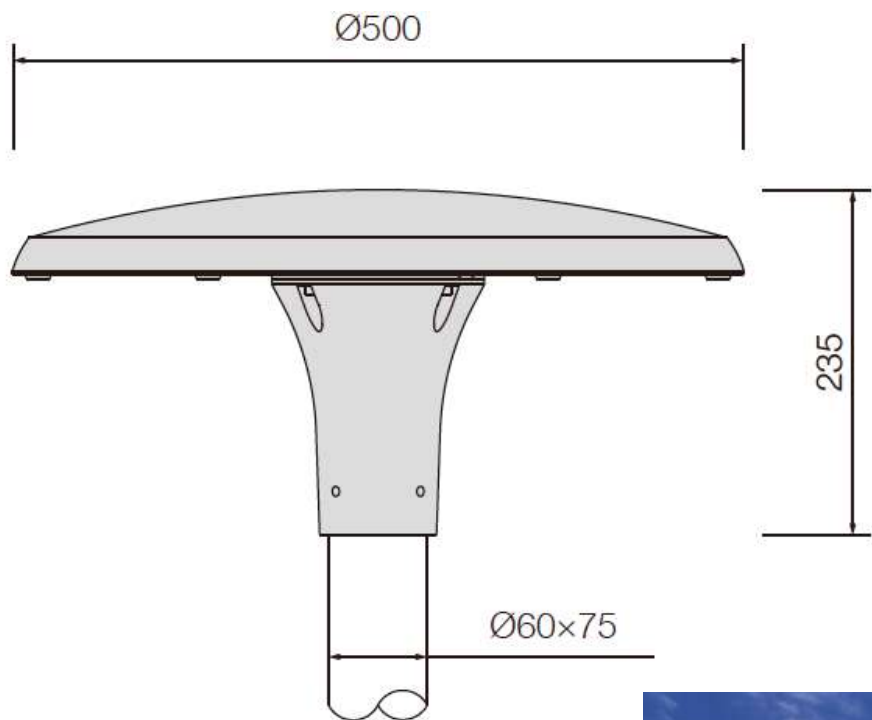
| | |
|-----------------------|---|
| Body: | Heavy Duty Die-cast aluminium. |
| Optical system: | Adopt modular light distribution lens, diffuser with super white, UV Resistant and Antiglare tempered Flat glass lens diffuser. |
| LED | Highest quality LEDs. Maintaining a 3-Step MacAdam ellipse one bin only, creating perfect LED color consistency. |
| LED Life | 50,000 Hrs or more based on Climate / Ambient Temperature |
| Gear plate: | Galvanized steel plate, button design for opened device. Built in Electronics Driver (Meanwell / OSRAM / Tridonic Atco / Philips / Inventronics / Eagle, etc. Durable Silicon Rubber Gasket. 3000/4000/6000K CCT. Excellent heat dissipation. Color Rendering Index is 80+. |
| luminaire control: | Quick on/off connector when be open. |
| Finishing: | Surface anti-ageing electrostatic spray processing, super resistance to corrosion and chemical protection. |
| Assembling height: | 4-6 m. |
| Fixing: | Top or side fitting Ø60mm, angle can be adjustable. |
| Operating Temperature | -30°C to 50° |

PHILIPS
LUMILEDS



JULIET

SMART TOP



Due to continuous improvements, specifications may change without prior notice.

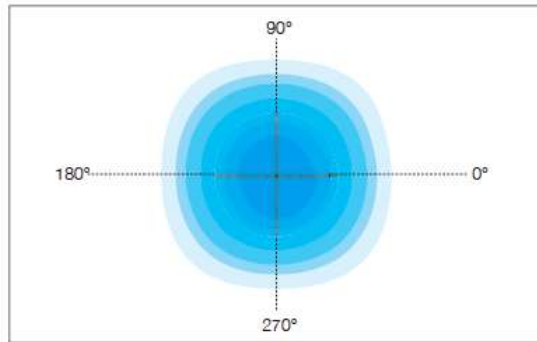
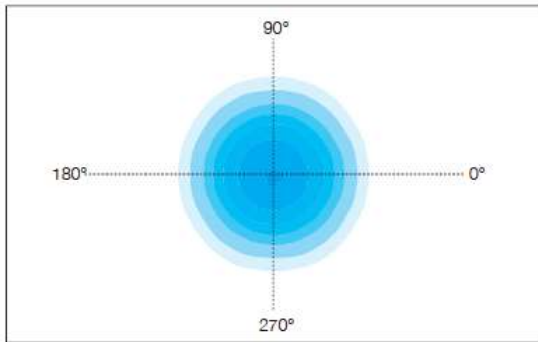
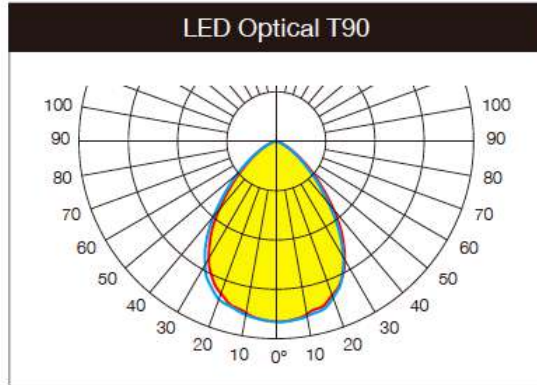
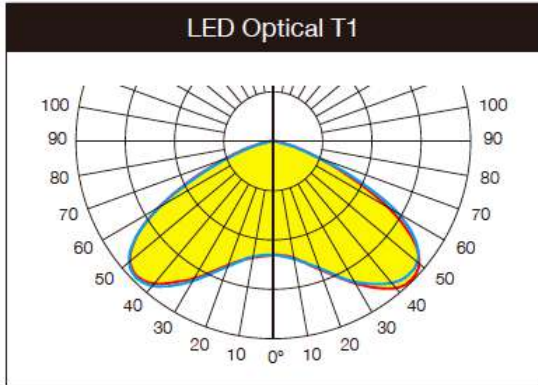


JULIET

SMART TOP



Optical Application



Technology Data

| Code | Lamp | Watt | LED Pcs | lumens | LED |
|--------|------|------|----------|-------------------------------|-----|
| JULIET | LED | 40W | 32 / 112 | 75-98 Lumens @ Watt | |
| | | 60W | 32 | 3000K 4000K 5000K 6000K | |



VULKAN



SMART STREET

The VULKAN series is a new Smart Street, Pole Top with Symmetric direct Architectural Garden, Park or Street Lighting Series in Power LED Version providing precision optical system which gives very low glare rating, while reducing light pollution. It can achieve the desired effect in a wide range of applications with high quality optical systems and for direct lighting. VULKAN series are designed to offer functional, a wide range of lighting solution and dramatic highlighting through the design with super finishing as well highest efficiency with long service life. This product provide soft, uniform, enhancing special lighting effect that blends into the space being lit, to maximizes light beauty.

Designed to illuminate Parks, Garden, Streets, Urban Centers, Squares, Pedestrian and more.

The housing materials of the fixture of this series can be specified as main structure made of heavy duty Die cast aluminum covered by anti-corrosion resistant covering 5 years of warranty.

The VULKAN series is equipped with a uniquely designed for better protection and durability, easier installation and maintenance.



Description

350mA/500mA/750mA/1050mA

| | |
|-----------------------|---|
| Body: | Heavy Duty Die-cast aluminium. |
| Optical system: | Adopt modular light distribution lens, diffuser with super white, UV Resistant and Antiglare tempered Flat glass lens diffuser. |
| LED | Highest quality LEDs. Maintaining a 3-Step MacAdam ellipse one bin only, creating perfect LED color consistency. |
| LED Life | 50,000 Hrs or more based on Climate /Ambient Temperature |
| Gear plate: | Galvanized steel plate, button design for opened device. Built in Electronics Driver (Meanwell / OSRAM / Tridonic Atco / Philips / Inventronics / Eagle, etc. Durable Silicon Rubber Gasket. 3000/4000/6000K CCT. Excellent heat dissipation. Color Rendering Index is 80+. |
| luminaire control: | Quick on/off connector when be open. |
| Finishing: | Surface anti-ageing electrostatic spray processing, super resistance to corrosion and chemical protection. |
| Assembling height: | 4-6 m. |
| Fixing: | Top or side fitting Ø60mm, angle can be adjustable. |
| Operating Temperature | -30°C to 50° |

PHILIPS
LUMILEDS

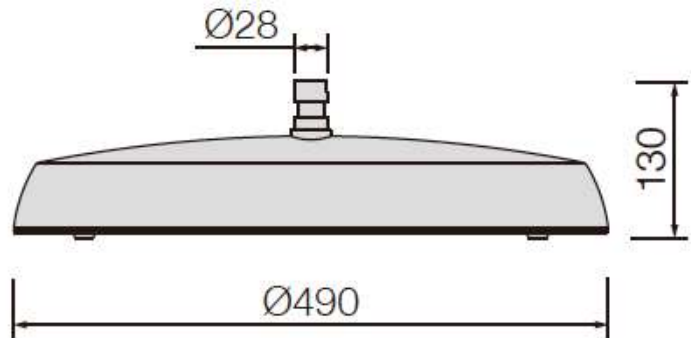
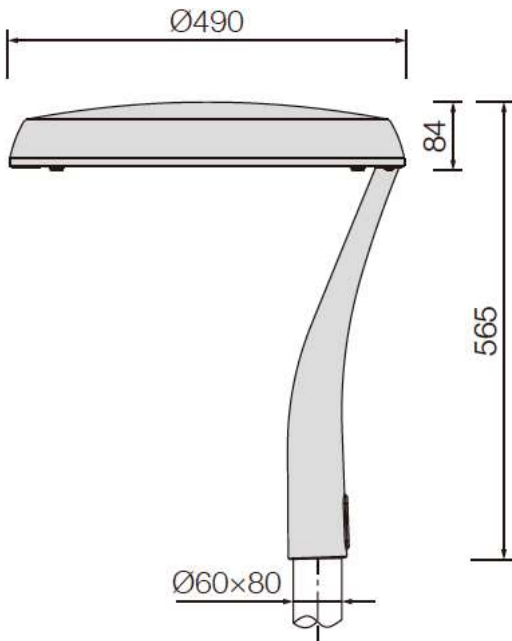
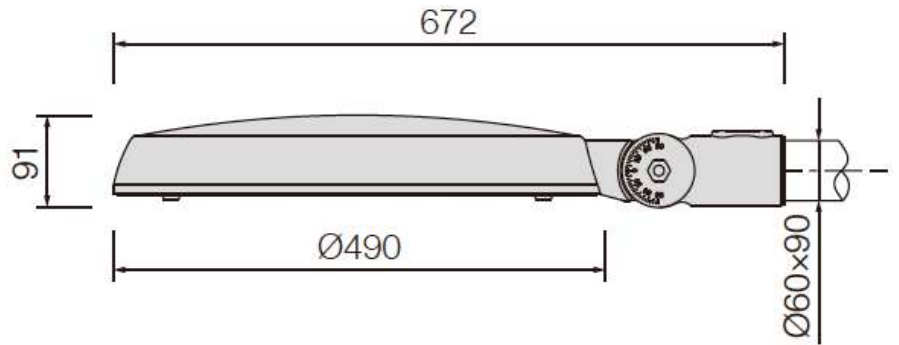
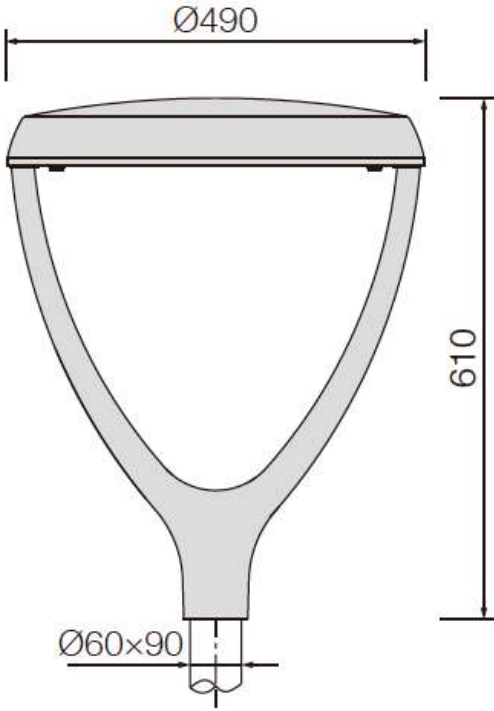


Due to continuous improvement in technology, specifications may change without prior notice.



VULKAN

SMART STREET

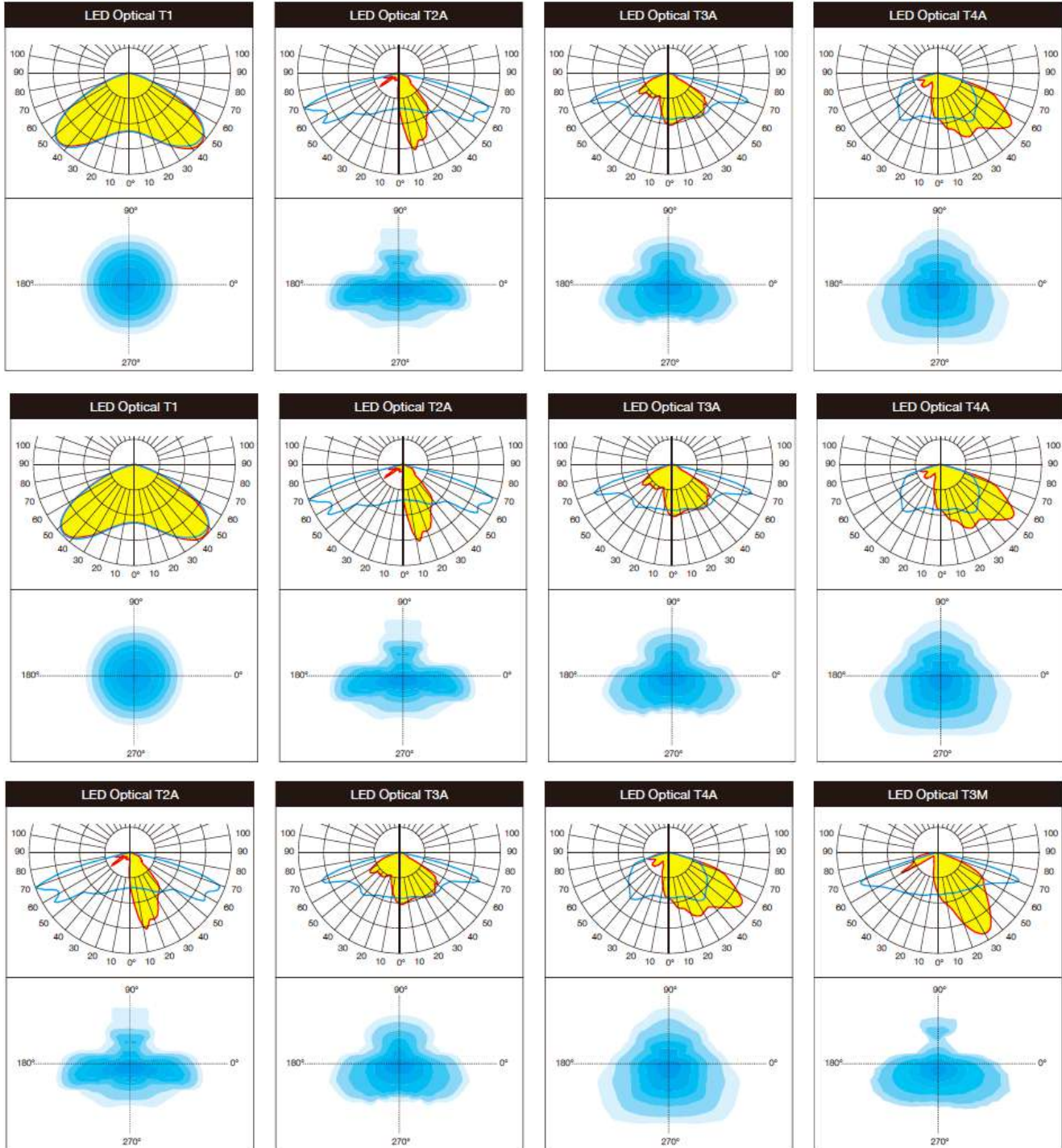


Due to continuous improvements, specifications may change without prior notice.



VULKAN

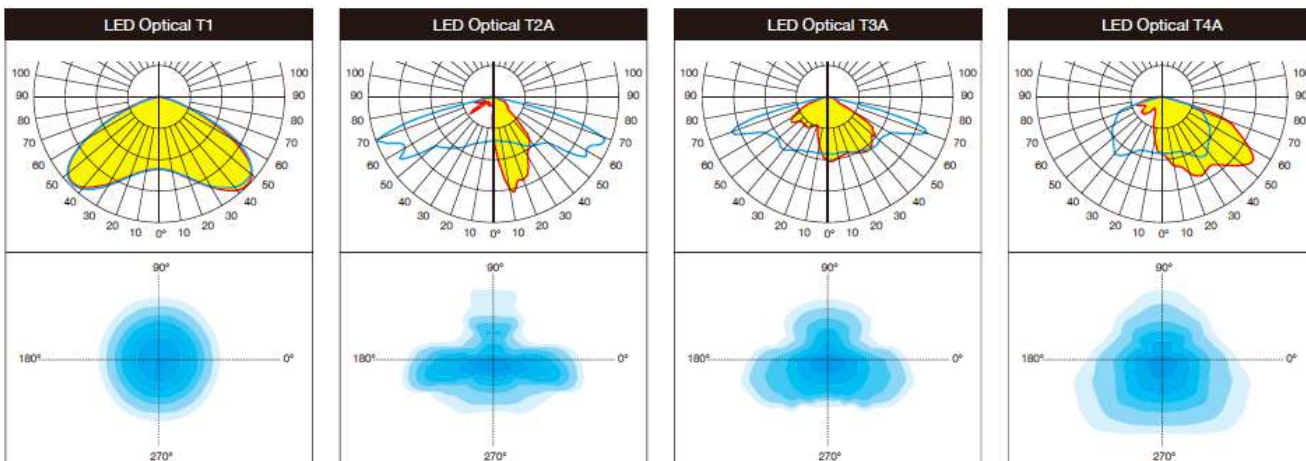
SMART STREET



VULKAN



SMART STREET



Due to continuous improvement, specifications may change without prior notice.

Technology Data

| Code | Lamp | Watt | LED Pcs | lumens | LED |
|--------|------|------|---------|-------------------------------|-----|
| VULKAN | LED | 30W | 16 / 56 | 75-98 Lumens @ Watt | |
| | | 40W | 24 / 56 | 3000K 4000K 5000K 6000K | |
| | | 60W | 24 / 84 | | |
| | | 80W | 36 / 96 | | |



VULKAN

SMART STREET



Due to continuous improvements, specifications may change without prior notice.



DURANGO SR



Description

350mA/500mA/750mA/1050mA

The DURANGO series is a new Symmetrical direct Architectural Garden, Park or Street Lighting Series in Power LED Version providing precision optical system which gives very low glare rating, while reducing light pollution. It can achieve the desired effect in a wide range of applications with high quality optical systems and for direct lighting. DURANGO series are designed to offer functional, a wide range of lighting solution and dramatic highlighting through the design with super finishing as well highest efficiency with long service life. This product provide soft, uniform, enhancing special lighting effect that blends into the space being lit, to maximizes light beauty. Designed to illuminate Parks, Garden, Streets, Urban Centers, Squares, Pedestrian and more.

The housing materials of the fixture of this series can be specified as main structure made of heavy duty Die cast aluminum covered by anti-corrosion resistant covering 5 years of warranty.

The DURANGO series is equipped with a uniquely designed for better protection and durability, easier installation and maintenance.

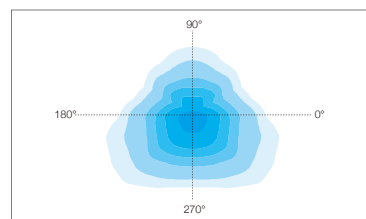
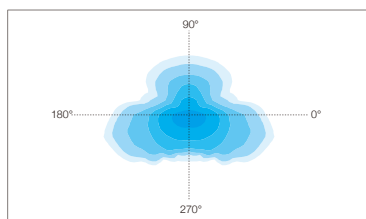
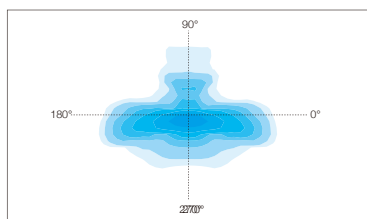
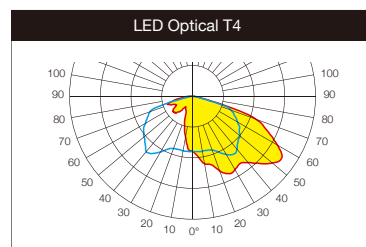
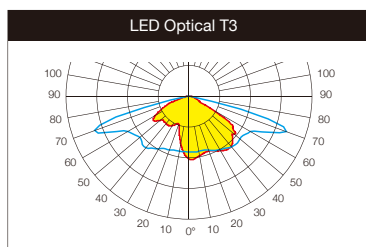
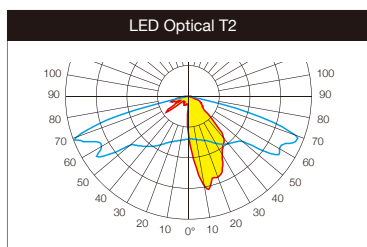


| | |
|-----------------------|---|
| Body: | Heavy Duty Die-cast aluminium. |
| Optical system: | Adopt modular light distribution lens, diffuser with super white, UV Resistant and Antiglare tempered Flat glass lens diffuser. |
| LED | Highest quality LEDs. Maintaining a 3-Step MacAdam ellipse one bin only, creating perfect LED color consistency. |
| LED Life | 50,000 Hrs or more based on Climate /Ambient Temperature |
| Gear plate: | Galvanized steel plate, button design for opened device. Built in Electronics Driver (Meanwell / OSRAM / Tridonic Atco / Philips / Inventronics / Eagle, etc. Durable Silicon Rubber Gasket. 3000/4000/6000K CCT. Excellent heat dissipation. Color Rendering Index is 80+. |
| luminaire control: | Quick on/off connector when be open. |
| Finishing: | Surface anti-ageing electrostatic spray processing, super resistance to corrosion and chemical protection. |
| Assembling height: | 4-8 m. |
| Fixing: | Top or side fitting Ø60mm, angle can be adjustable. |
| Operating Temperature | -30°C to 50° |





Optical Application



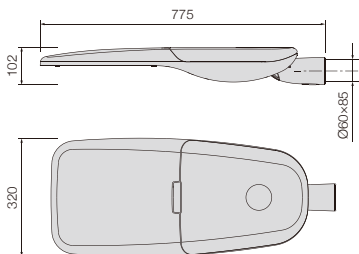
100V-277V
50-60Hz

>50000 h

48
LEDS

64
LEDS

Dimensions



Technology Data

| Code | Lamp | Output power | LED Pcs | Lumen | N.W. (kg) | G.W. (kg) | LED |
|----------------|------|--------------|---------|-------|-----------|-----------|-----|
| DURANGO M100 | LED | 100W | 48 | 9900 | 9.4 | 10.5 | |
| DURANGOMLED120 | | 120W | 48 | 10025 | 9.4 | 10.5 | |
| DURANGOMLED120 | | 120W | 64 | 11760 | 9.4 | 10.5 | |
| DURANGOMLED150 | | 150W | 64 | 14100 | 9.5 | 10.6 | |
| DURANGOMLED180 | | 180W | 64 | 17080 | 9.5 | 10.6 | |

Due to continuous improvement, specifications may change without prior notice.



DURANGO JR



Description

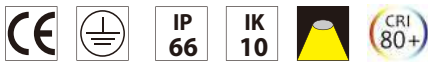
350mA/500mA/750mA/1050mA

The DURANGO series is a new Symmetrical direct Architectural Garden, Park or Street Lighting Series in Power LED Version providing precision optical system which gives very low glare rating, while reducing light pollution. It can achieve the desired effect in a wide range of applications with high quality optical systems and for direct lighting. DURANGO series are designed to offer functional, a wide range of lighting solution and dramatic highlighting through the design with super finishing as well highest efficiency with long service life. This product provide soft, uniform, enhancing special lighting effect that blends into the space being lit, to maximizes light beauty.

Designed to illuminate Parks, Garden, Streets, Urban Centers, Squares, Pedestrian and more.

The housing materials of the fixture of this series can be specified as main structure made of heavy duty Die cast aluminum covered by anti-corrosion resistant covering 5 years of warranty.

The DURANGO series is equipped with a uniquely designed for better protection and durability, easier installation and maintenance.



| | |
|-----------------------|---|
| Body: | Heavy Duty Die-cast aluminium. |
| Optical system: | Adopt modular light distribution lens, diffuser with super white, UV Resistant and Antiglare tempered Flat glass lens diffuser. |
| LED | Highest quality LEDs. Maintaining a 3-Step MacAdam ellipse one bin only, creating perfect LED color consistency. |
| LED Life | 50,000 Hrs or more based on Climate /Ambient Temperature |
| Gear plate: | Galvanized steel plate, button design for opened device. Built in Electronics Driver (Meanwell / OSRAM / Tridonic Atco / Philips / Inventronics / Eagle, etc. Durable Silicon Rubber Gasket. 3000/4000/6000K CCT. Excellent heat dissipation. Color Rendering Index is 80+. |
| luminaire control: | Quick on/off connector when be open. |
| Finishing: | Surface anti-ageing electrostatic spray processing, super resistance to corrosion and chemical protection. |
| Assembling height: | 4-8 m. |
| Fixing: | Top or side fitting Ø60mm, angle can be adjustable. |
| Operating Temperature | -30°C to 50° |

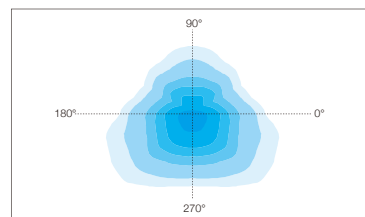
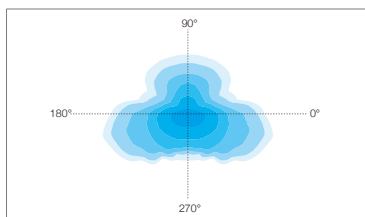
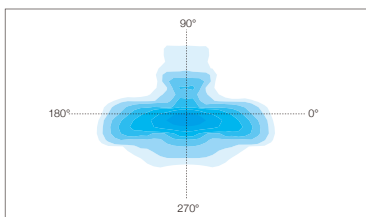
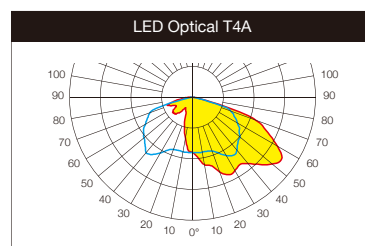
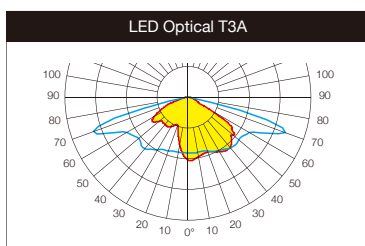
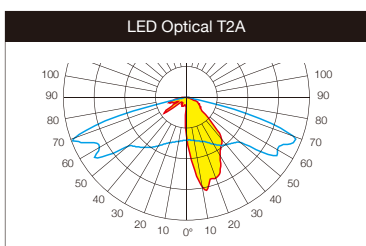


Duş to continuous improve\$M\$mts. specifications may change without prior notice.





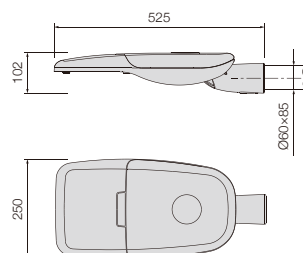
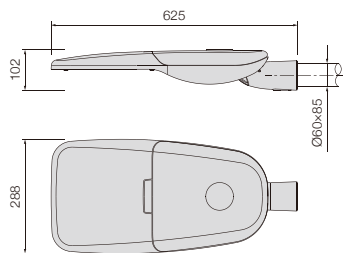
Optical Application



100V-277V 50-60Hz >50000 h 24 LEDS 32 LEDS 48 LEDS

100V-277V 50-60Hz >50000 h 16 LEDS 24 LEDS

Dimensions




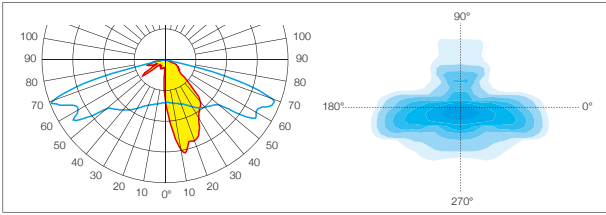

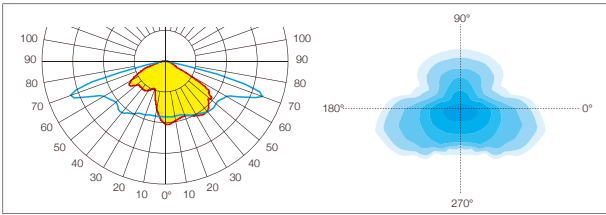

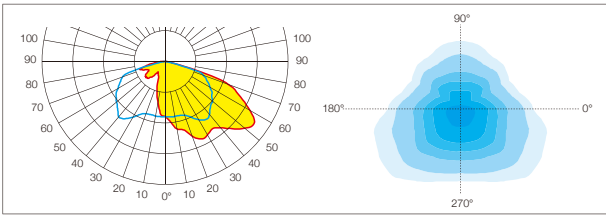

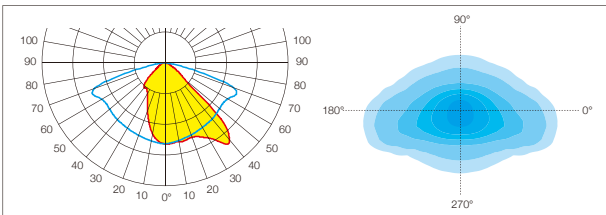

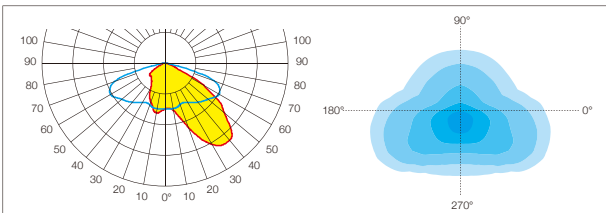

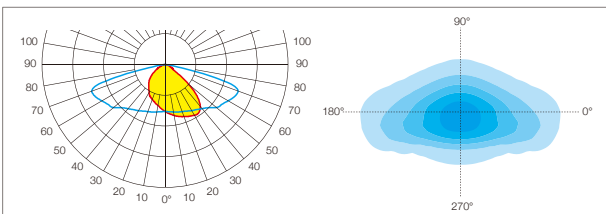
Technology Data

| Code | Lamp | Output power | LED Pcs | Lumen | G.W.(kg) | N.W.(kg) | LED |
|-----------------|------|--------------|---------|-------|----------|----------|-----|
| DURANGO-SLED40 | LED | 40W | 24 | 2930 | 6.5 | 7.5 | |
| DURANGO-SLED60 | | 60W | 24 | 5524 | 6.5 | 7.5 | |
| DURANGO-SLED60 | | 60W | 32 | 6032 | 6.5 | 7.5 | |
| DURANGO-SLED80 | | 80W | 32 | 7748 | 6.6 | 7.6 | |
| DURANGO-SLED100 | | 100W | 48 | 9450 | 6.6 | 7.6 | |

Due to continuous improvements, specifications may change without prior notice.



Lens Application

| Reference | Destination | Light Distribution | Application |
|-----------|---|--|---|
| T2A |  |  | Asymtric light distribution for Narrow road. LED Chips: 2x2 |
| T3A |  |  | Asymtric light distribution for Residential street. LED Chips: 2x2 |
| T4A |  |  | Asymtric light distribution for wide area. LED Chips: 2x2 |
| T3 |  |  | Asymtric light distribution for urban road. LED Chips: 2x2 |
| T4 |  |  | Asymtric light distribution for motorway road. LED Chips: 2x2 |
| T5 |  |  | Asymtric light distribution for urban road. LED Chips: 1x15 |



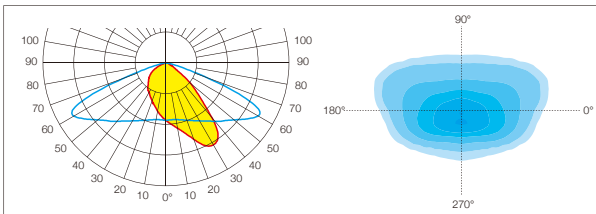
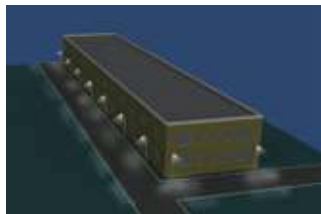
Reference

Destination

Light Distribution

Application

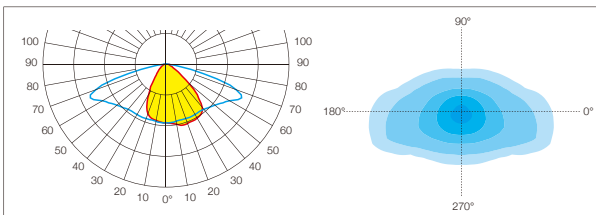
T12



Asymtric light distribution for Residential street.

LED Chips: 1x1

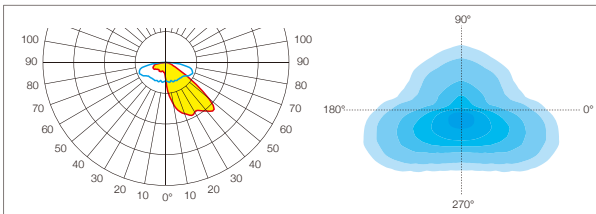
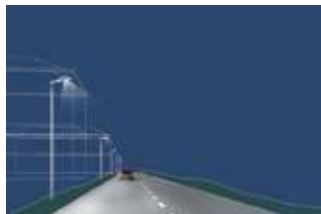
T13



Asymtric light distribution for urban road.

LED Chips: 1x1

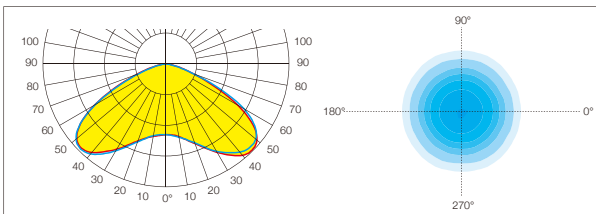
T14



Asymtric light distribution for middle area.

LED Chips: 1x1

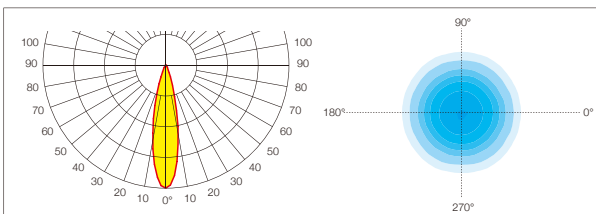
T1



Symtric light distribution for square, park, highbay lighting.

LED Chips: 2x2

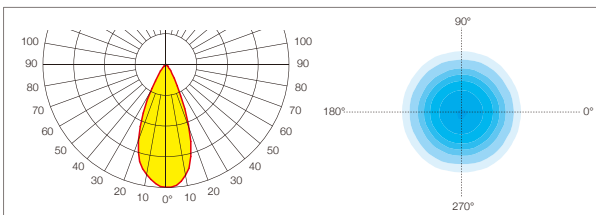
T25



Symtric light distribution for narrow angle flood, highbay lighting.

LED Chips: 2x2

T60



Symtric light distribution for middle angle flood, highbay lighting.

LED Chips: 2x2



JULIE SERIES



Description

350mA/500mA/750mA/1050mA

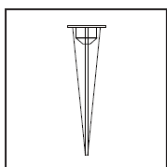
The JULIE series is a Ground mounted Spikes Luminaries in Power LED Version providing precision optical systems which gives very low glare rating, while reducing light pollution and specially designed for Landscapes and in unique structure design shape. JULIE Series luminaires are designed to offer functional, a wide range of lighting solutions and dramatic highlighting of the architectural facades, Landscapes, Trees through the superior finishing as well highest efficiency with a long service life.

This exterior ground Spikes luminaires can be specified as Heavy Duty Die Cast Aluminium Body and Housing covered by Anti Corrosion resistant with 304 or 316 Marine Grade Stainless Steel opener covering 5 Years of Warranty. It can achieve the desired effect in a wide range of applications with high quality optical systems and for direct lighting. This product provide soft, uniform, enhancing special lighting effect that blends into the space being lit, to maximizes light beauty.

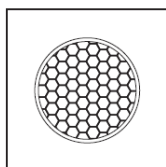
JULIE series is equipped with a uniquely designed for better protection and durability, easier installation and maintenance.

Dimensions

| | |
|-----------------------|---|
| Body: | Heavy Duty Die-cast aluminium. |
| Optical system: | Adopt modular light distribution lens, diffuser with super white, UV Resistant and Antiglare tempered Flat glass lens diffuser. |
| LED | Highest quality LEDs. Maintaining a 3-Step MacAdam ellipse one bin only, creating perfect LED color consistency. |
| LED Life | 50,000 Hrs or more based on Climate /Ambient Temperature |
| Gear plate: | Galvanized steel plate, button design for opened device. Built in Electronics Driver (Meanwell / OSRAM / Tridonic Atco / Philips / Inventronics / Eagle, etc. Durable Silicon Rubber Gasket. 3000/4000/6000K CCT. Excellent heat dissipation. Color Rendering Index is 80+. |
| Luminaire Control: | Quick on/off connector when be open. |
| Finishing: | Surface anti-ageing electrostatic spray processing, super resistance to corrosion and chemical protection. |
| Accessories | 300 - 900mm Extruding aluminum rod is available on request |
| Operating Temperature | -30°C to 50° C |



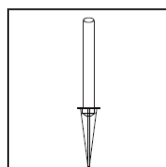
Spike



Honeycomb



Anchor Belt



Aluminum Rod



Clear

Frosted

Prismatic

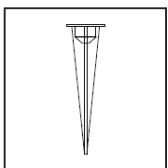
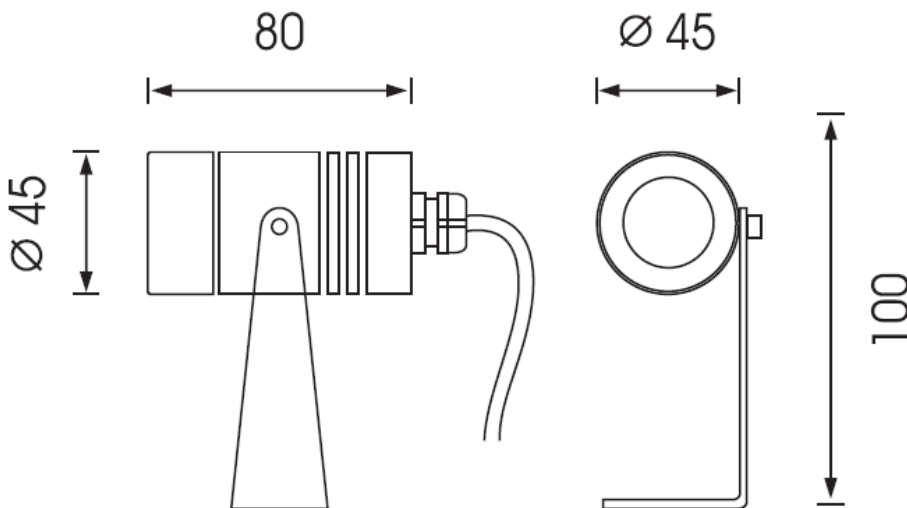
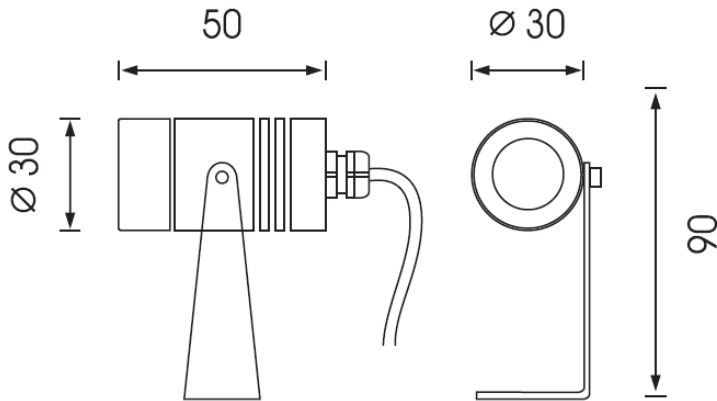


JULIE SERIES

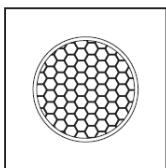


Description

350mA/500mA/750mA/1050mA



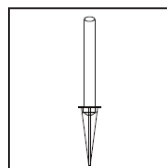
Spike



Honeycomb



Anchor Belt



Aluminum Rod



Clear

Frosted

Prismatic

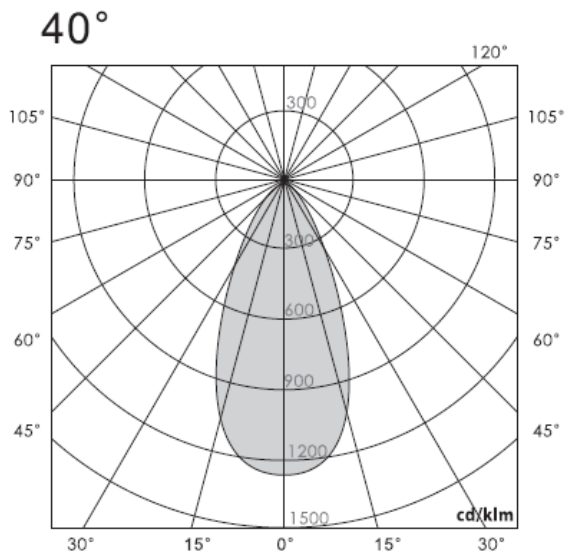
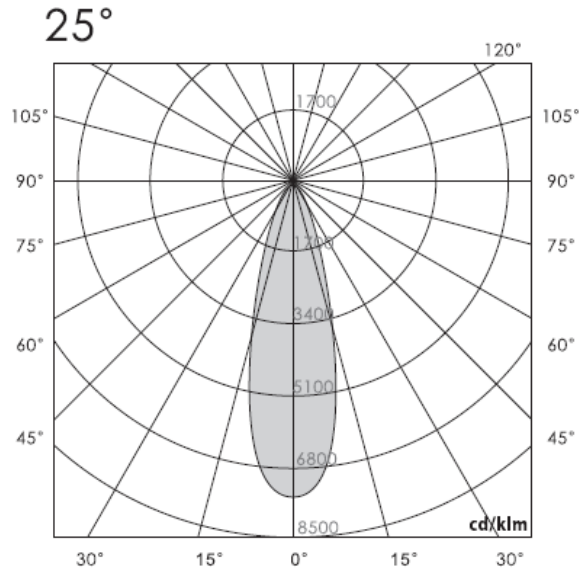
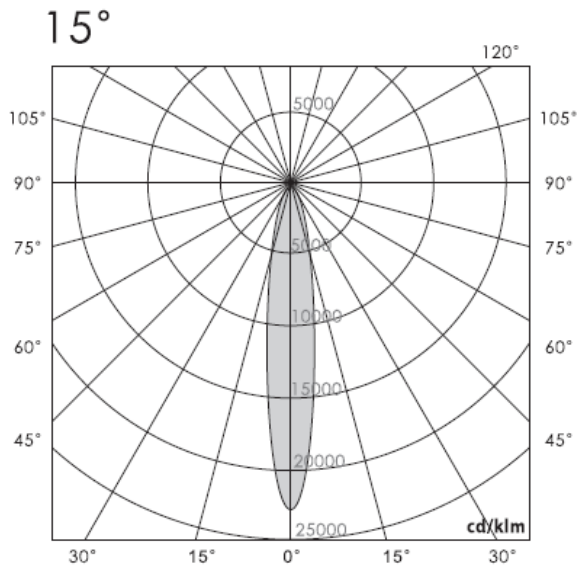


JULIE SERIES



Description

350mA/500mA/750mA/1050mA



Clear

Frosted

Prismatic



Duš to continuous improvšmšntš, specifications may change without prior notice.

JULIE SERIES

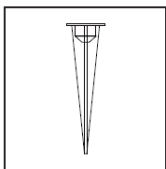


Description

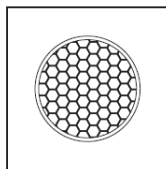
350mA/500mA/750mA/1050mA



Due to continuous improvements, specifications may change without prior notice.



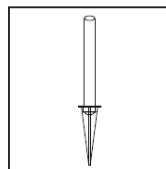
Spike



Honeycomb



Anchor Belt



Aluminum Rod



Clear

Frosted

Prismatic

Technology

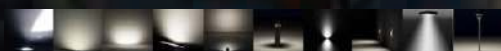
| Code | Lamp | LED Wattage | LED Color | Lumen | Voltage | Beam Optics |
|-------|------|-------------|-----------|-------|------------|-------------|
| JULIE | LED | 1W | 2700K | 70 | 100 - 277V | Narrow |
| | | 3W | 3000K | 210 | DC 24V | Medium |
| | | | 4000K | | Dimmable | Wide |
| | | | 5000K | | | |



CHAMELEON SERIES



Wattage can be customizedly increased / decreased as per Site requirement



CHAMELEON SERIES



Description

350mA/500mA/750mA/1050mA

The CHAMELEON series is a Ground mounted Flood Luminaries in Power LED Version providing precision optical systems which gives very low glare rating, while reducing light pollution and specially designed for Landscapes and in unique structure design shape. CHAMELEON Series luminaires are designed to offer functional, a wide range of lighting solutions and dramatic highlighting of the architectural facades, Landscapes, Trees through the superior finishing as well highest efficiency with a long service life.

This exterior ground Flood luminaries can be specified as Heavy Duty Die Cast Aluminium Body and Housing covered by Anti Corrosion resistant with 304 or 316 Marine Grade Stainless Steel opener covering 5 Years of Warranty. It can achieve the desired effect in a wide range of applications with high quality optical systems and for direct lighting. This product provide soft, uniform, enhancing special lighting effect that blends into the space being lit, to maximizes light beauty.

CHAMELEON series is equipped with a uniquely designed for better protection and durability, easier installation and maintenance.

| | |
|-----------------------|---|
| Body: | Heavy Duty Die-cast aluminium Alloy ADC 12 Grade used in AUTOMOBILE Industries. |
| Optical system: | Adopt modular light distribution lens, diffuser with super white, UV Resistant and Antiglare tempered Flat glass lens diffuser. |
| LED | Highest quality LEDs. Maintaining a 3-Step MacAdam ellipse one bin only, creating perfect LED color consistency. |
| LED Life | 50,000 Hrs or more based on Climate /Ambient Temperature |
| Voltage | DC 24V 100-240V AC Input. |
| Gear plate: | Galvanized steel plate, button design for opened device. Built in Electronics Driver (Meanwell / OSRAM / Tridonic Atco / Philips / Inventronics / Eagle, etc. Durable Silicon Rubber Gasket. 3000/4000/6000K CCT. Excellent heat dissipation. Color Rendering Index is 80+. |
| Luminaire Control: | Quick on/off connector when be open. |
| Finishing: | Surface anti-ageing electrostatic spray processing, super resistance to corrosion and chemical protection. H05R N-F wire with VDE & RVV Highest grade with waterproof & High temperature resistance. Cable Outlet IP 67 Grade. |
| Operating Temperature | -30°C to 50° C |



Due to continuous improvem\$nts, specifications may change without prior notice.



Wattage can be customizedly increased / decreased as per Site requirement

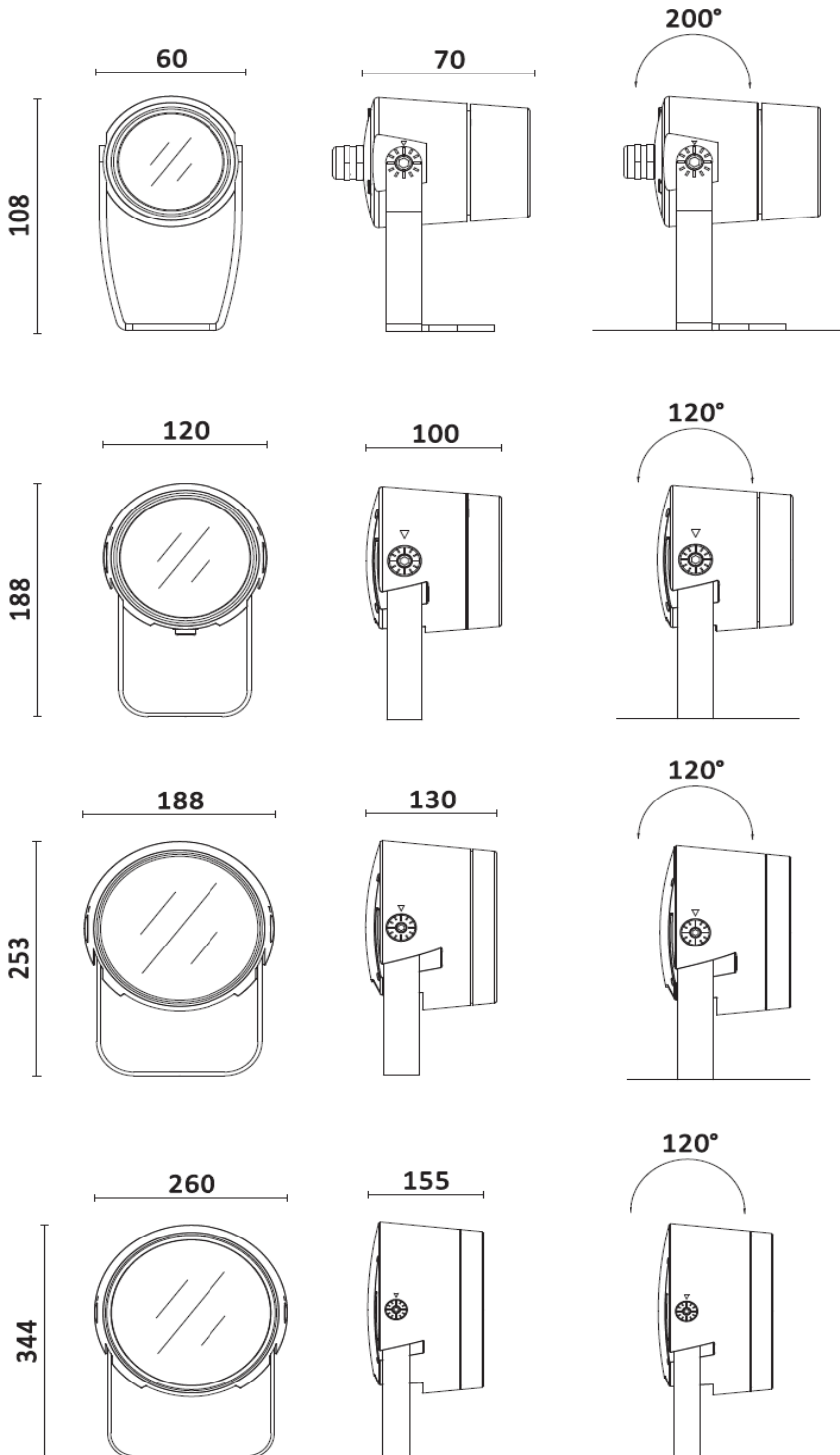


CHAMELEON SERIES



Description

350mA/500mA/750mA/1050mA



Wattage can be customizedly increased / decreased as per Site requirement



CHAMELEON SERIES



Description

350mA/500mA/750mA/1050mA



Du\$ to continuous improv\$ment\$nt\$, specifications may change without prior notice.



Wattage can be customizedly increased / decreased as per Site requirement

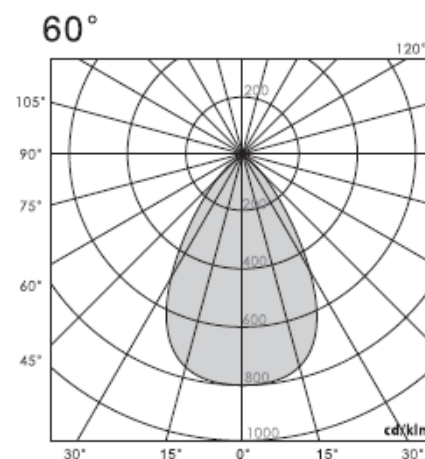
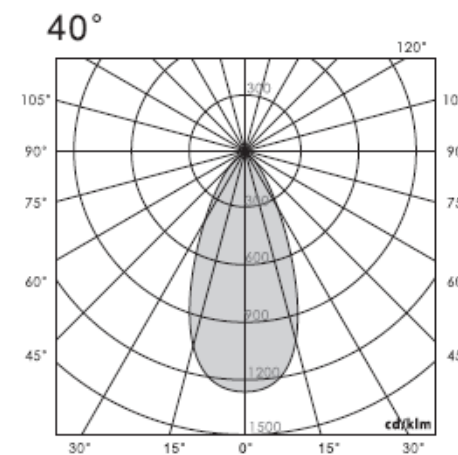
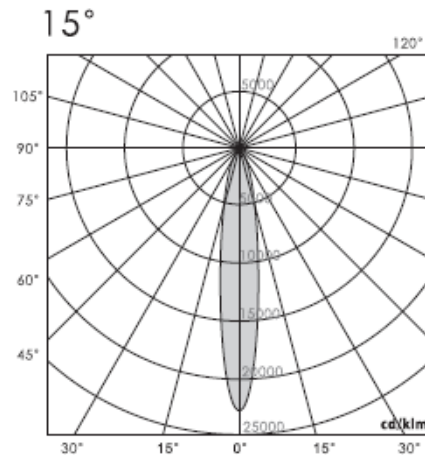
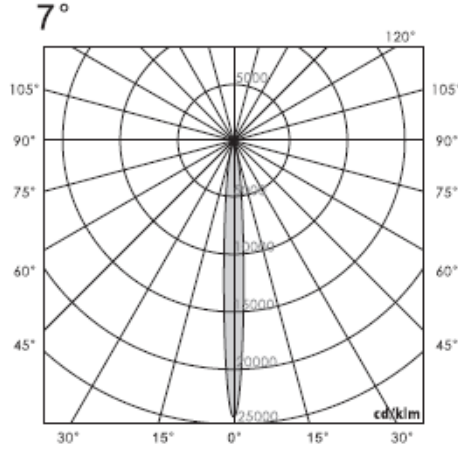
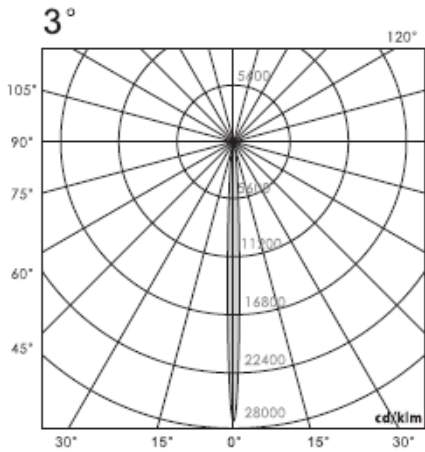


CHAMELEON SERIES



Description

350mA/500mA/750mA/1050mA



Wattage can be customizedly increased / decreased as per Site requirement



CHAMELEON SERIES



Due to continuous improvements, specifications may change without prior notice.



| Code | Lamp | LED Wattage | LED Color | Lumen | Voltage | Dia | LED |
|-----------|-----------|-----------------------|-------------------------------|-------|------------------|------------|-------|
| CHAMELEON | Power LED | 3W 6W 9W | 2700K 3000K 4000K 5000K | RGBW | 85-95Lumens/Watt | 100 - 277V | 60mm |
| | | 12W 18W 24W 30W | 2700K 3000K 4000K 5000K | | | DC 24V | 120mm |
| | | 15W 24W 30W | RGBW | | | | 120mm |
| | | 24W 30W 36W 48W | 2700K 3000K 4000K 5000K | | | | 188mm |
| | | 30W 36W 60W | RGBW | | | | 188mm |
| | | 72W 90W 108W | 2700K 3000K 4000K 5000K | | | | 260mm |
| | | 84W 108W 120W | RGBW | | | | 260mm |



Wattage can be customizedly increased / decreased as per Site requirement



PULSAR SERIES



Description

350mA/500mA/750mA/1050mA

The PULSAR series is a Ground mounted Spikes Luminaries in Power LED Version providing precision optical systems which gives very low glare rating, while reducing light pollution and specially designed for Landscapes and in unique structure design shape. PULSAR Series luminaires are designed to offer functional, a wide range of lighting solutions and dramatic highlighting of the architectural facades, Landscapes, Trees through the superior finishing as well highest efficiency with a long service life.

This exterior ground Spikes luminaries can be specified as Heavy Duty Die Cast Aluminium Body and Housing covered by Anti Corrosion resistant with 304 or 316 Marine Grade Stainless Steel opener covering 5 Years of Warranty. It can achieve the desired effect in a wide range of applications with high quality optical systems and for direct lighting. This product provide soft, uniform, enhancing special lighting effect that blends into the space being lit, to maximizes light beauty.

PULSAR series is equipped with a uniquely designed for better protection and durability, easier installation and maintenance.

| | |
|----------------------------|---|
| Body: | Heavy Duty Die-cast aluminium. |
| Optical system: | Adopt modular light distribution lens, diffuser with super white, UV Resistant and Antiglare tempered Flat glass lens diffuser. |
| LED | Highest quality LEDs. Maintaining a 3-Step MacAdam ellipse one bin only, creating perfect LED color consistency. |
| LED Life | 50,000 Hrs or more based on Climate /Ambient Temperature |
| Gear plate: | Galvanized steel plate, button design for opened device. Built in Electronics Driver (Meanwell / OSRAM / Tridonic Atco / Philips / Inventronics / Eagle, etc. Durable Silicon Rubber Gasket. 3000/4000/6000K CCT. Excellent heat dissipation. Color Rendering Index is 80+. |
| Luminaire control: | Quick on/off connector when be open. |
| Finishing: | Surface anti-ageing electrostatic spray processing, super resistance to corrosion and chemical protection. |
| Assembling height on Pole: | 4-6 m. |
| Fixing: | Floor Wall Pole, Angle can be adjustable. |
| Operating Temperature | -30°C to 50° |



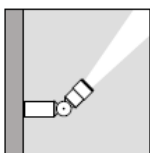
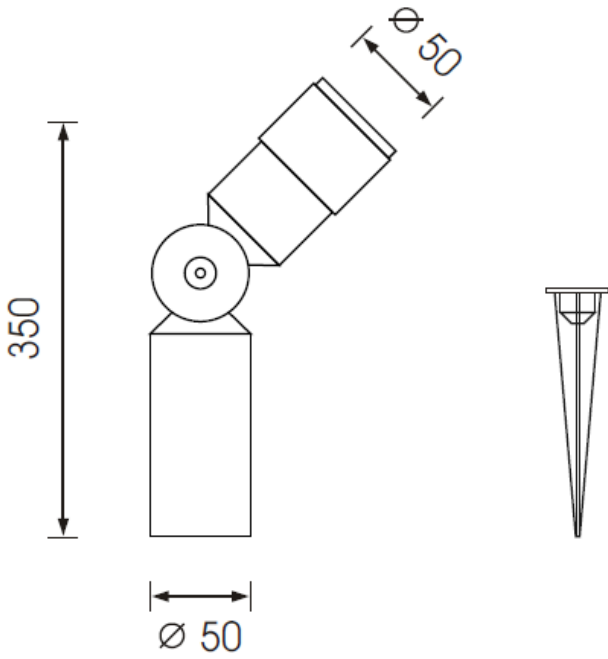
Clear


Frosted

Prismatic



PULSAR SERIES



with  3 x 1W/3W PowerLED
Monochromatic, 85-265VAC input



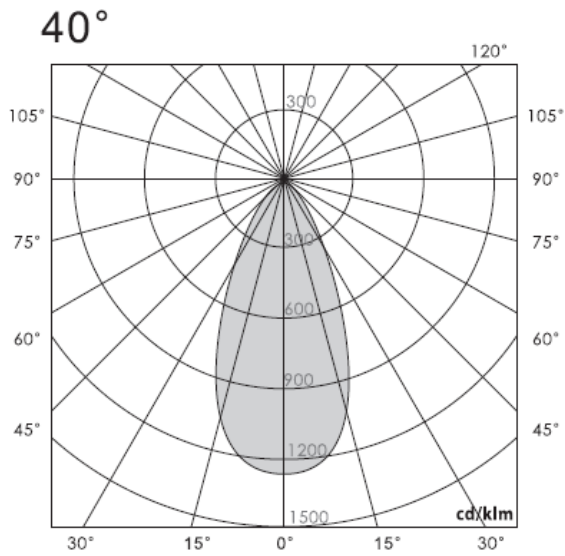
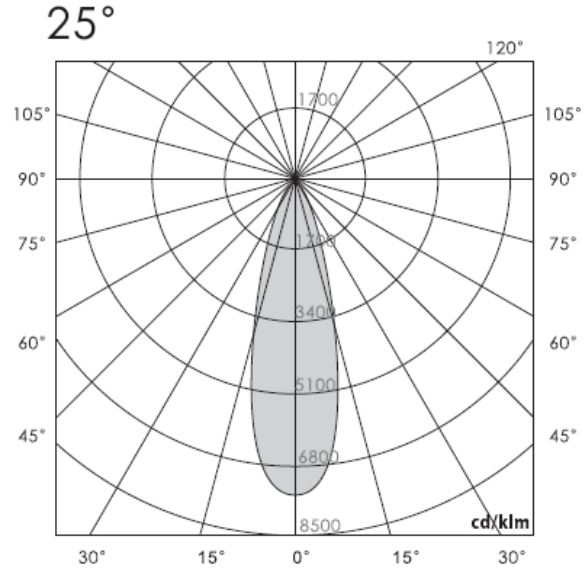
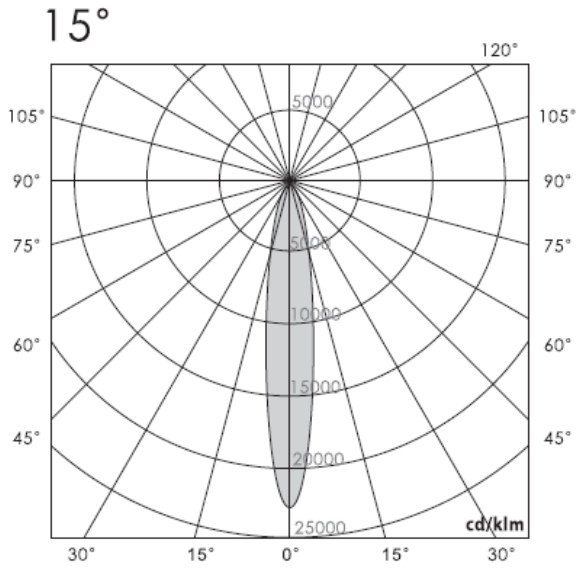
Clear

Frosted

Prismatic



PULSAR SERIES



Clear

Frosted

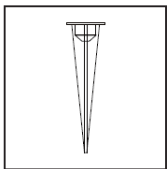
Prismatic



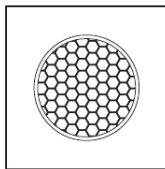
PULSAR SERIES



Due to continuous improvements, specifications may change without prior notice.



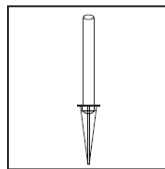
Spike



Honeycomb



Anchor Belt



Aluminum Rod



Clear

Frosted

Prismatic

Technology Data

| Code | Lamp | LED Wattage | LED Color | Input Voltage | Control Mode | Temperature | LED | Lumens |
|--------|-----------|-------------------|-----------|----------------------|--------------|-------------------|------|----------------------|
| PULSAR | Power LED | 3W (Single Color) | 2700K | AC 100 – 305V/ DC24V | CC/0-10V | -25° ~ 50° Degree | CREE | 70-80 Lum/Watt 3000K |
| | | 6W (Single Color) | 3000K | | | | | 80-90 Lum/Watt 4000K |
| | | 9W (Single Color) | 4000K | | | | | 85-95 Lum/Watt 5000K |
| | | | 5000K | | | | | |



LUTRON SERIES



Description

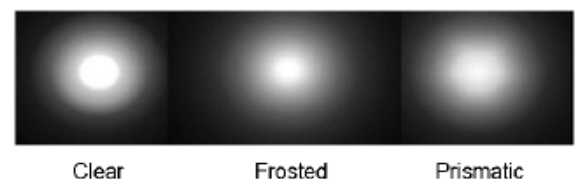
350mA/500mA/750mA/1050mA

The LUTRON series is a Ground mounted Spikes Luminaries in Power LED Version providing precision optical systems which gives very low glare rating, while reducing light pollution and specially designed for Landscapes and in unique structure design shape. LUTRON Series luminaires are designed to offer functional, a wide range of lighting solutions and dramatic highlighting of the architectural facades, Landscapes, Trees through the superior finishing as well highest efficiency with a long service life.

This exterior ground Spikes luminaires can be specified as Heavy Duty Die Cast Aluminium Body and Housing covered by Anti Corrosion resistant with 304 or 316 Marine Grade Stainless Steel opener covering 5 Years of Warranty. It can achieve the desired effect in a wide range of applications with high quality optical systems and for direct lighting. This product provide soft, uniform, enhancing special lighting effect that blends into the space being lit, to maximizes light beauty.

LUTRON series is equipped with a uniquely designed for better protection and durability, easier installation and maintenance.

| | |
|-----------------------|---|
| Body: | Heavy Duty Die-cast aluminium. |
| Optical system: | Adopt modular light distribution lens, diffuser with super white, UV Resistant and Antiglare tempered Flat glass lens diffuser. |
| LED | Highest quality LEDs. Maintaining a 3-Step MacAdam ellipse one bin only, creating perfect LED color consistency. |
| LED Life | 50,000 Hrs or more based on Climate /Ambient Temperature |
| Gear plate: | Galvanized steel plate, button design for opened device. Built in Electronics Driver (Meanwell / OSRAM / Tridonic Atco / Philips / Inventronics / Eagle, etc. Durable Silicon Rubber Gasket. 3000/4000/6000K CCT. Excellent heat dissipation. Color Rendering Index is 80+. |
| Luminaire Control: | Quick on/off connector when be open. |
| Finishing: | Surface anti-ageing electrostatic spray processing, super resistance to corrosion and chemical protection. |
| Operating Temperature | -30°C to 50° C |

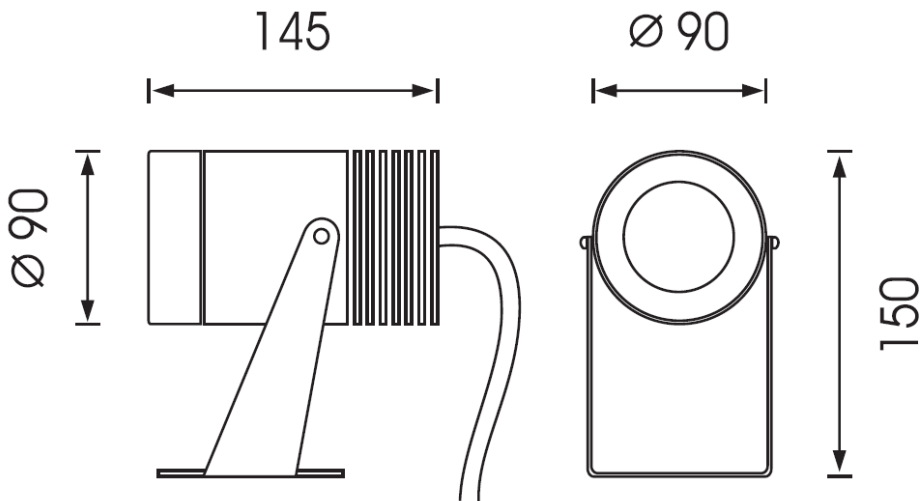
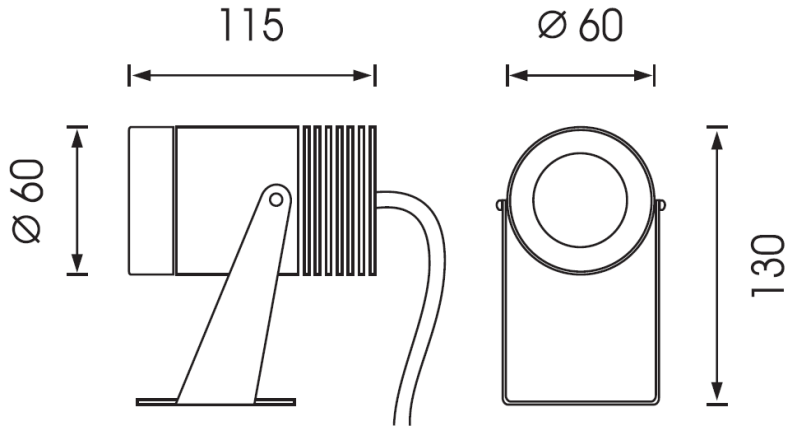


Wattage can be customizedly increased / decreased as per Site requirement



Due to continuous improvements, specifications may change without prior notice.

LUTRON SERIES

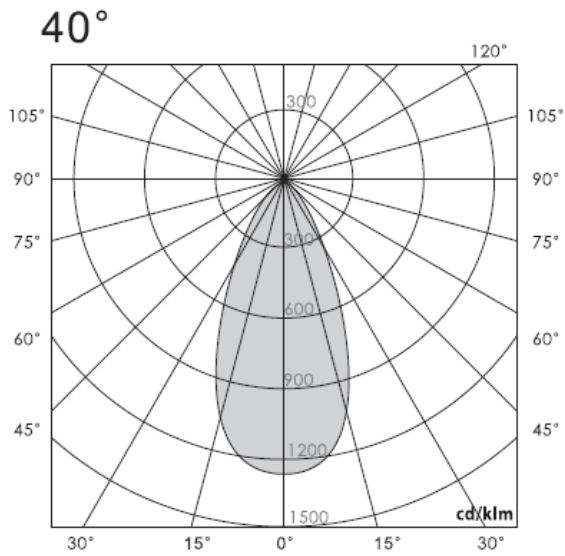
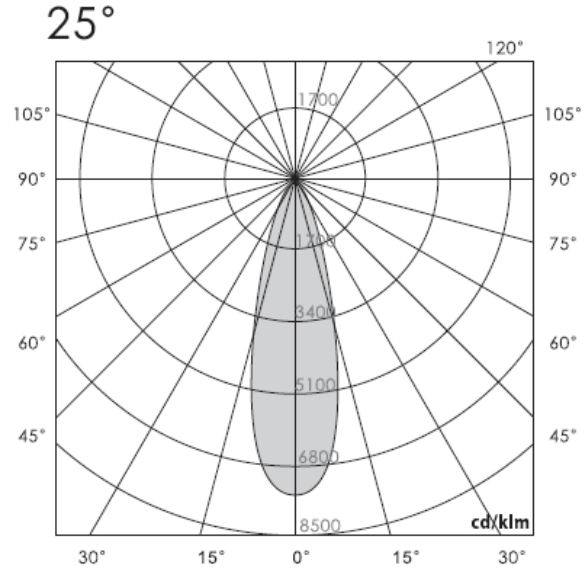
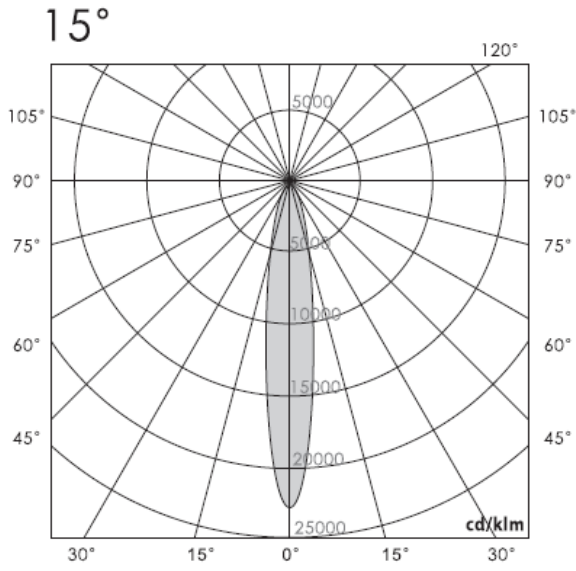


Clear Frosted Prismatic

Wattage can be customizedly increased / decreased as per Site requirement



LUTRON SERIES



Clear Frosted Prismatic

Wattage can be customizedly increased / decreased as per Site requirement

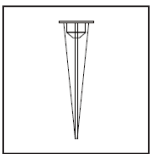


Due to continuous improvements, specifications may change without prior notice.

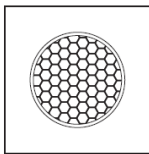
LUTRON SERIES



Due to continuous improvements, specifications may change without prior notice.



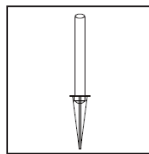
Spike



Honeycomb



Anchor Belt



Aluminum Rod



Clear

Frosted

Prismatic

Technology Data

| Code | Lamp | LED Wattage | LED Color | Lumen | Voltage | Beam Optics | LED |
|--------|------|----------------|-----------|-------------------|------------|-------------|-----|
| LUTRON | LED | 4.5W Power LED | 2700K | 80-90 Lumens/Watt | 100 - 277V | Very Narrow | |
| | | 7W Power LED | 3000K | | DC 24V | Narrow | |
| | | 12W Power LED | 4000K | | Dimmable | Medium | |
| | | | 5000K | | | Wide | |

Wattage can be customizedly increased / decreased as per Site requirement



SHARP SERIES



The SHARP series is a Ground mounted Spikes Luminaries in Power LED Version providing precision optical systems which gives very low glare rating, while reducing light pollution and specially designed for Landscapes and in unique structure design shape. SHARP Series luminaires are designed to offer functional, a wide range of lighting solutions and dramatic highlighting of the architectural facades, Landscapes, Trees through the superior finishing as well highest efficiency with a long service life.

This exterior ground Spikes luminaries can be specified as Heavy Duty Die Cast Aluminium Body and Housing covered by Anti Corrosion resistant with 304 or 316 Marine Grade Stainless Steel opener covering 5 Years of Warranty. It can achieve the desired effect in a wide range of applications with high quality optical systems and for direct lighting. This product provide soft, uniform, enhancing special lighting effect that blends into the space being lit, to maximizes light beauty.

SHARP series is equipped with a uniquely designed for better protection and durability, easier installation and maintenance.

Description

350mA/500mA/750mA/1050mA

| | |
|-----------------------|---|
| Body: | Heavy Duty Die-cast aluminium. |
| Optical system: | Adopt modular light distribution lens, diffuser with super white, UV Resistant and Antiglare tempered Flat glass lens diffuser. |
| LED | Highest quality LEDs. Maintaining a 3-Step MacAdam ellipse one bin only, creating perfect LED color consistency. |
| LED Life | 50,000 Hrs or more based on Climate /Ambient Temperature |
| Gear plate: | Galvanized steel plate, button design for opened device. Built in Electronics Driver (Meanwell / OSRAM / Tridonic Atco / Philips / Inventronics / Eagle, etc. Durable Silicon Rubber Gasket. 3000/4000/6000K CCT. Excellent heat dissipation. Color Rendering Index is 80+. |
| Luminaire Control: | Quick on/off connector when be open. |
| Finishing: | Surface anti-ageing electrostatic spray processing, super resistance to corrosion and chemical protection. |
| Operating Temperature | -30°C to 50° C |

Dimensions



Clear

Frosted

Prismatic

Wattage can be customizedly increased / decreased as per Site requirement



SHARP SERIES



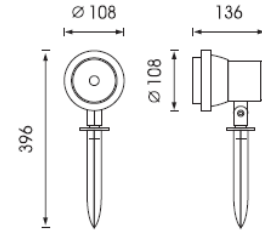
Description

350mA/500mA/750mA/1050mA

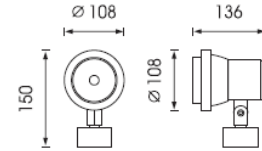


Technical Information

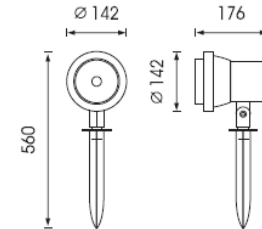
Power: 12W
 Temp: 3000K - 4000K - 6000K
 Beam Angle: 15° - 24° - 45°
 Surface Finish: White Black Silver Grey Graphite



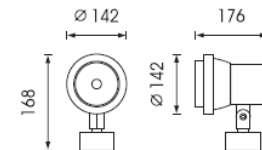
Power: 12W
 Temp: 3000K - 4000K - 6000K
 Beam Angle: 15° - 24° - 45°
 Surface Finish: White Black Silver Grey Graphite



Power: 26W
 Temp: 3000K - 4000K - 6000K
 Beam Angle: 15° - 24° - 45°
 Surface Finish: White Black Silver Grey Graphite



Power: 26W
 Temp: 3000K - 4000K - 6000K
 Beam Angle: 15° - 24° - 45°
 Surface Finish: White Black Silver Grey Graphite



Clear

Frosted

Prismatic

Wattage can be customizedly increased / decreased as per Site requirement



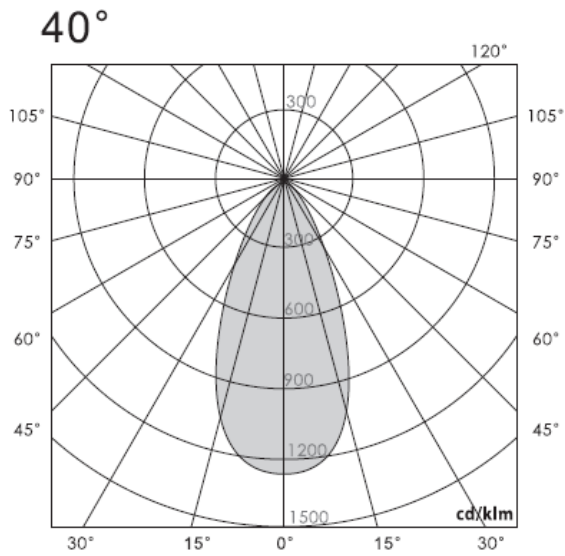
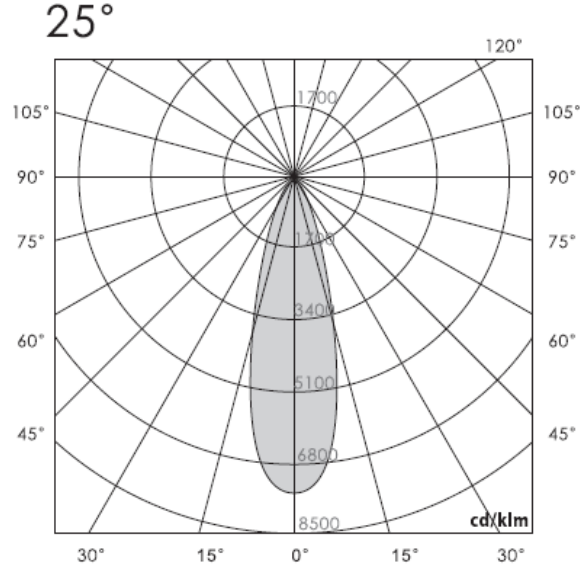
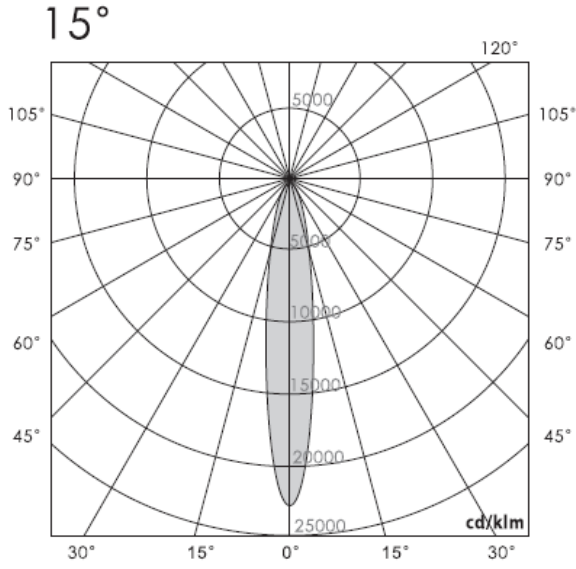
Due to continuous improvements, specifications may change without prior notice.

SHARP SERIES



Description

350mA/500mA/750mA/1050mA



Clear

Frosted

Prismatic

Wattage can be customizedly increased / decreased as per Site requirement

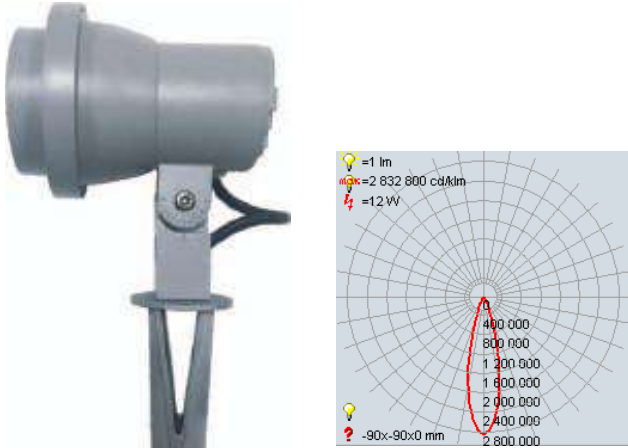


Due to continuous improvements, specifications may change without prior notice.

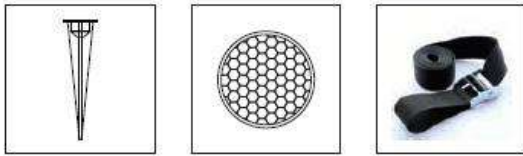
SHARP SERIES



Dimensions



Accessories



Spike

Honeycomb

Anchor Belt



Clear

Frosted

Prismatic

Technology Data

| Code | Lamp | LED Wattage | LED Color | Lumen | Voltage | Beam Optics | LED |
|-------|------|---------------|-----------|------------------|------------|-------------|-----|
| SHARP | LED | 12W Power LED | 2700K | 90 – 95 Lumens/W | 100 - 240V | Narrow | |
| | | 20W Power LED | 3000K | | 85 - 265V | Medium | |
| | | 26W Power LED | 4000K | | Dimmable | Wide | |
| | | 36W Power LED | 5000K | | DC 24V | | |

Wattage can be customizedly increased / decreased as per Site requirement



MINI HIPPO SERIES



Description

350mA/500mA/750mA/1050mA

The MINI HIPPO series is a Ground mounted Spikes Luminaries in Power LED Version providing precision optical systems which gives very low glare rating, while reducing light pollution and specially designed for Landscapes and in unique structure design shape. MINI HIPPO Series luminaires are designed to offer functional, a wide range of lighting solutions and dramatic highlighting of the architectural facades, Landscapes, Trees through the superior finishing as well highest efficiency with a long service life.

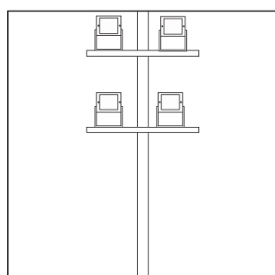
This exterior ground Spikes luminaires can be specified as Heavy Duty Die Cast Aluminium Body and Housing covered by Anti Corrosion resistant with 304 or 316 Marine Grade Stainless Steel opener covering 5 Years of Warranty. It can achieve the desired effect in a wide range of applications with high quality optical systems and for direct lighting. This product provide soft, uniform, enhancing special lighting effect that blends into the space being lit, to maximizes light beauty.

MINI HIPPO series is equipped with a uniquely designed for better protection and durability, easier installation and maintenance.

| | |
|-----------------------|---|
| Body: | Heavy Duty Die-cast aluminium. |
| Optical system: | Adopt modular light distribution lens, diffuser with super white, UV Resistant and Antiglare tempered Flat glass lens diffuser. |
| LED | Highest quality LEDs. Maintaining a 3-Step MacAdam ellipse one bin only, creating perfect LED color consistency. |
| LED Life | 50,000 Hrs or more based on Climate / Ambient Temperature |
| Gear plate: | Galvanized steel plate, button design for opened device. Built in Electronics Driver (Meanwell / OSRAM / Tridonic Atco / Philips / Inventronics / Eagle, etc. Durable Silicon Rubber Gasket. 3000/4000/6000K CCT. Excellent heat dissipation. Color Rendering Index is 80+. |
| Luminaire Control: | Quick on/off connector when be open. |
| Finishing: | Surface anti-ageing electrostatic spray processing, super resistance to corrosion and chemical protection. |
| Operating Temperature | -30°C to 50° C |
| Accessories | Recessing Box in High Density proolypropylene |



Dimensions



Clear Frosted Prismatic

Wattage can be customizedly increased / decreased as per Site requirement



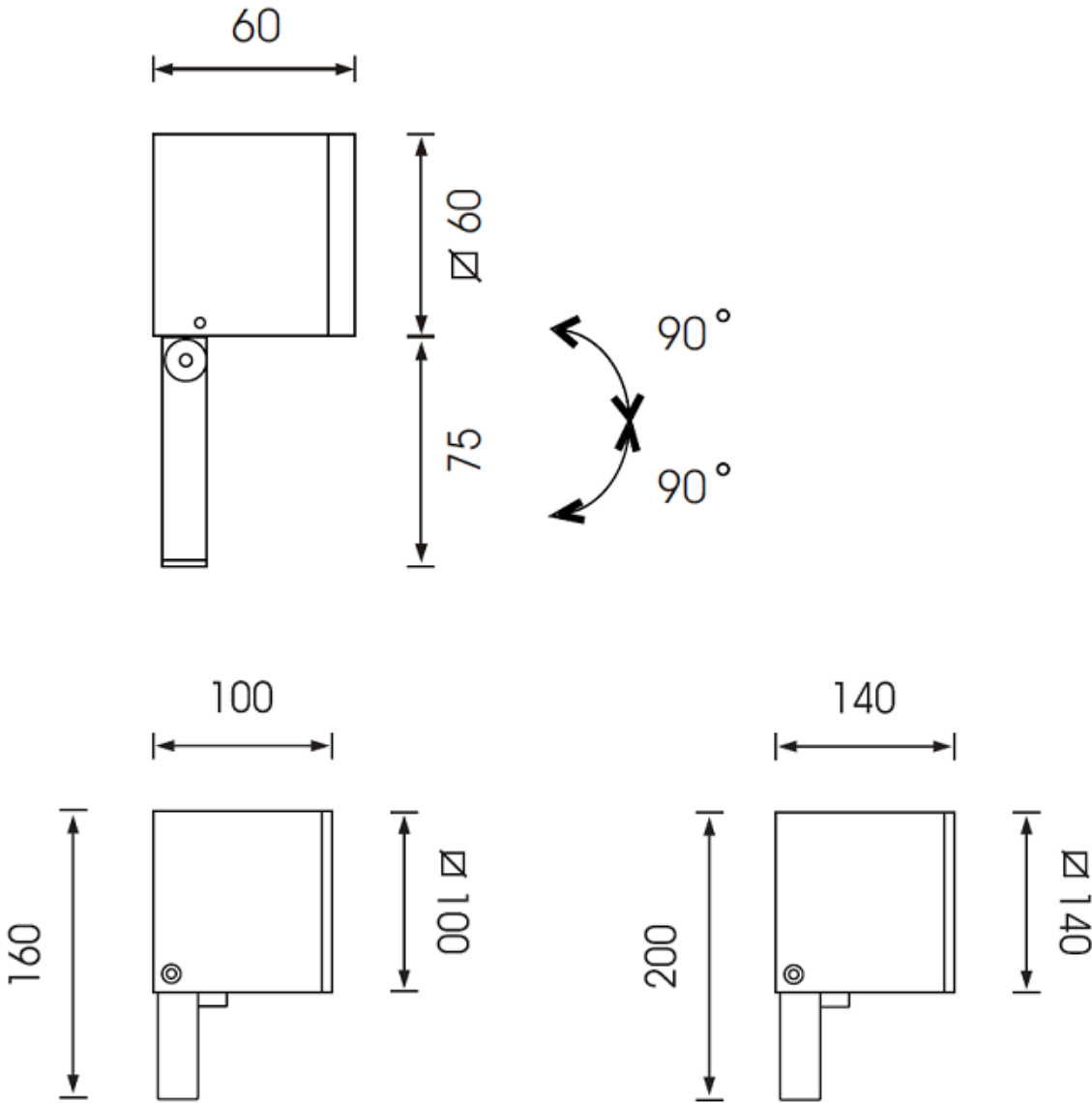
Due to continuous improvement, specifications may change without prior notice.

MINI HIPPO SERIES

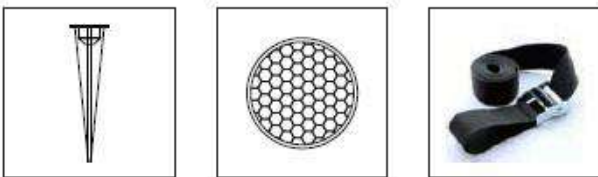


Description

350mA/500mA/750mA/1050mA



Accessories



Spike Honeycomb Anchor Belt



Clear Frosted Prismatic

Wattage can be customizedly increased / decreased as per Site requirement



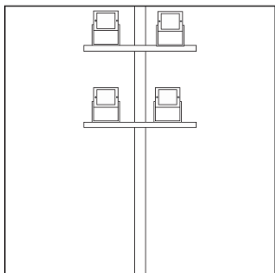
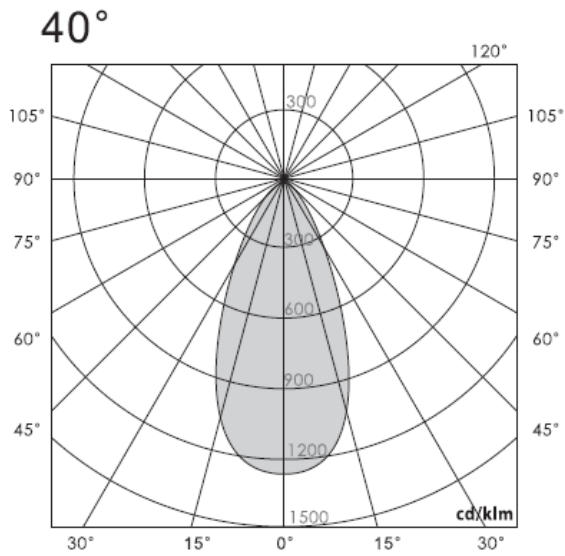
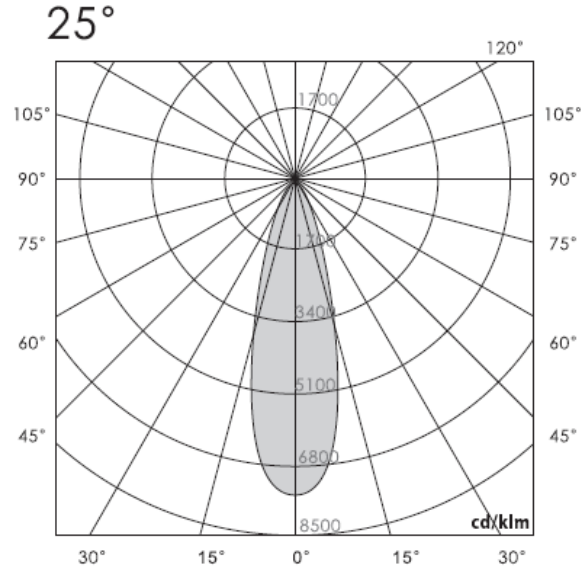
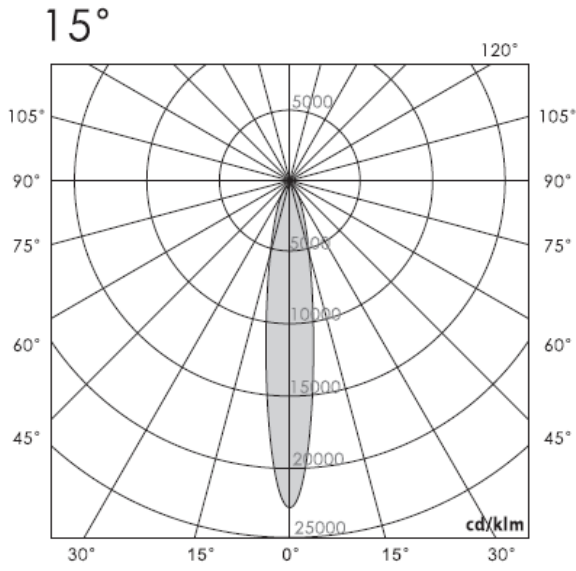
Due to continuous improvement, specifications may change without prior notice.

MINI HIPPO SERIES



Description

350mA/500mA/750mA/1050mA



Clear

Frosted

Prismatic

Wattage can be customizedly increased / decreased as per Site requirement



Due to continuous improvement, specifications may change without prior notice.

MINI HIPPO SERIES



Description

350mA/500mA/750mA/1050mA



Clear Frosted Prismatic

Technology Data

| Code | Lamp | LED Wattage | LED Color | Lumen | Voltage | Dimension | LED |
|------------|------|---------------------|-----------|---------------------|------------|-----------|-----|
| MINI HIPPO | LED | 3W - 7W Power LED | 2700K | 70 - 90 Lumens/Watt | 100 - 240V | 60mm | |
| | | 9W - 12W Power LED | 3000K | | Dimmable | 100mm | |
| | | 18W - 27W Power LED | 4000K | | DC 24V | 140mm | |
| | | | 5000K | | | | |

Wattage can be customizedly increased / decreased as per Site requirement



Due to continuous improvement, specifications may change without prior notice.

TOMFORD SERIES



Description

350mA/500mA/750mA/1050mA

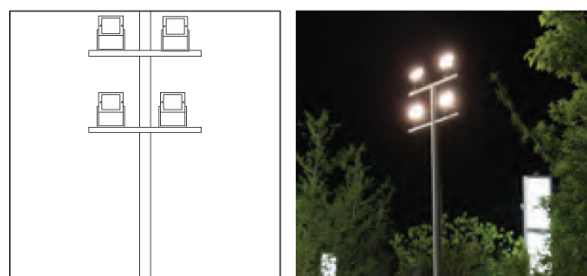
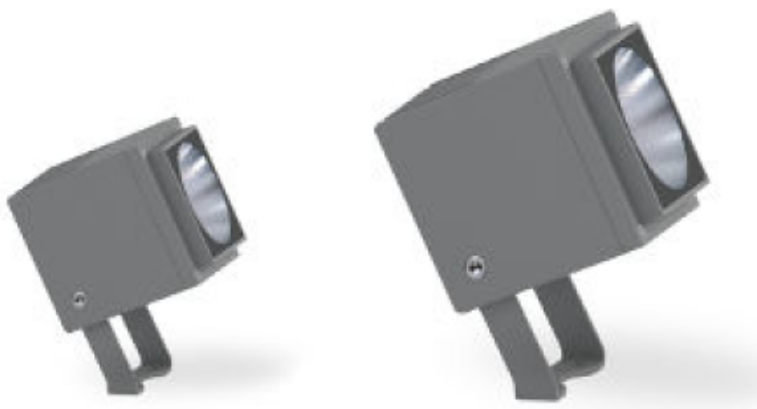
The TOMFORD series is a Ground mounted Spikes Luminaries in Power LED Version providing precision optical systems which gives very low glare rating, while reducing light pollution and specially designed for Landscapes and in unique structure design shape. TOMFORD Series luminaires are designed to offer functional, a wide range of lighting solutions and dramatic highlighting of the architectural facades, Landscapes, Trees through the superior finishing as well highest efficiency with a long service life.

This exterior ground Spikes luminaires can be specified as Heavy Duty Die Cast Aluminium Body and Housing covered by Anti Corrosion resistant with 304 or 316 Marine Grade Stainless Steel opener covering 5 Years of Warranty. It can achieve the desired effect in a wide range of applications with high quality optical systems and for direct lighting. This product provide soft, uniform, enhancing special lighting effect that blends into the space being lit, to maximizes light beauty.

TOMFORD series is equipped with a uniquely designed for better protection and durability, easier installation and maintenance.

Dimensions

| | |
|-----------------------|---|
| Body: | Heavy Duty Die-cast aluminium. |
| Optical system: | Adopt modular light distribution lens, diffuser with super white, UV Resistant and Antiglare tempered Flat glass lens diffuser. |
| LED | Highest quality LEDs. Maintaining a 3-Step MacAdam ellipse one bin only, creating perfect LED color consistency. |
| LED Life | 50,000 Hrs or more based on Climate /Ambient Temperature |
| Gear plate: | Galvanized steel plate, button design for opened device. Built in Electronics Driver (Meanwell / OSRAM / Tridonic Atco / Philips / Inventronics / Eagle, etc. Durable Silicon Rubber Gasket. 3000/4000/6000K CCT. Excellent heat dissipation. Color Rendering Index is 80+. |
| Luminaire Control: | Quick on/off connector when be open. |
| Finishing: | Surface anti-ageing electrostatic spray processing, super resistance to corrosion and chemical protection. |
| Operating Temperature | -30°C to 50° C |



Wattage can be customizedly increased / decreased as per Site requirement



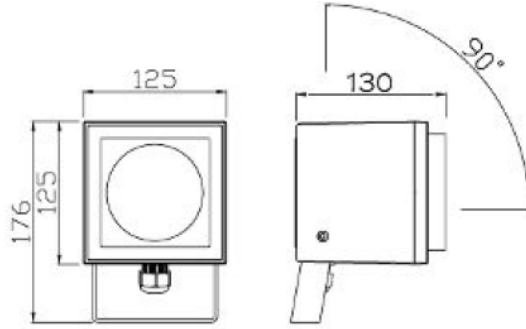
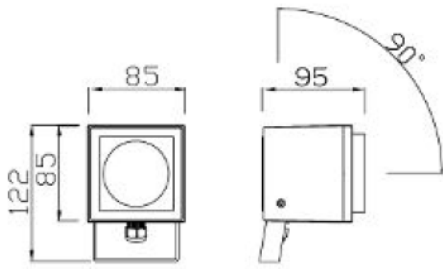
Due to continuous improvement, specifications may change without prior notice.

TOMFORD SERIES

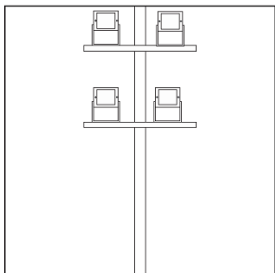


Description

350mA/500mA/750mA/1050mA



Due to continuous improvement, specifications may change without prior notice.



Wattage can be customizedly increased / decreased as per Site requirement

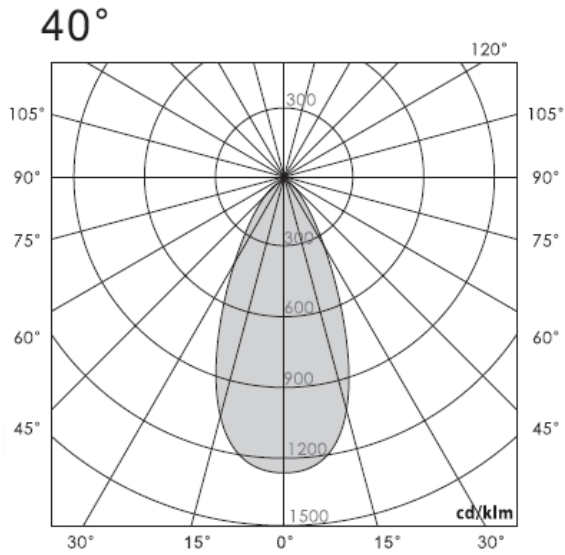
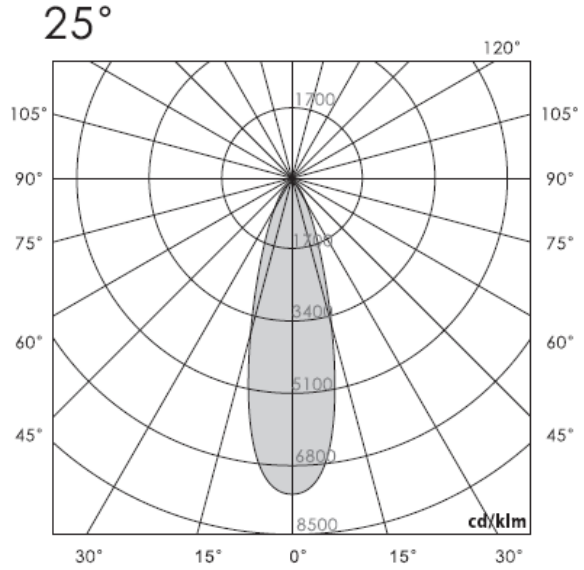
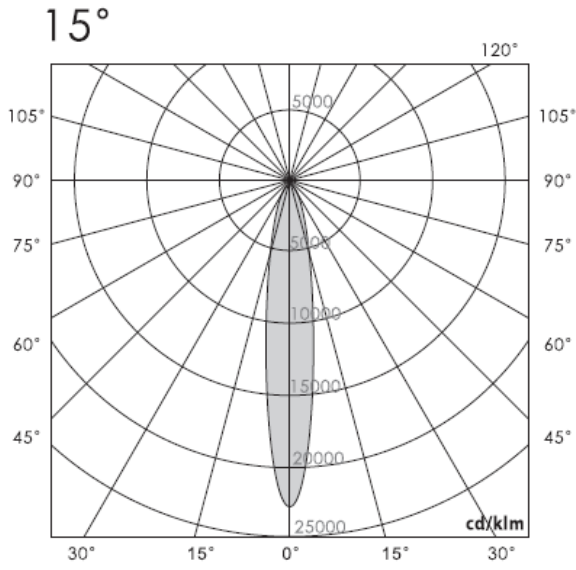


TOMFORD SERIES



Description

350mA/500mA/750mA/1050mA



Due to continuous improvement, specifications may change without prior notice.



TOMFORD SERIES



Description

350mA/500mA/750mA/1050mA



Accessories



Technology Data

| Code | Lamp | LED Wattage | LED Color | Lumen | Voltage | Beam Optics | LED |
|---------|------|---------------|-----------|------------------|------------|-------------|-----|
| TOMFORD | LED | 9W Power LED | 2700K | 90 – 95 Lumens/W | 100 - 240V | Narrow | |
| | | 22W Power LED | 3000K | | 85 - 265V | Medium | |
| | | | 4000K | | Dimmable | Wide | |
| | | | 5000K | | DC 24V | | |

Wattage can be customizedly increased / decreased as per Site requirement





Wattage can be customizedly increased / decreased as per Site requirement





DOT SPOT SERIES



Floodlights for bridge and other building landscape illumination. High quality light without glare. Light distribution: narrow and wide beam

The DOT SPOT series is a Wall or Floor mounted Heavy duty Luminaires in Power LED Version providing precision optical systems which gives very low glare rating, while reducing light pollution and specially designed for Landscapes and in unique structure design shape. DOT SPOT Series luminaires are designed to offer functional, a wide range of lighting solutions and dramatic highlighting of the architectural High Rise Towers, High Mast Pole through the superior finishing as well highest efficiency with a long service life.

This exterior Flood luminaires can be specified as Heavy Duty Die Cast Aluminium Body and Housing covered by Anti Corrosion resistant with 304 or 316 Marine Grade Stainless Steel opener covering 5 Years of Warranty. It can achieve the desired effect in a wide range of applications with high quality optical systems and for direct lighting. This product provide soft, uniform, enhancing special lighting effect that blends into the space being lit, to maximizes light beauty.

DOT SPOT series is equipped with a uniquely designed for better protection and durability, easier installation and maintenance.

Dimensions

Description

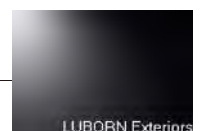
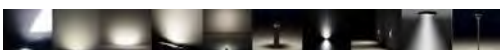
350mA/500mA/750mA/1050mA

| | |
|-----------------------|---|
| Body: | Heavy Duty Die Cast Aluminium Body and housing.. |
| Optical system: | Adopt modular light distribution lens, diffuser with super white, UV Resistant and Antiglare tempered Flat glass lens diffuser. |
| LED | Highest quality LEDs. Maintaining a 3-Step MacAdam ellipse one bin only, creating perfect LED color consistency. ON-OFF / DALI / DMX / RGBW |
| LED Life | 50,000 Hrs or more based on Climate / Ambient Temperature |
| Gear plate: | Galvanized steel plate, button design for opened device. Built in Electronics Driver (Meanwell / OSRAM / Tridonic Atco / Philips / Inventronics / Eagle, etc. Durable Silicon Rubber Gasket. 3000/4000/6000K CCT. Excellent heat dissipation. Color Rendering Index is 80+. |
| Luminaire Control: | Quick on/off connector when be open. |
| Finishing: | Surface anti-ageing electrostatic spray processing, super resistance to corrosion and chemical protection. |
| Anti vibration grade: | 1000 thousand vibration tests of 5G / 15Hz / 3 axis. |
| Nominal efficacy: | 110-135 Lm/W |
| CRI: | 70Ra / 80Ra / 90Ra |
| Operating Temperature | -30°C to 50° C |

- Better luminaire design.
- Better LED quality selection.
- Better PCB circuit design.
- Better heat sink design.
- Better optical lens selection.
- Better and safer connection to the driver.
- Triple surge protection.
- Long life guarantee.



The heat dissipation system was designed and manufactured to allow LED operation at adequate temperatures and guarantee excellent performance / efficiency and long life.



DOT SPOT SERIES



Floodlights for bridge and other building landscape illumination. High quality light without glare. Light distribution: narrow and wide beam



Normally Type

Decorative plate



"A" Type

Soill rina

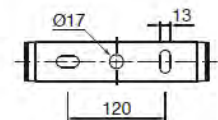
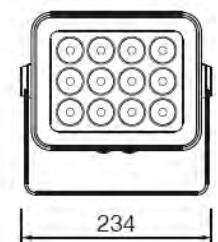
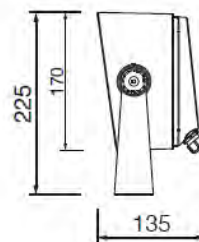
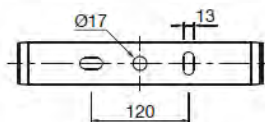
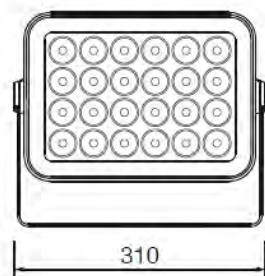
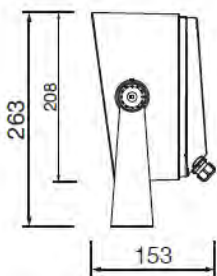


"B" Type

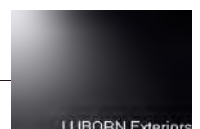
Honeycomb louvre



The design has a variety of optical accessories to option, providing the most effective lighting solution for visual comfort, avoiding unnecessary glare and reducing light pollution.



The heat dissipation system was designed and manufactured to allow LED operation at adequate temperatures and guarantee excellent performance / efficiency and long life.



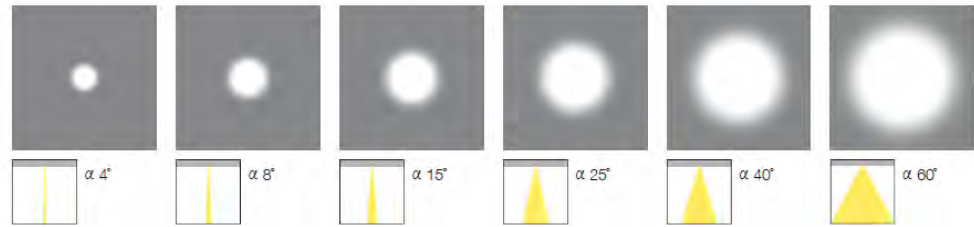
DOT SPOT SERIES



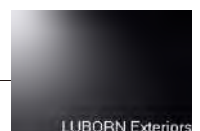
Floodlights for bridge and other building landscape illumination. High quality light without glare. Light distribution: narrow and wide beam

- Better luminaire design.
- Better LED quality selection.
- Better PCB circuit design.
- Better heat sink design.
- Better optical lens selection.
- Better and safer connection to the driver.
- Triple surge protection.
- Long life guarantee.

Optics



The heat dissipation system was designed and manufactured to allow LED operation at adequate temperatures and guarantee excellent performance / efficiency and long life.



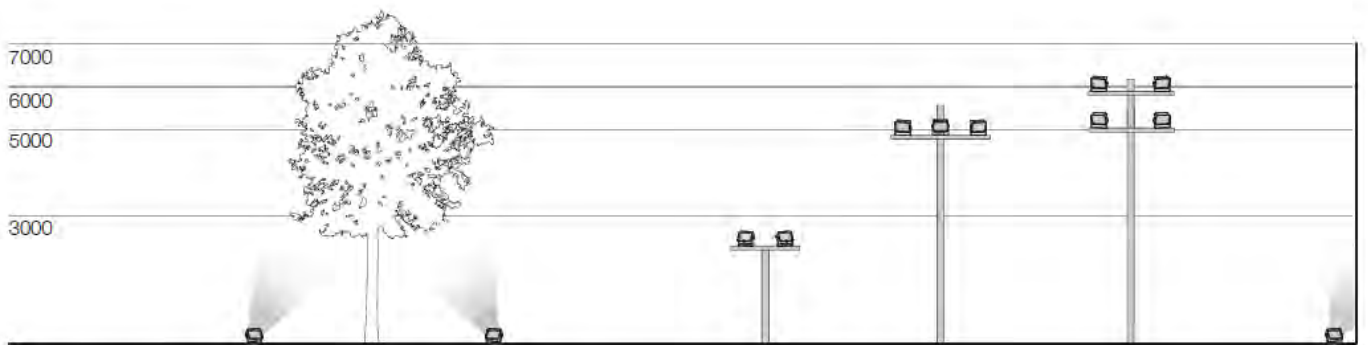
DOT SPOT SERIES



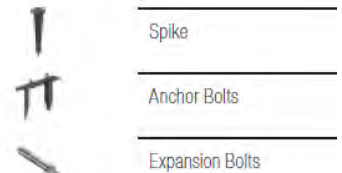
Floodlights for bridge and other building landscape illumination. High quality light without glare. Light distribution: narrow and wide beam

- Better luminaire design.
- Better LED quality selection.
- Better PCB circuit design.
- Better heat sink design.
- Better optical lens selection.
- Better and safer connection to the driver.
- Triple surge protection.
- Long life guarantee.

Applications

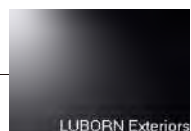
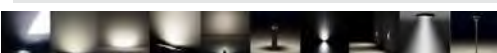
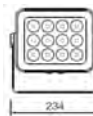


Accessories



The heat dissipation system was designed and manufactured to allow LED operation at adequate temperatures and guarantee excellent performance / efficiency and long life.

| Code | Lamp | LED Wattage | LED Color | Voltage |
|----------|------------|----------------|-------------|--------------------------|
| DOT SPOT | MONOCHROME | 25W - 12 LEDs | 2700K 3000K | DC 24V 100-240V AC Input |
| | | 40W - 12 LEDs | 4000K 5000K | |
| | | 50W - 12 LEDs | RGBW | |
| | | 50W - 24 LEDs | 2700K 3000K | |
| | | 75W - 24 LEDs | 4000K 5000K | |
| | | 100W - 24 LEDs | RGBW | |



DOT SPOT SERIES

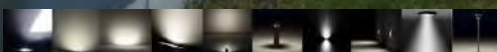


Floodlights for bridge and other building landscape illumination. High quality light without glare. Light distribution: narrow and wide beam

Better luminaire design.
 Better LED quality selection. -Better PCB circuit design.
 Better heat sink design.

Better optical lens selection.
 Better and safer connection to the driver.
 Triple surge protection.
 Long life guarantee.

The heat dissipation system was designed and manufactured to allow LED operation at adequate temperatures and guarantee excellent performance / efficiency and long life.



DOT SPOT SERIES



Floodlights for bridge and other building landscape illumination. High quality light without glare. Light distribution: narrow and wide beam

- Better luminaire design.
- Better LED quality selection.
- Better PCB circuit design.
- Better heat sink design.
- Better optical lens selection.
- Better and safer connection to the driver.
- Triple surge protection.
- Long life guarantee.

The heat dissipation system was designed and manufactured to allow LED operation at adequate temperatures and guarantee excellent performance / efficiency and long life.



STELLAR SERIES



Symmetric | Asymmetric

Floodlights for bridge and other building landscape illumination. High quality light without glare. Light distribution: narrow, symmetric and asymmetric beam

| | Description | 350mA/500mA/750mA/1050mA |
|--|--|--------------------------|
| <p>The STELLAR series is a Wall mounted Heavy duty Luminaires in Power LED Version providing precision optical systems which gives very low glare rating, while reducing light pollution and specially designed for Landscapes and in unique structure design shape. STELLAR Series luminaires are designed to offer functional, a wide range of lighting solutions and dramatic highlighting of the architectural Tennis Court, Landscapes, High Mast Pole through the superior finishing as well highest efficiency with a long service life.</p> <p>This exterior Flood luminaires can be specified as Heavy Duty Die Cast Aluminium Body and Housing covered by Anti Corrosion resistant with 304 or 316 Marine Grade Stainless Steel opener covering 5 Years of Warranty. It can achieve the desired effect in a wide range of applications with high quality optical systems and for direct lighting. This product provide soft, uniform, enhancing special lighting effect that blends into the space being lit, to maximizes light beauty.</p> <p>STELLAR series is equipped with a uniquely designed for better protection and durability, easier installation and maintenance.</p> | <p>Body: Heavy Duty Die-cast aluminium.</p> <p>Optical system: Adopt modular light distribution lens, diffuser with super white, UV Resistant and Antiglare tempered Flat glass lens diffuser.</p> <p>LED: Highest quality LEDs. Maintaining a 3-Step MacAdam ellipse one bin only, creating perfect LED color consistency.</p> <p>LED Life: 50,000 Hrs or more based on Climate /Ambient Temperature</p> <p>Gear plate: Galvanized steel plate, button design for opened device. Built in Electronics Driver (Meanwell / OSRAM / Tridonic Atco / Philips / Inventronics / Eagle, etc. Durable Silicon Rubber Gasket. 3000/4000/6000K CCT. Excellent heat dissipation. Color Rendering Index is 80+.</p> <p>Luminaire Control: Quick on/off connector when be open.</p> <p>Finishing: Surface anti-ageing electrostatic spray processing, super resistance to corrosion and chemical protection.</p> <p>Operating Temperature -30°C to 50° C</p> | |



Dimensions



- Better luminaire design.
- Better LED quality selection. -Better PCB circuit design.
- Better heat sink design.
- Better optical lens selection.
- Better and safer connection to the driver.
- Triple surge protection.
- Long life guarantee.



Symmetric LED optical for lens



Asymmetric LED optical for lens



Symmetric LED optical for reflector



Asymmetric LED optical for reflector



Due to continuous improvements, specifications may change without prior notice.

STELLAR SERIES



Symmetric | Asymmetric

Floodlights for bridge and other building landscape illumination. High quality light without glare. Light distribution: narrow, symmetric and asymmetric beam



Special heatsink design, it helps to have a good heat radiation and it have good cleaning effect by itself.



rotatable mounting, angle can be ajustable.



RGB DMX512 control, Various control mode combination.



Due to continuous improvements, specifications may change without prior notice.

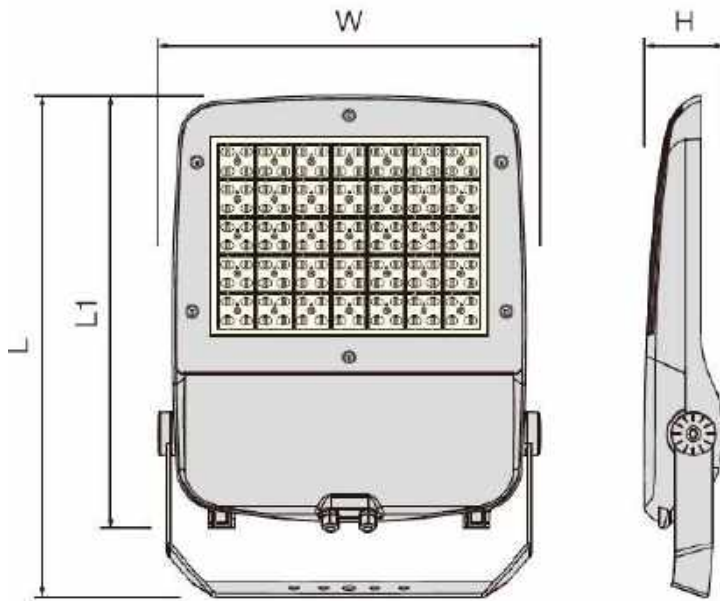


STELLAR SERIES



Symmetric | Asymmetric

Floodlights for bridge and other building landscape illumination. High quality light without glare. Light distribution: narrow, symmetric and asymmetric beam



| Code | L | L1 | W | H |
|----------------|-----|-----|-----|-----|
| LE-STELLAR(L) | 730 | 660 | 560 | 108 |
| LE-STELLAR(M) | 594 | 508 | 461 | 94 |
| LE-STELLAR(S) | 488 | 416 | 386 | 81 |
| LE-STELLAR(S1) | 390 | 356 | 282 | 73 |



MICRO ORION SERIES



Frameless

The MICRO ORION series is a new frameless Inground Micro Size InGround Luminaries in Soft and High LED or RGB Version specially designed for Pool Deck, Pathway, Landscapes, Landscapes and in unique structure design shape. MICRO ORION Series luminaires are designed to offer functional, a wide range of lighting solutions and dramatic highlighting of the architectural facades or Landscapes. through the superior design and finishing as well highest efficiency with a long service life.

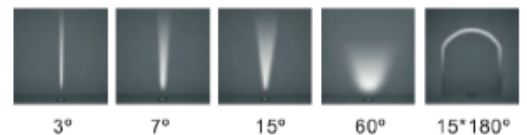
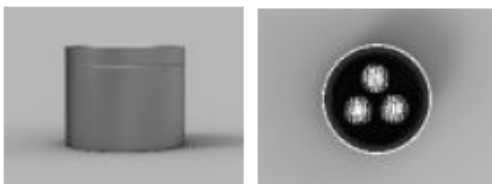
This exterior Micro Size Frameless Inground luminaries can be specified as Main 316 Marine Grade Stainless steel Body and Housing covered by Anti Corrosion resistant covering 5 Years of Warranty. It can achieve the desired effect in a wide range of applications with high quality optical systems and for direct lighting. This product provide soft, uniform, enhancing special lighting effect that blends into the space being lit, to maximizes light beauty.

MICRO ORION SERIES series is equipped with a uniquely designed or better protection and durability easier installation and maintenance

Description

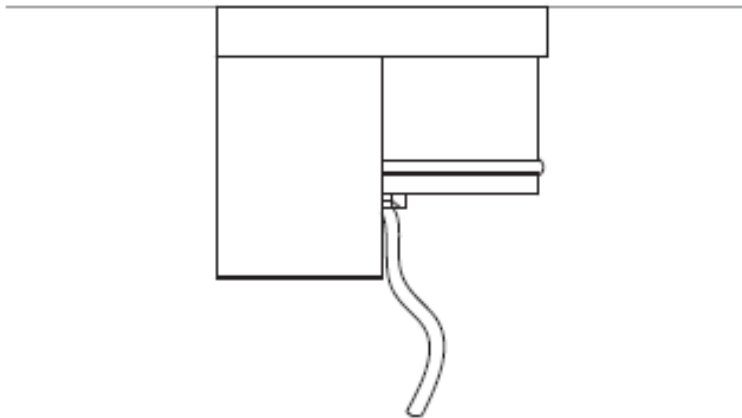
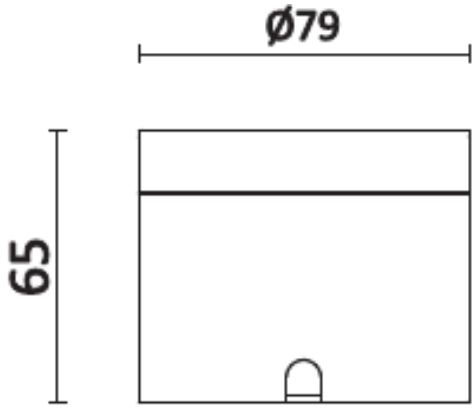
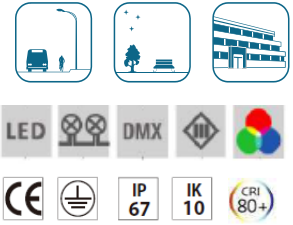
350mA/500mA/750mA/1050mA

| | |
|-----------------------|---|
| Body: | Framless 316 Grade Stainless Steel Body with recessing box.. |
| Optical system: | Adopt modular light distribution lens, diffuser with super white, UV Resistant and Antiglare tempered Flat glass lens diffuser. |
| LED | Highest quality LEDs. Maintaining a 3-Step MacAdam ellipse one bin only, creating perfect LED color consistency. |
| LED Life | 50,000 Hrs or more based on Climate /Ambient Temperature |
| Gear plate: | Galvanized steel plate, button design for opened device. Built in Electronics Driver (Meanwell / OSRAM / Tridonic Atco / Philips / Inventronics / Eagle, etc. Durable Silicon Rubber Gasket. 3000/4000/6000K CCT. Excellent heat dissipation. Color Rendering Index is 80+. |
| Luminaire Control: | Quick on/off connector when be open. |
| Finishing: | Surface anti-ageing electrostatic spray processing, super resistance to corrosion and chemical protection. |
| Operating Temperature | -30°C to 50° C |



Due to continuous improvement, specifications may change without prior notice.

MICRO ORION SERIES



Technology

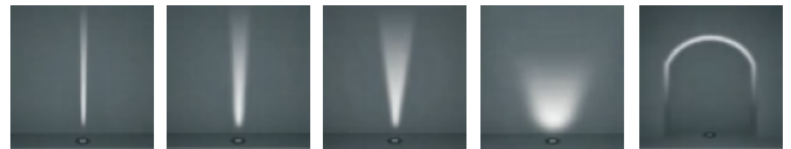
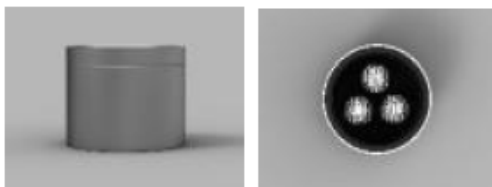
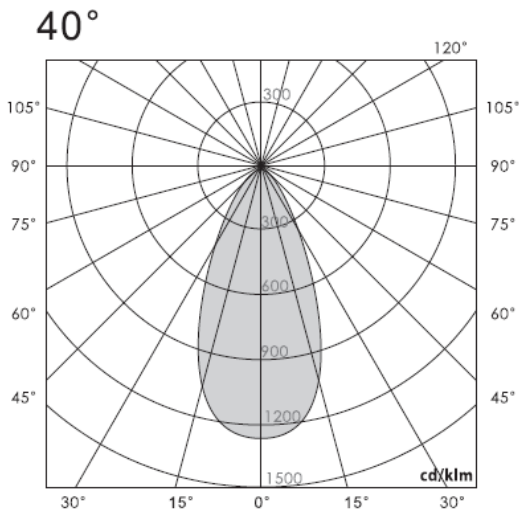
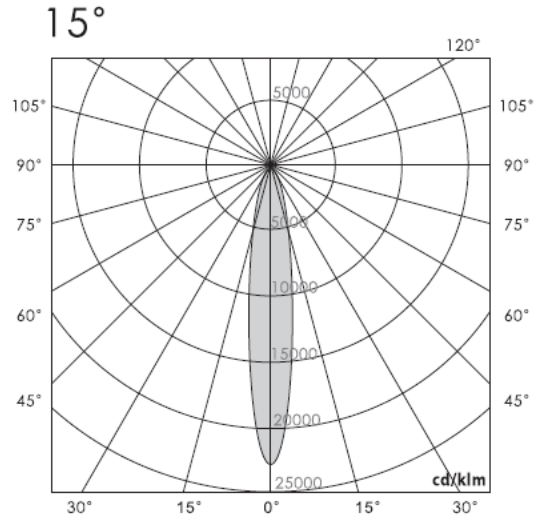
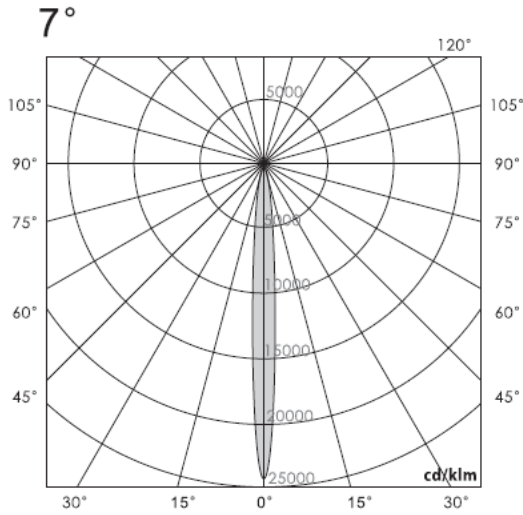
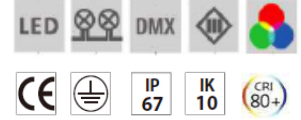


3° 7° 15° 60° 15*180°



Du\$ to continuous improv\$ in\$ n\$ t\$ s, specifications may change without prior notice.

MICRO ORION SERIES



Technology

| Code | Lamp | LED Wattage | LED Color | Lumen | Voltage |
|-------------|------|-------------|-----------|---------------------|---------|
| MICRO ORION | LED | 3W | 2700K | 60 - 70 Lumens/Watt | DC 24V |
| | | 6W | 3000K | | |
| | | | 4000K | | |
| | | | 5000K | | |
| | | | RGB | | |



Due to continuous improvement, specifications may change without prior notice.



MICRO CORAL SERIES



Frameless

The MICRO CORAL series is a new frameless Inground Micro Size InGround Luminaires in Soft and High LED or RGB Version specially designed for Pool Deck, Pathway, Landscapes, Landscapes and in unique structure design shape. MICRO CORAL Series luminaires are designed to offer functional, a wide range of lighting solutions and dramatic highlighting of the architectural facades or Landscapes. through the superior design and finishing as well highest efficiency with a long service life.

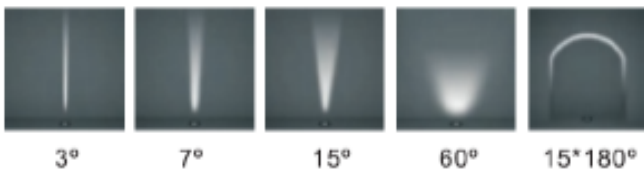
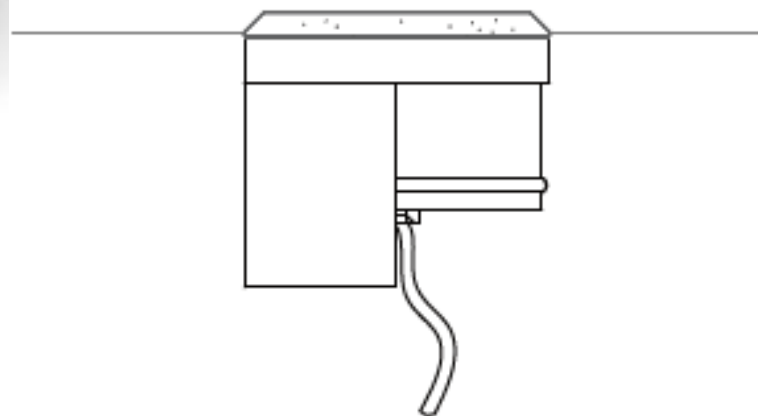
This exterior Micro Size Frameless Inground luminaires can be specified as Main 316 Marine Grade Stainless steel Body and Housing covered by Anti Corrosion resistant covering 5 Years of Warranty. It can achieve the desired effect in a wide range of applications with high quality optical systems and for direct lighting. This product provide soft, uniform, enhancing special lighting effect that blends into the space being lit, to maximizes light beauty.

MICRO CORAL SERIES series is equipped with a uniquely designed or better protection and durability easier installation and maintenance

Description

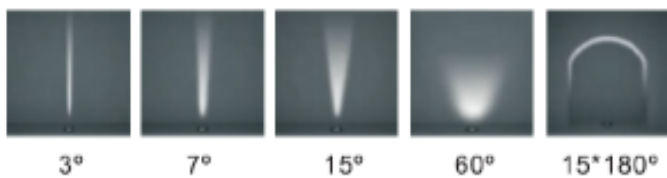
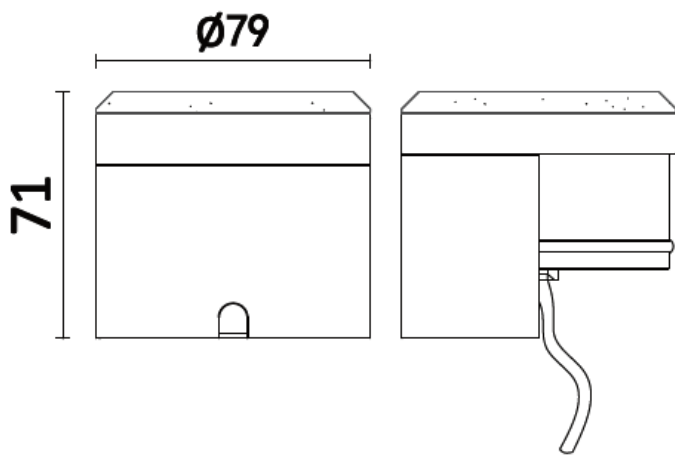
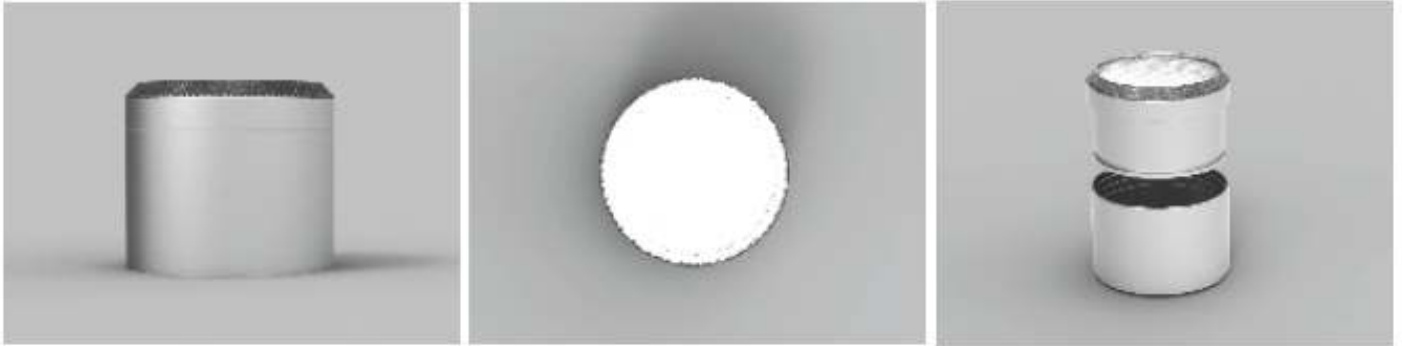
350mA/500mA/750mA/1050mA

| | |
|-----------------------|---|
| Body: | Frameless 316 Grade Stainless Steel Body with recessing box.. |
| Optical system: | Adopt modular light distribution lens, diffuser with super white, UV Resistant and Antiglare tempered Flat glass lens diffuser. |
| LED | Highest quality LEDs. Maintaining a 3-Step MacAdam ellipse one bin only, creating perfect LED color consistency. |
| LED Life | 50,000 Hrs or more based on Climate /Ambient Temperature |
| Gear plate: | Galvanized steel plate, button design for opened device. Built in Electronics Driver (Meanwell / OSRAM / Tridonic Atco / Philips / Inventronics / Eagle, etc. Durable Silicon Rubber Gasket. 3000/4000/6000K CCT. Excellent heat dissipation. Color Rendering Index is 80+. |
| Luminaire Control: | Quick on/off connector when be open. |
| Finishing: | Surface anti-ageing electrostatic spray processing, super resistance to corrosion and chemical protection. |
| Operating Temperature | -30°C to 50° C |

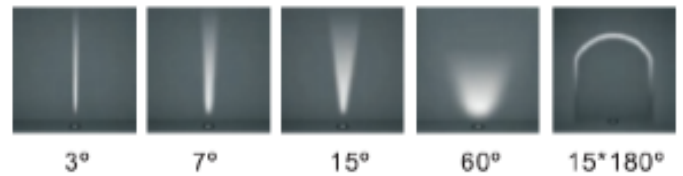
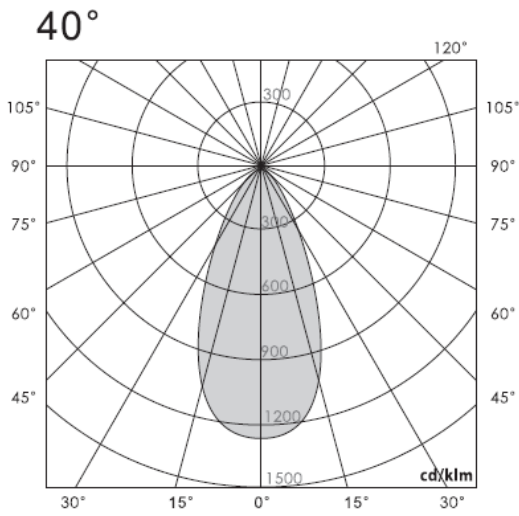
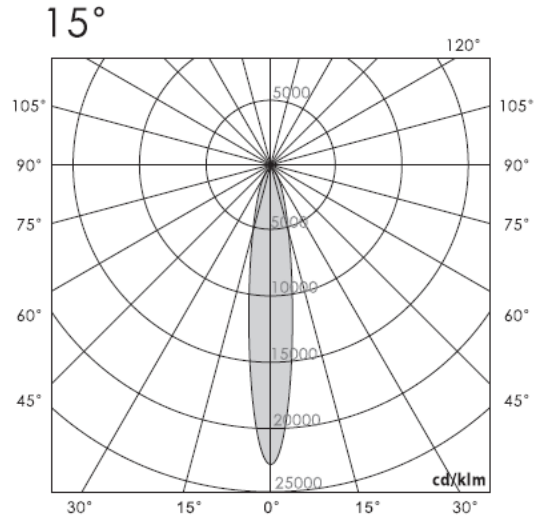
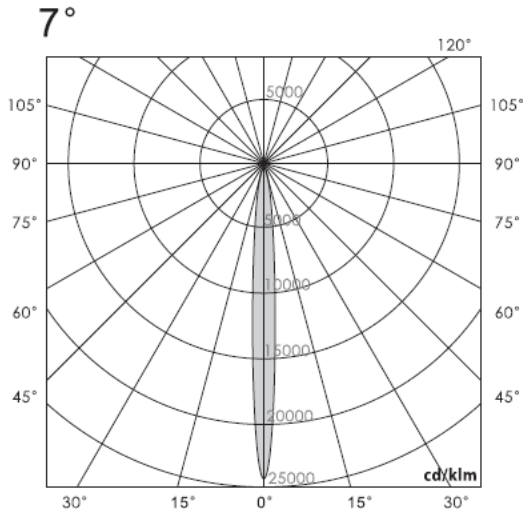


Due to continuous improvement, specifications may change without prior notice.

MICRO CORAL SERIES



MICRO CORAL SERIES



Technology

| Code | Lamp | LED Wattage | LED Color | Lumen | Voltage | Beam Optics |
|-------------|------|-------------|-----------|---------------|----------|-------------|
| MICRO CORAL | LED | 3W | 2700K | 60-70 @ 3000K | DC 24V | 120° |
| | | 6W | 3000K | 70-80 @ 4000K | Dimmable | |
| | | | 4000K | 80-90 @ 5000K | | |
| | | | 5000K | | | |
| | | | RGB | | | |



Due to continuous improvement, specifications may change without prior notice.



MICRO COBALT SERIES



Frameless

The MICRO COBALT series is a new frameless Inground Micro Size InGround Luminaries in Soft and High LED or RGB Version specially designed for Pool Deck, Pathway, Landscapes, Landscapes and in unique structure design shape. MICRO COBALT Series luminaires are designed to offer functional, a wide range of lighting solutions and dramatic highlighting of the architectural facades or Landscapes. through the superior design and finishing as well highest efficiency with a long service life.

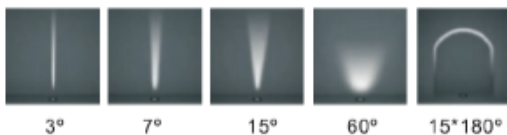
This exterior Micro Size Frameless Inground luminaries can be specified as Main 316 Marine Grade Stainless steel Body and Housing covered by Anti Corrosion resistant covering 5 Years of Warranty. It can achieve the desired effect in a wide range of applications with high quality optical systems and for direct lighting. This product provide soft, uniform, enhancing special lighting effect that blends into the space being lit, to maximizes light beauty.

MICRO COBALT SERIES series is equipped with a uniquely designed or better protection and durability easier installation and maintenance

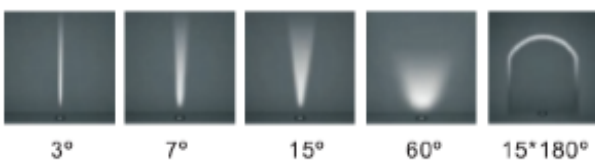
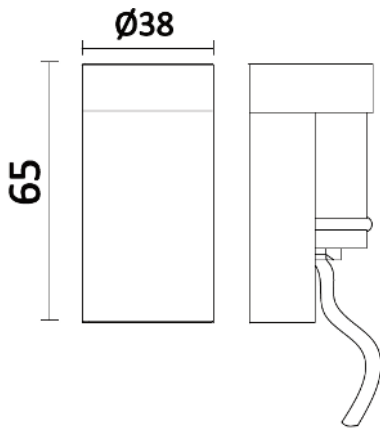
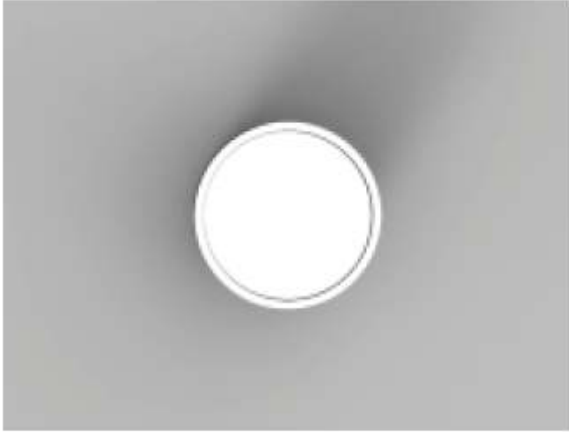
Description

350mA/500mA/750mA/1050mA

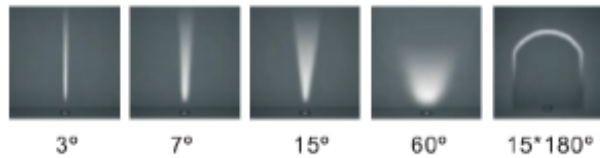
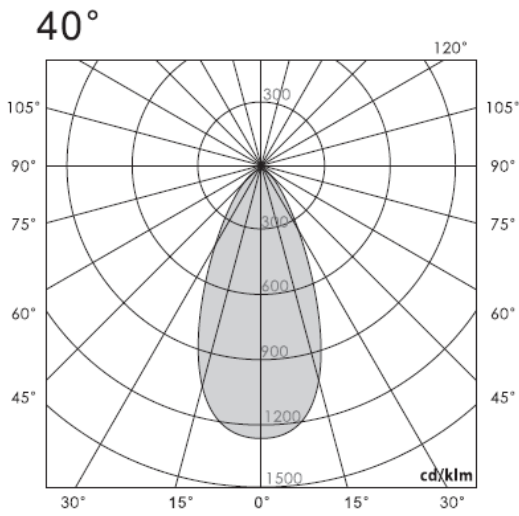
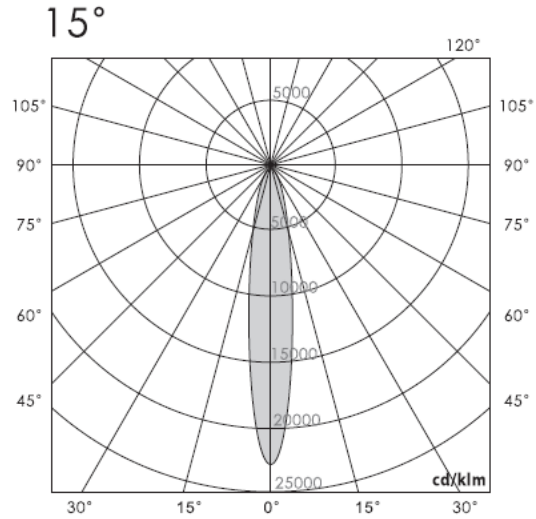
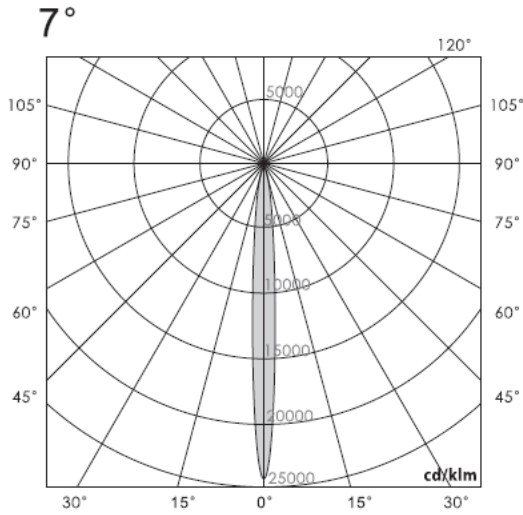
| | |
|-----------------------|---|
| Body: | Frameless 316 Grade Stainless Steel Body with recessing box.. |
| Optical system: | Adopt modular light distribution lens, diffuser with super white, UV Resistant and Antiglare tempered Flat glass lens diffuser. |
| LED | Highest quality LEDs. Maintaining a 3-Step MacAdam ellipse one bin only, creating perfect LED color consistency. |
| LED Life | 50,000 Hrs or more based on Climate /Ambient Temperature |
| Gear plate: | Galvanized steel plate, button design for opened device. Built in Electronics Driver (Meanwell / OSRAM / Tridonic Atco / Philips / Inventronics / Eagle, etc. Durable Silicon Rubber Gasket. 3000/4000/6000K CCT. Excellent heat dissipation. Color Rendering Index is 80+. |
| Luminaire Control: | Quick on/off connector when be open. |
| Finishing: | Surface anti-ageing electrostatic spray processing, super resistance to corrosion and chemical protection. |
| Operating Temperature | -30°C to 50° C |



MICRO COBALT SERIES



MICRO COBALT SERIES



Technology

| Code | Lamp | LED Wattage | LED Color | Lumen | Voltage | Beam Optics |
|--------------|------|-------------|-----------|---------------|----------|-------------|
| MICRO COBALT | LED | 1W | 2700K | 60-70 @ 3000K | DC 24V | 120° |
| | | 2.5W | 3000K | 70-80 @ 4000K | Dimmable | |
| | | | 4000K | 80-90 @ 5000K | | |
| | | | 5000K | | | |
| | | | RGB | | | |



Due to continuous improvement, specifications may change without prior notice.



MICRO VAULT SERIES



Description

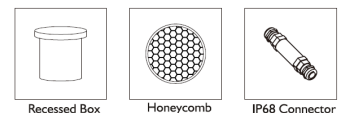
350mA/500mA/750mA/1050mA

The MICRO VAULT series is a new micro size Inground Uplight Luminaries in Soft and High LED Version specially designed for Facade & Landscapes and in unique shape version ground mounted LED light in compact size design. MICRO VAULT Series luminaires are designed to offer functional, a wide range of lighting solutions and dramatic highlighting of the Pools, Steps, Pathway through the design with superior finishing as well highest efficiency with a long service life.

This exterior Inground Uplight luminaires with LED Products can be specified as 316 Marine Grade Stainless Steel Body and Housing covered by Anti Corrosion resistant. It can achieve the desired effect in a wide range of applications with high quality optical systems and for direct lighting. This product provide soft, uniform, enhancing special lighting effect that blends into the space being lit, to maximizes light beauty.

MICRO VAULT series is equipped with a uniquely designed for better protection and durability, easier installation and maintenance.

| | |
|-----------------------|---|
| Body: | 316 Marine Grade Stainless Steel Frame, Body. |
| Optical system: | Adopt modular light distribution lens, diffuser with super white, UV Resistant and Antiglare tempered Flat glass lens diffuser. |
| LED | Highest quality LEDs. Maintaining a 3-Step MacAdam ellipse one bin only, creating perfect LED color consistency. |
| LED Life | 50,000 Hrs or more based on Climate /Ambient Temperature |
| Gear plate: | Galvanized steel plate, button design for opened device. Built in Electronics Driver (Meanwell / OSRAM / Tridonic Atco / Philips / Inventronics / Eagle, etc. Durable Silicon Rubber Gasket. 3000/4000/6000K CCT. Excellent heat dissipation. Color Rendering Index is 80+. |
| Luminaire Control: | Quick on/off connector when be open. |
| Finishing: | Surface anti-ageing electrostatic spray processing, super resistance to corrosion and chemical protection. |
| Accessories | Recessing box in high-density polyethylene is included |
| Operating Temperature | -30°C to 50° C |



Recessed Box

Honeycomb

IP68 Connector

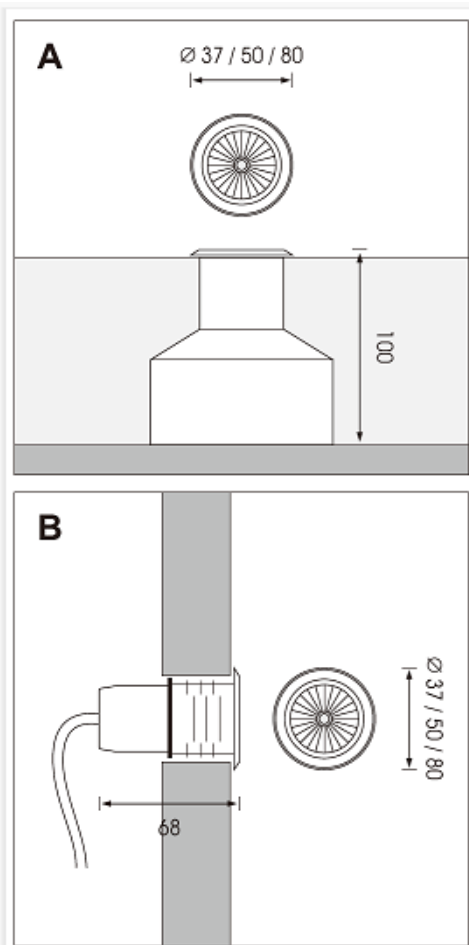


MICRO VAULT SERIES

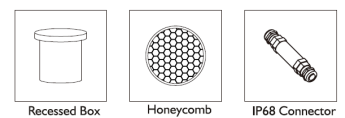


Description

350mA/500mA/750mA/1050mA



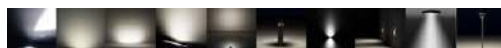
Due to continuous improvements, specifications may change without prior notice.



Recessed Box

Honeycomb

IP68 Connector

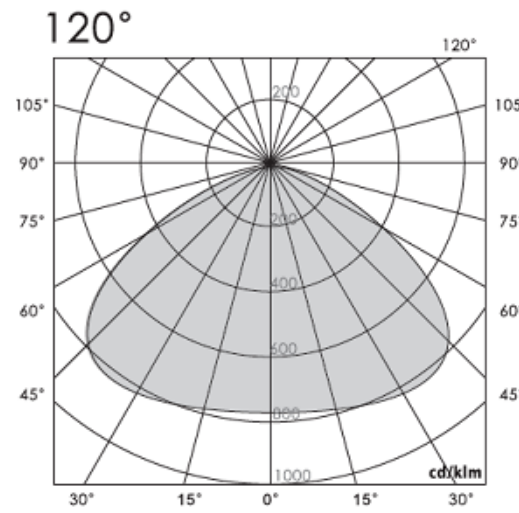
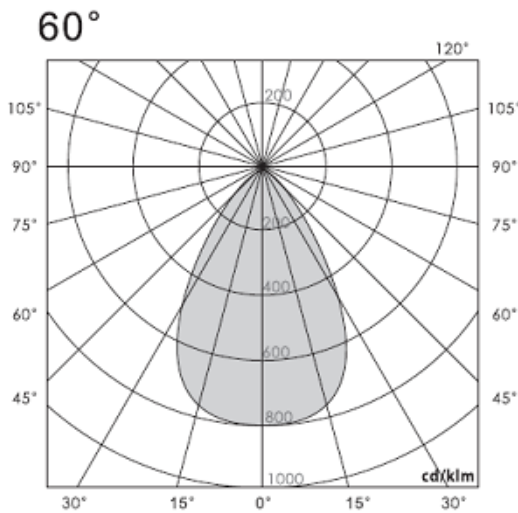
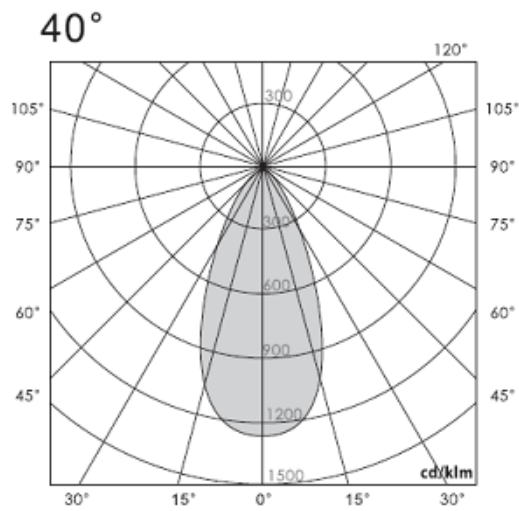
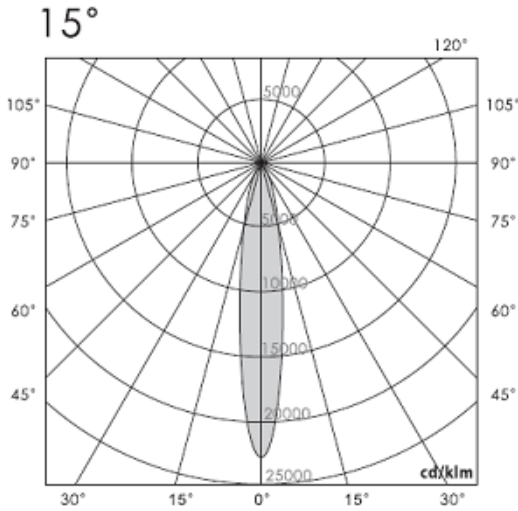


MICRO VAULT SERIES



Description

350mA/500mA/750mA/1050mA



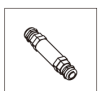
Due to continuous improvements, specifications may change without prior notice.



Recessed Box



Honeycomb



IP68 Connector

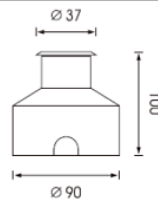


MICRO VAULT SERIES

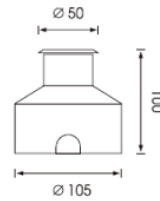


Technical Information

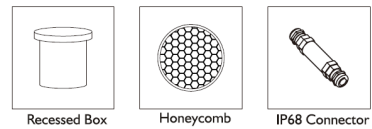
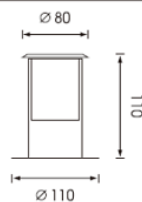
Power: 1 x 1W 24VDC
 Temp: 3000K - 4000K - 6000K



Power: 1 x 3W 24VDC / 230V
 Temp: 3000K - 4000K - 6000K



Power: 8W 24VDC / 230V
 Temp: 3000K - 4000K - 6000K



Technology Data

| Code | Lamp | Watt | LED Color | Lumen | Voltage | Beam Optics | LED |
|------------|------|---------------------|-----------|----------------|-------------|-------------|-----|
| MICROVAULT | LED | 1W (37mm/50mm DIA) | 2700K | 40-70 Lum/Watt | 240V/DC 24V | Narrow | |
| | | 2W (37mm/50mm DIA) | 3000K | | 240V/DC 24V | Medium | |
| | | 3W (50mm /50mm DIA) | 4000K | | 240V/DC 24V | Wide | |
| | | 7W (80mm DIA) | 5000K | | 240V/DC 24V | | |
| | | 9W (80mm DIA) | | | DC 24V | | |
| | | 12W (80mm DIA) | | | DC 24V | | |

Due to continuous improvements, specifications may change without prior notice.







KOSMIC MICRO
SERIES
INGROUND

KOSMIC MICRO SERIES



Description

350mA/500mA/750mA/1050mA

The KOSMIC MICRO series is a new Inground Uplight Luminaries in High LED Version specially designed for Facade and in unique shape version ground mounted LED light in compact size design. KOSMIC MICRO Series luminaires are designed to offer functional, a wide range of lighting solutions and dramatic highlighting of the architectural facades of different Palm Trees, Buildings, Malls through the design with superior finishing as well highest efficiency with a long service life.

This exterior Inground Uplight luminaries with LED Products can be specified as 316 Marine Grade Stainless Steel Body and Housing covered by Anti Corrosion resistant. It can achieve the desired effect in a wide range of applications with high quality optical systems and for direct lighting. This product provide soft, uniform, enhancing special lighting effect that blends into the space being lit, to maximizes light beauty.

KOSMIC MICRO series is equipped with a uniquely designed for better protection and durability, easier installation and maintenance.

- Body:** 316 Marine Grade Stainless Steel Frame, Body and Housing.
- Optical system:** Adopt modular light distribution lens, diffuser with super white, UV Resistant and Antiglare tempered Flat glass lens diffuser.
- LED:** Highest quality LEDs. Maintaining a 3-Step MacAdam ellipse one bin only, creating perfect LED color consistency.
- LED Life:** 50,000 Hrs or more based on Climate /Ambient Temperature
- Gear plate:** Galvanized steel plate, button design for opened device. Built in Electronics Driver (Meanwell / OSRAM / Tridonic Atco / Philips / Inventronics / Eagle, etc. Durable Silicon Rubber Gasket. 3000/4000/6000K CCT. Excellent heat dissipation. Color Rendering Index is 80+.
- Luminaire Control:** Quick on/off connector when be open.
- Finishing:** Surface anti-ageing electrostatic spray processing, super resistance to corrosion and chemical protection.
- Operating Temperature** -30°C to 50° C



Touchable surface



2000kg
30km/h



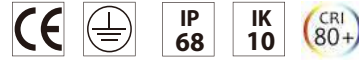
Clear

Frosted

Prismatic



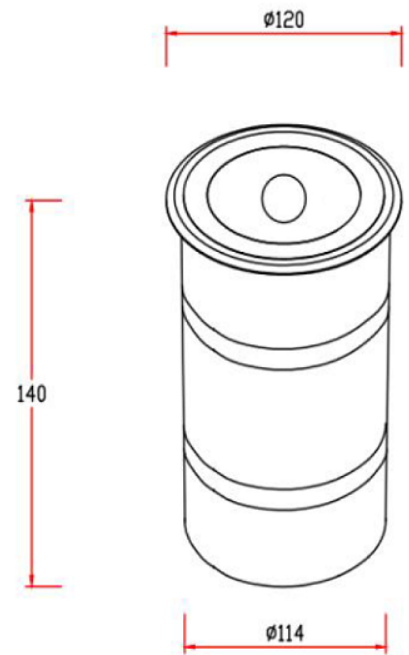
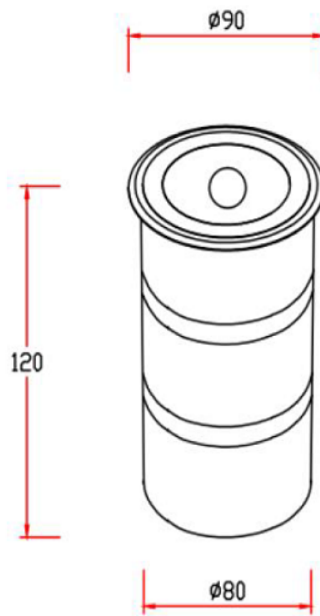
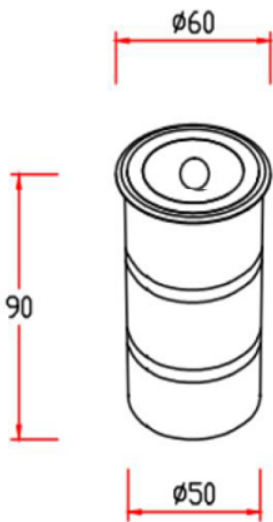
KOSMIC MICRO SERIES



Touchable surface



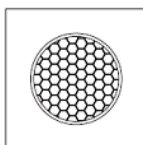
2000kg
30km/h



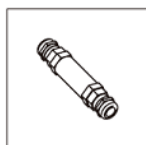
Accessories



Recessed Box



Honeycomb



IP68 Connector



Clear

Frosted

Prismatic



Due to continuous improvements, specifications may change without prior notice.

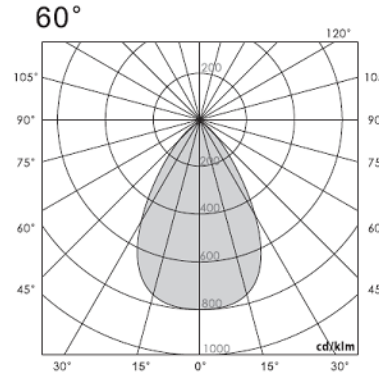
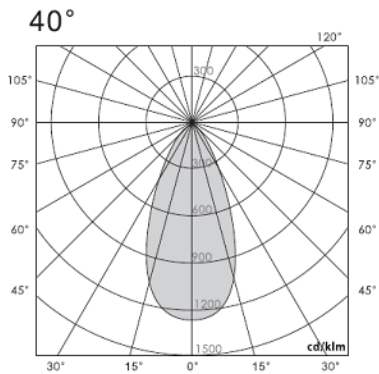
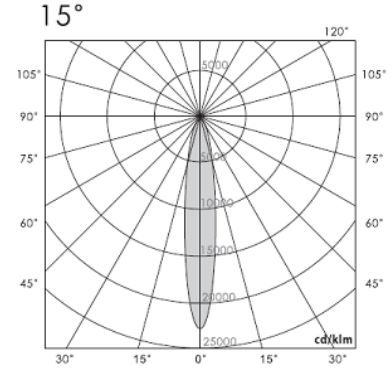
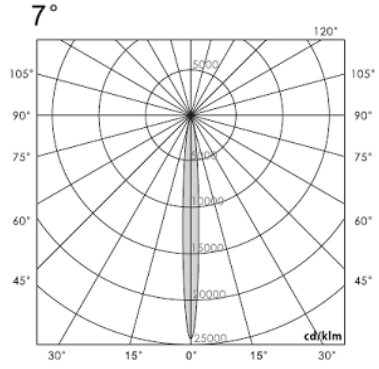
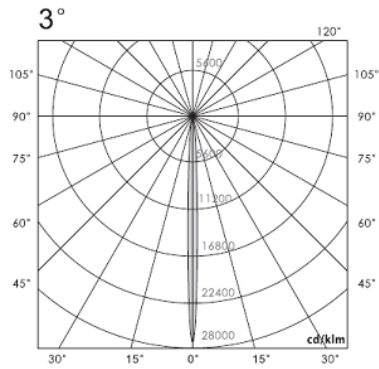
KOSMIC MICRO SERIES



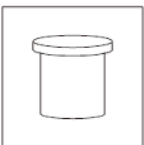
Touchable surface



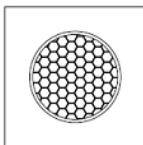
2000kg
30km/h



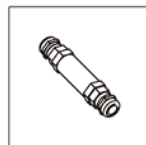
Accessories



Recessed Box



Honeycomb



IP68 Connector



Clear

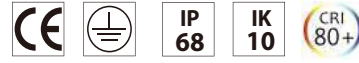
Frosted

Prismatic



Due to continuous improvements, specifications may change without prior notice.

KOSMIC MICRO SERIES



Touchable surface



2000kg
30km/h



3°

7°

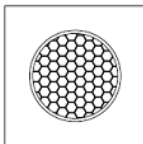
15°

60°

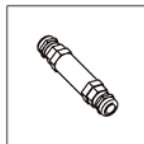
Accessories



Recessed Box



Honeycomb



IP68 Connector



Clear

Frosted

Prismatic

Note. IP 68 Rating available only in 60mm and 90mm dia

| Code | Lamp | Output power | LED Color | Lumen | Voltage | Beam Angle | LED |
|--------------|------|-------------------|-----------|------------------------|------------|----------------|-----|
| KOSMIC MICRO | LED | 3W - 5W - 60MM | 2700K | 90 - 105 Lumens / Watt | 100 - 277V | 3° Beam Optic | |
| | | 6W - 8W - 90MM | 3000K | | DC 24V | 7° Beam Optic | |
| | | 10W - 15W - 120MM | 4000K | | | 15° Beam Optic | |
| | | | 5000K | | | 30° Beam Optic | |
| | | | | | | 48° Beam Optic | |



Due to continuous improvements, specifications may change without prior notice.

TRITON SERIES



Description

350mA/500mA/750mA/1050mA

The TRITON series is a new Inground Uplight Luminaries in Soft and High LED Version specially designed for Facade and in unique shape version ground mounted LED light in compact size design. TRITON Series luminaires are designed to offer functional, a wide range of lighting solutions and dramatic highlighting of the architectural facades of different Palm Trees, Buildings, Malls through the design with superior finishing as well highest efficiency with a long service life.

This exterior Inground Uplight luminaries with LED Products can be specified as Main Heavy Duty Die Cast Aluminium Body and Housing covered by Anti Corrosion resistant with 304 or 316 Marine Grade Stainless Steel frame. It can achieve the desired effect in a wide range of applications with high quality optical systems and for direct lighting. This product provide soft, uniform, enhancing special lighting effect that blends into the space being lit, to maximizes light beauty.

TRITON series is equipped with a uniquely designed for better protection and durability, easier installation and maintenance.

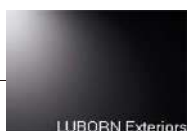
- Body:** 304 | 316 Grade Stainless Steel Frame. Heavy Duty Die-cast aluminium Body.
- Optical system:** Adopt modular light distribution lens, diffuser with super white, UV Resistant and Antiglare tempered Flat glass lens diffuser.
- LED:** Highest quality LEDs. Maintaining a 3-Step MacAdam ellipse one bin only, creating perfect LED color consistency.
- LED Life:** 50,000 Hrs or more based on Climate /Ambient Temperature
- Gear plate:** Galvanized steel plate, button design for opened device. Built in Electronics Driver (Meanwell / OSRAM / Tridonic Atco / Philips / Inventronics / Eagle, etc. Durable Silicon Rubber Gasket. 3000/4000/6000K CCT. Excellent heat dissipation. Color Rendering Index is 80+.
- Luminaire Control:** Quick on/off connector when be open.
- Finishing:** Surface anti-ageing electrostatic spray processing, super resistance to corrosion and chemical protection.
- Accessories** - Recessing box in high-density polyethylene is included
- Operating Temperature** -30°C to 50° C



Clear

Frosted

Prismatic



Due to continuous improvement, specifications may change without prior notice.

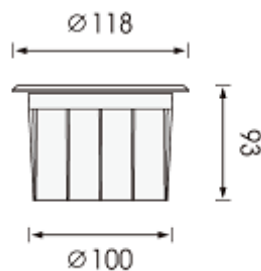
TRITON SERIES



Technical Information

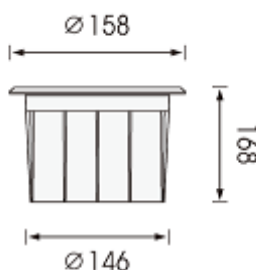
Power: 6W

Temp: 3000K - 4000K - 6000K



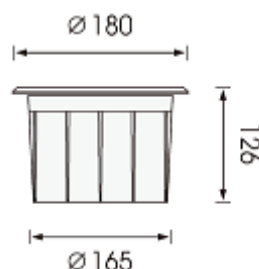
Power: 12W

Temp: 3000K - 4000K - 6000K



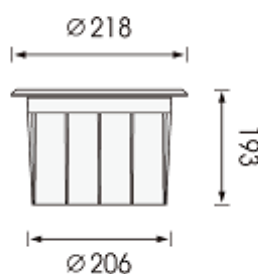
Power: 18W

Temp: 3000K - 4000K - 6000K



Power: 26W

Temp: 3000K - 4000K - 6000K



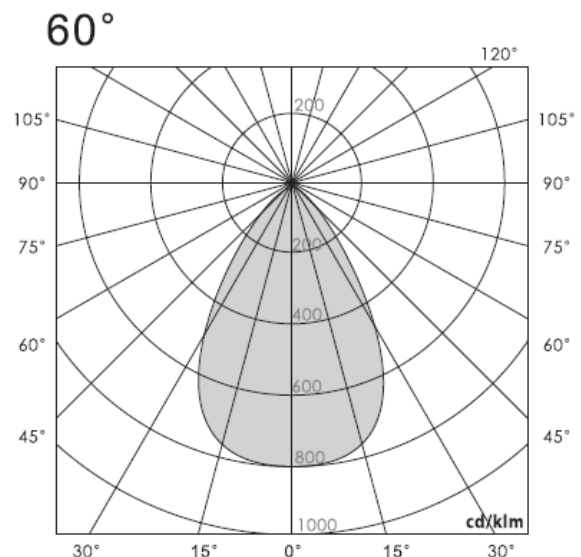
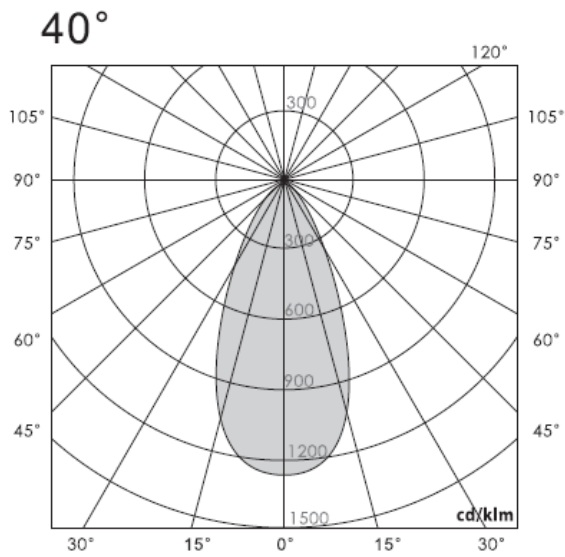
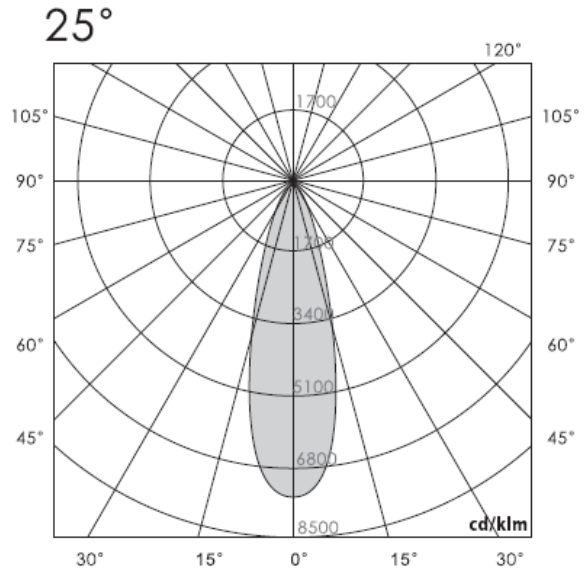
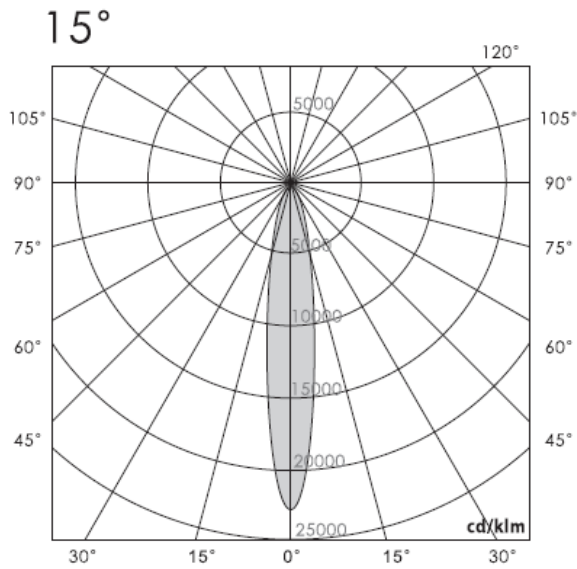
Clear

Frosted

Prismatic



TRITON SERIES



Accessories



Recessed Box Honeycomb IP68 Connector Square Cover



Clear Frosted Prismatic



Due to continuous improvement in products, specifications may change without prior notice.

TRITON SERIES

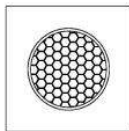


Duš to continuous improvšnšnšnts, specifications may change without prior notice.

Accessories



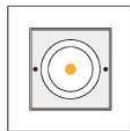
Recessed Box



Honeycomb



IP68 Connector



Square Cover



Clear

Frosted

Prismatic

| Code | Lamp | Output power | LED Color | Lumen | Voltage | Beam Angle | LED |
|--------|------|--------------|-----------|-----------------------|------------|----------------|-----|
| TRITON | LED | 8W | 2700K | 90 – 95 Lumens / Watt | 100 - 277V | 12° Beam Optic | |
| | | 12W | 3000K | | Dimmable | 24° Beam Optic | |
| | | 18W | 4000K | | | 36° Beam Optic | |
| | | 26W | 5000K | | | | |
| | | 45W/60W | | | | | |





SIGMA SERIES



Description

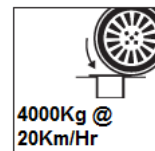
350mA/500mA/750mA/1050mA

The SIGMA series is a new Asymmetrical Adjustable Inground Uplight Luminaries in High LED Version providing precision optical systems gives very low glare rating, while reducing light pollution and specially designed for Facade and in unique shape version ground mounted LED light in compact size design. SIGMA Series luminaires are designed to offer functional, a wide range of lighting solutions and dramatic highlighting of the architectural facades of different Palm Trees, Buildings, Malls through the design with superior finishing as well highest efficiency with a long service life.

This exterior Inground Uplight luminaires with LED Products can be specified as Main Heavy Duty Die Cast Aluminium Body and Housing covered by Anti Corrosion resistant with 304 or 316 Marine Grade Stainless Steel frame. It can achieve the desired effect in a wide range of applications with high quality optical systems and for direct lighting. This product provide soft, uniform, enhancing special lighting effect that blends into the space being lit, to maximizes light beauty.

SIGMA series is equipped with a uniquely designed for better protection and durability, easier installation and maintenance.

- Body: 304 | 316 Grade Stainless Steel Frame. Heavy Duty Die-cast aluminium Body.
- Optical system: Adopt modular light distribution lens, diffuser with super white, UV Resistant and Antiglare tempered Flat glass lens diffuser.
- LED: Highest quality LEDs. Maintaining a 3-Step MacAdam ellipse one bin only, creating perfect LED color consistency.
- LED Life: 50,000 Hrs or more based on Climate /Ambient Temperature
- Gear plate: Galvanized steel plate, button design for opened device. Built in Electronics Driver (Meanwell / OSRAM / Tridonic Atco / Philips / Inventronics / Eagle, etc. Durable Silicon Rubber Gasket. 3000/4000/6000K CCT. Excellent heat dissipation. Color Rendering Index is 80+.
- Luminaire Control: Quick on/off connector when be open.
- Finishing: Surface anti-ageing electrostatic spray processing, super resistance to corrosion and chemical protection.
- Accessories - Recessing box in high-density polyethylene is included
- Operating Temperature -30°C to 50° C



Dimensions



Accessories

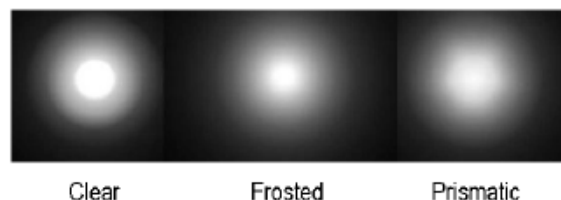


Recessed Box

Honeycomb

IP68 Connector

Square Cover



Clear

Frosted

Prismatic

Wattage can be customizedly increased / decreased as per Site requirement



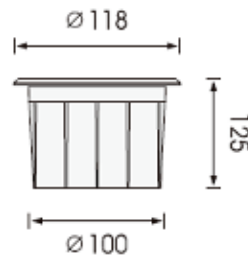
Due to continuous improvement, specifications may change without prior notice.

SIGMA SERIES

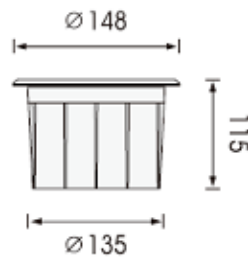


Technical Information

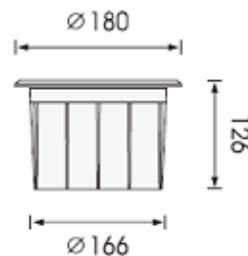
Power: 1 x 3W
 Temp: 3000K - 4000K - 6000K



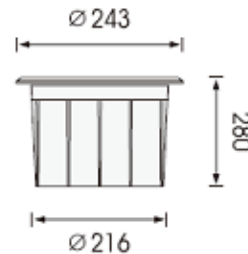
Power: 5 x 1W
 Temp: 3000K - 4000K - 6000K



Power: 7 x 1W
 Temp: 3000K - 4000K - 6000K



Power: 12 x 1W
 Temp: 3000K - 4000K - 6000K



Accessories



Recessed Box

Honeycomb

IP68 Connector

Square Cover



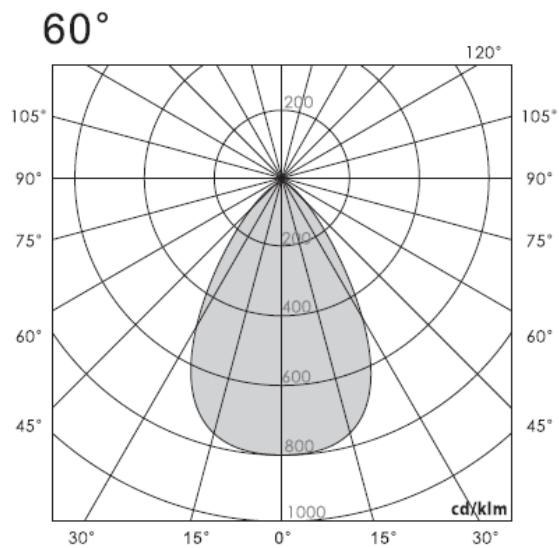
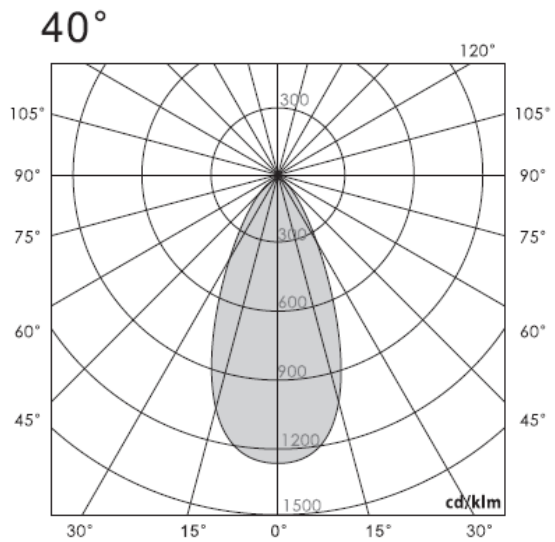
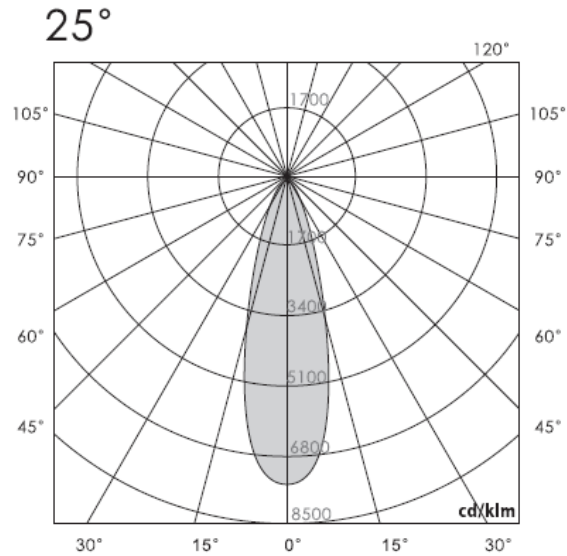
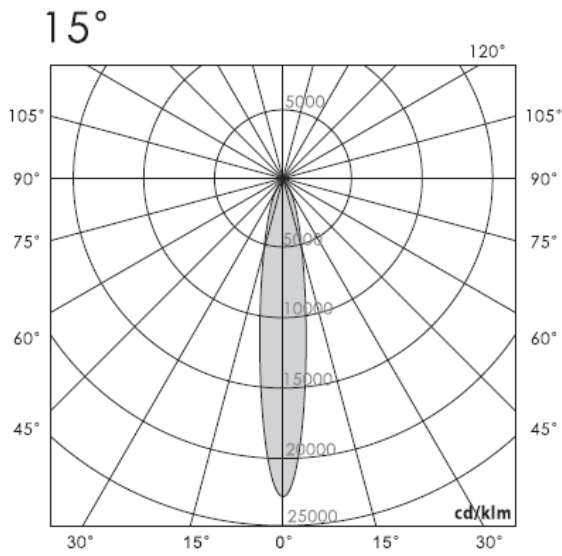
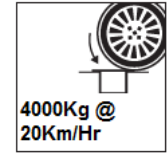
Clear

Frosted

Prismatic



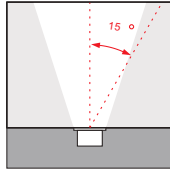
SIGMA SERIES



Clear Frosted Prismatic



SIGMA SERIES

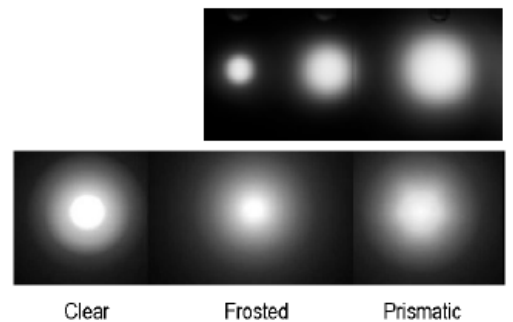


Due to continuous improvement, specifications may change without prior notice.

Accessories



Recessed Box Honeycomb IP68 Connector Square Cover



Clear Frosted Prismatic

Technology Data

| Code | Lamp | Output power | LED Color | Lumen | Voltage | Beam Angle | LED |
|-------|------|--------------|-----------|-----------------------|----------------|----------------|-----|
| SIGMA | LED | 8W | 2700K | 90 – 95 Lumens / Watt | 100 - 277V | 12° Beam Optic | |
| | | 12W | 3000K | | Dimmable | 24° Beam Optic | |
| | | 26W | 4000K | | 36° Beam Optic | | |
| | | | 5000K | | | | |

Wattage can be customizedly increased / decreased as per Site requirement



DOVER SERIES



Description

350mA/500mA/750mA/1050mA

The DOVER series is a new Asymmetrical Inground Uplight Luminaires in Soft and High LED Version specially designed for Facade and in unique shape version ground mounted LED light in compact size design. DOVER Series luminaires are designed to offer functional, a wide range of lighting solutions and dramatic highlighting of the architectural facades of different Palm Trees, Buildings, Malls through the design with superior finishing as well highest efficiency with a long service life.

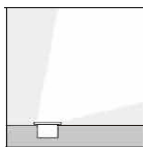
This exterior Inground Uplight luminaires with LED Products can be specified as Main Heavy Duty Die Cast Aluminium Body and Housing covered by Anti Corrosion resistant with 304 or 316 Marine Grade Stainless Steel frame. It can achieve the desired effect in a wide range of applications with high quality optical systems and for direct lighting. This product provide soft, uniform, enhancing special lighting effect that blends into the space being lit, to maximizes light beauty.

DOVER series is equipped with a uniquely designed for better protection and durability, easier installation and maintenance.

| | |
|-----------------------|---|
| Body: | 304 316 Grade Stainless Steel Frame. Heavy Duty Die-cast aluminium Body. |
| Optical system: | Adopt modular light distribution lens, diffuser with super white, UV Resistant and Antiglare tempered Flat glass lens diffuser. |
| LED | Highest quality LEDs. Maintaining a 3-Step MacAdam ellipse one bin only, creating perfect LED color consistency. |
| LED Life | 50,000 Hrs or more based on Climate /Ambient Temperature |
| Gear plate: | Galvanized steel plate, button design for opened device. Built in Electronics Driver (Meanwell / OSRAM / Tridonic Atco / Philips / Inventronics / Eagle, etc. Durable Silicon Rubber Gasket. 3000/4000/6000K CCT. Excellent heat dissipation. Color Rendering Index is 80+. |
| Luminaire Control: | Quick on/off connector when be open. |
| Finishing: | Surface anti-ageing electrostatic spray processing, super resistance to corrosion and chemical protection. |
| Accessories | - Recessing box in high-density polyethylene is included |
| Operating Temperature | -30°C to 50° C |



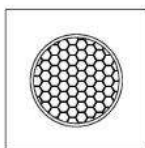
Dimensions



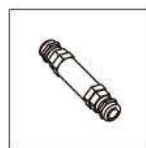
Accessories



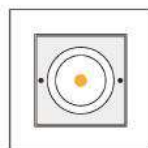
Recessed Box



Honeycomb



IP68 Connector



Square Cover



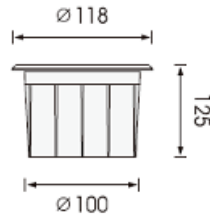
DOVER SERIES



Technical Information

Power: 1 x 3W

Temp: 3000K - 4000K - 6000K

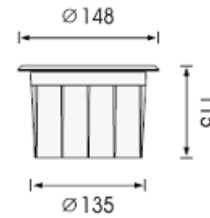


IP67



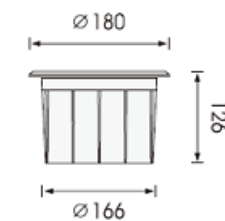
Power: 5 x 1W

Temp: 3000K - 4000K - 6000K



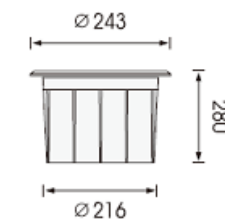
Power: 7 x 1W

Temp: 3000K - 4000K - 6000K



Power: 12 x 1W

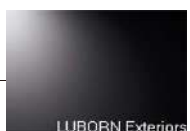
Temp: 3000K - 4000K - 6000K



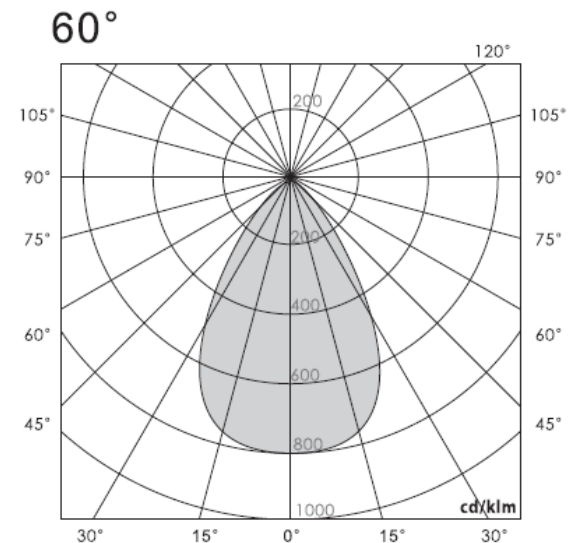
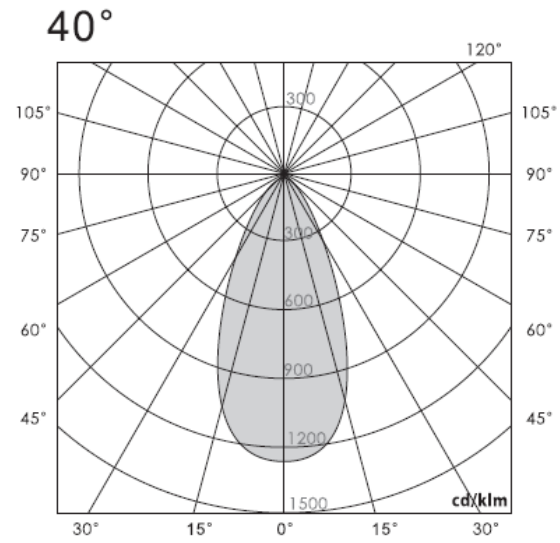
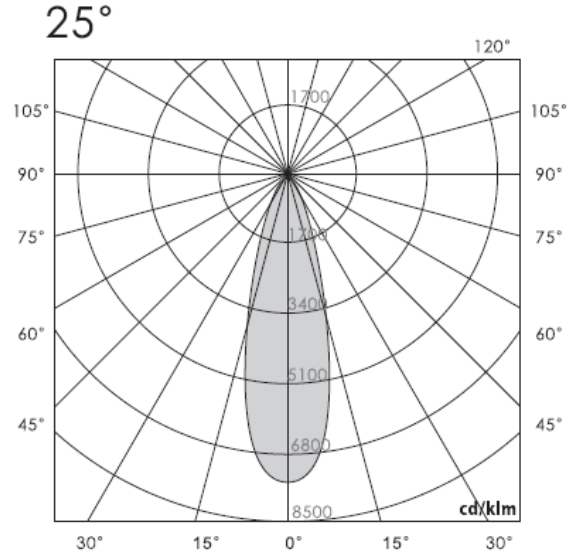
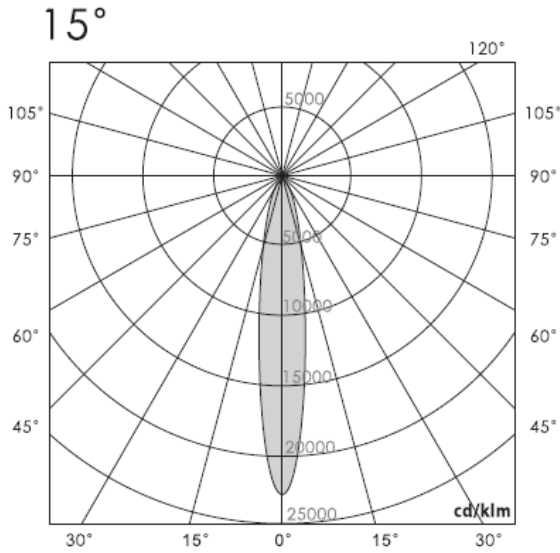
Due to continuous improvement, specifications may change without prior notice.



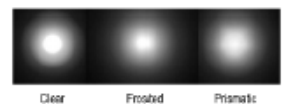
Clear Frosted Prismatic



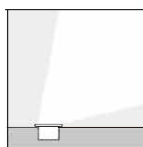
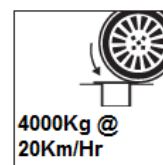
DOVER SERIES



Due to continuous improvement, specifications may change without prior notice.



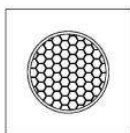
DOVER SERIES



Accessories



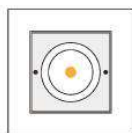
Recessed Box



Honeycomb



IP68 Connector



Square Cover



Clear Frosted Prismatic

| Code | Lamp | Output power | LED Color | Lumen | Voltage | Beam Angle | LED |
|-------|------|--------------|-----------|-----------------------|------------|----------------|-----|
| DOVER | LED | 8W | 2700K | 90 – 95 Lumens / Watt | 100 - 277V | 12° Beam Optic | |
| | | 12W | 3000K | | Dimmable | 24° Beam Optic | |
| | | 18W | 4000K | | | 36° Beam Optic | |
| | | 26W | 5000K | | | | |



ELECTRON SERIES



Description

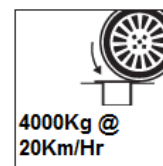
350mA/500mA/750mA/1050mA

The ELECTRON series is a new Inground Uplight Luminaries in Soft and High LED Version specially designed for Facade and in unique shape version ground mounted LED light in compact size design. ELECTRON Series luminaires are designed to offer functional, a wide range of lighting solutions and dramatic highlighting of the architectural facades of different Palm Trees, Buildings, Malls through the design with superior finishing as well highest efficiency with a long service life.

This exterior Inground Uplight luminaries with LED Products can be specified as Main Heavy Duty Die Cast Aluminium Body and Housing covered by Anti Corrosion resistant with 304 or 316 Marine Grade Stainless Steel frame. It can achieve the desired effect in a wide range of applications with high quality optical systems and for direct lighting. This product provide soft, uniform, enhancing special lighting effect that blends into the space being lit, to maximizes light beauty.

ELECTRON series is equipped with a uniquely designed for better protection and durability, easier installation and maintenance.

- Body:** 304 | 316 Grade Stainless Steel Frame. Heavy Duty Die-cast aluminium Body.
- Optical system:** Adopt modular light distribution lens, diffuser with super white, UV Resistant and Antiglare tempered Flat glass lens diffuser.
- LED:** Highest quality LEDs. Maintaining a 3-Step MacAdam ellipse one bin only, creating perfect LED color consistency.
- LED Life:** 50,000 Hrs or more based on Climate /Ambient Temperature
- Gear plate:** Galvanized steel plate, button design for opened device. Built in Electronics Driver (Meanwell / OSRAM / Tridonic Atco / Philips / Inventronics / Eagle, etc. Durable Silicon Rubber Gasket. 3000/4000/6000K CCT. Excellent heat dissipation. Color Rendering Index is 80+.
- Luminaire Control:** Quick on/off connector when be open.
- Finishing:** Surface anti-ageing electrostatic spray processing, super resistance to corrosion and chemical protection.
- Accessories** - Recessing box in high-density polyethylene is included
- Operating Temperature** -30°C to 50° C



Clear Frosted Prismatic



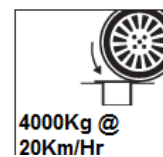
Due to continuous improvements, specifications may change without prior notice.

ELECTRON SERIES



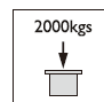
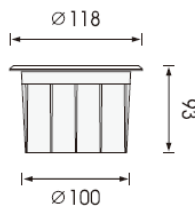
Description

350mA/500mA/750mA/1050mA

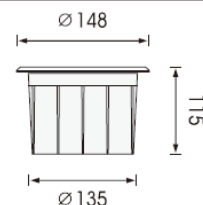


Technical Information

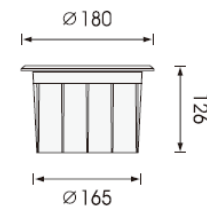
| | |
|-------------|----------------------------|
| Power: | 3 x IW |
| Temp: | 3000K - 4000K - 6000K |
| Beam Angle: | 12° - 24° - 45° - 15 x 30° |



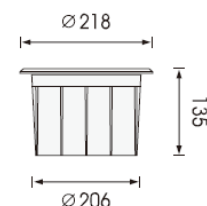
| | |
|-------------|----------------------------|
| Power: | 6 x IW / 7 x IW |
| Temp: | 3000K - 4000K - 6000K |
| Beam Angle: | 12° - 24° - 45° - 15 x 30° |



| | |
|-------------|----------------------------|
| Power: | 9 x IW / 12 x IW |
| Temp: | 3000K - 4000K - 6000K |
| Beam Angle: | 12° - 24° - 45° - 15 x 30° |



| | |
|-------------|----------------------------|
| Power: | 18 x IW |
| Temp: | 3000K - 4000K - 6000K |
| Beam Angle: | 12° - 24° - 45° - 15 x 50° |



Clear

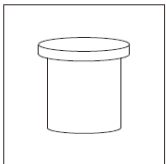
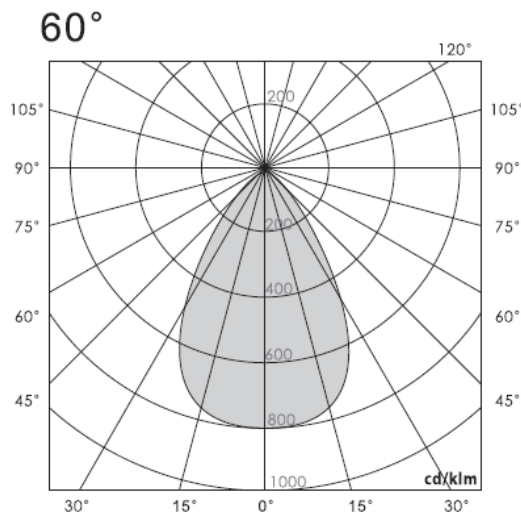
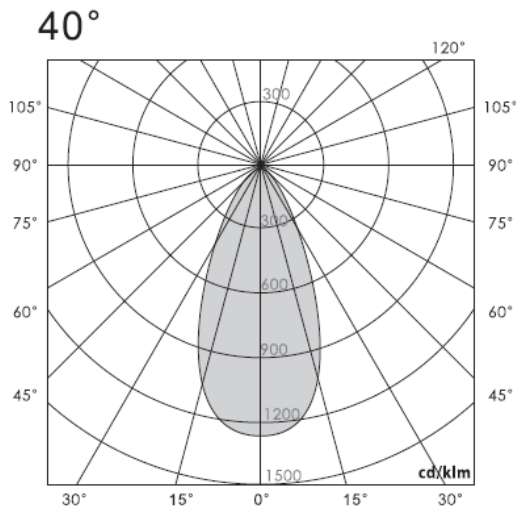
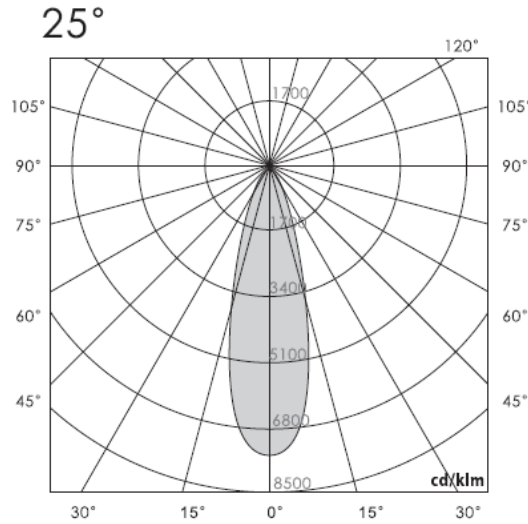
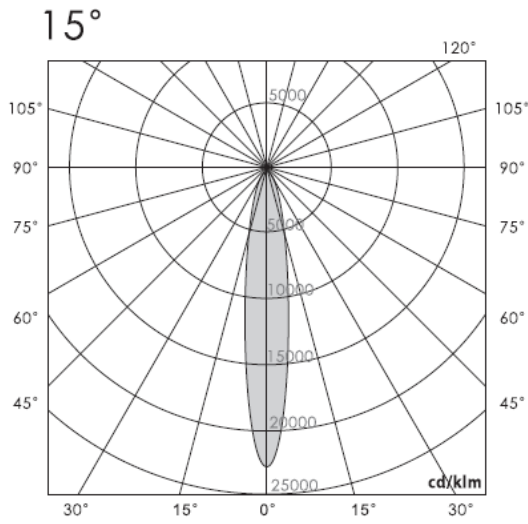
Frosted

Prismatic

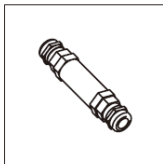


Due to continuous improvements, specifications may change without prior notice.

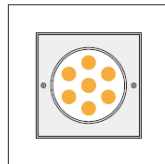
ELECTRON SERIES



Recessed Box



IP68 Connector



Square Cover



Clear

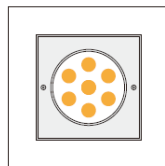
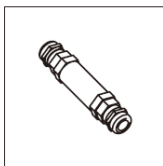
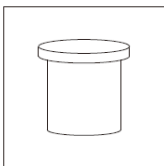
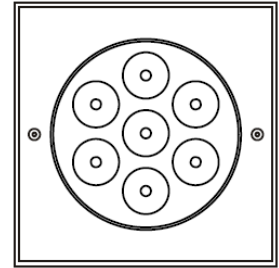
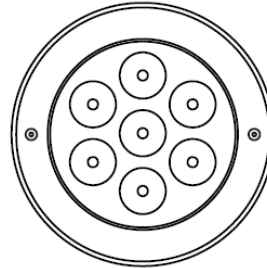
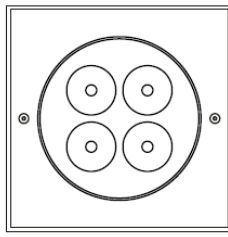
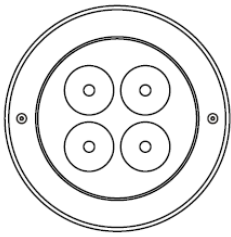
Frosted

Prismatic



Due to continuous improvements, specifications may change without prior notice.

ELECTRON SERIES



Clear

Frosted

Prismatic

Recessed Box

IP68 Connector

Square Cover

| Code | Lamp | Output power | LED Color | Lumen | Voltage | Beam Angle | LED |
|----------|------|--------------|-----------|-----------------------|------------|-------------------|-----|
| ELECTRON | LED | 3W | 2700K | 90 – 95 Lumens / Watt | 100 - 277V | Narrow Beam Optic | |
| | | 7W | 3000K | | Dimmable | Medium Beam Optic | |
| | | 12W | 4000K | | | Wide Beam Optic | |
| | | 18W | 5000K | | | | |



Due to continuous improvements, specifications may change without prior notice.



MICRO NIKKON SERIES



The MICRO NIKKON series is a new Inground Pathway Luminaries in Soft and High LED Version providing precision optical systems which gives very low glare rating, while reducing light pollution and specially designed for Pathway and in unique shape version ground mounted LED light in compact size design. MICRO NIKKON DIRECTION Series luminaires are designed to offer functional, a wide range of lighting solutions and dramatic highlighting of the Pathway Pedestrians areas squares Residential and Malls through the design with superior finishing as well highest efficiency with a long service

This exterior pathway luminaires with LED Products can be specified as Main 316 Marine Grade Stainless Steel Frame, Body and Housing. It can achieve the desired effect in a wide range of applications with high quality optical systems and for direct lighting. This product provide soft, uniform, enhancing special lighting effect that blends into the space being lit, to maximizes light beauty.

MICRO NIKKON DIRECTIONS series is equipped with a uniquely designed for better protection and durability, easier installation and maintenance.

Description

350mA/500mA/750mA/1050mA

- Body: 316 Marine Grade Stainless body and housing
- Optical system: Anodized aluminium Symmetrical reflector and UV resistant and Antiglare tempered Borosilicate glass lens diffuser. Silicon Rubber Gasket. Color Rendering Index is 80+. Galvanized steel plate, stainless steel fasten.
- Gear plate: Galvanized steel plate, stainless steel fasten.
- Finishing: Surface anti-ageing electrostatic spray processing, super resistance to corrosion and chemical protection.
- Driver : Remote DC 24V Driver (not included).
- Loading Capacity : 1000 Kgs pressure load of vehicle with pneumatic tyres with the speed not more than 20 Kms/Hr.
- Accessories : Recessing box in high-density polyethylene is included



Dimensions



Wattage can be customizedly increased / decreased as per Site requirement

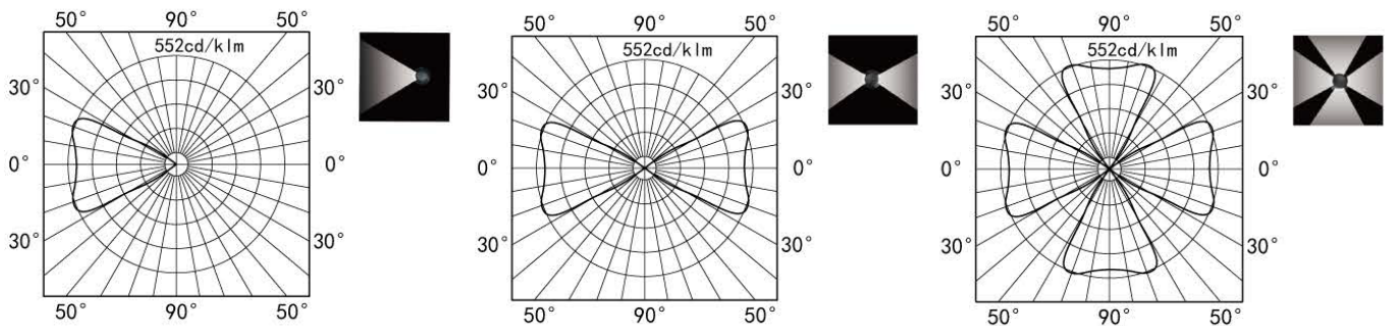
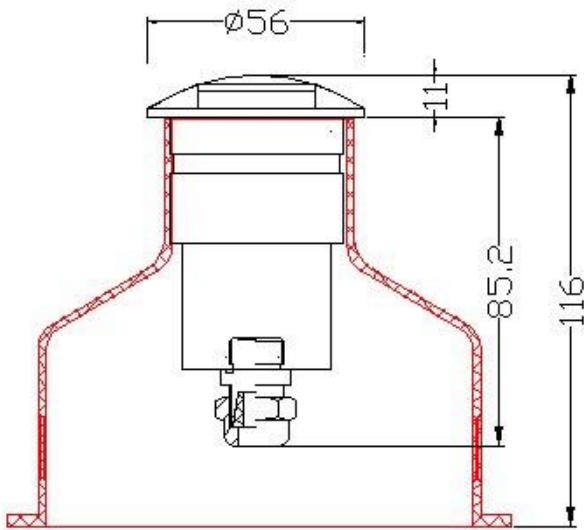


MICRO NIKKON SERIES



Description

350mA/500mA/750mA/1050mA



Wattage can be customized increased / decreased as per Site requirement



MICRO NIKKON SERIES



Description

350mA/500mA/750mA/1050mA



Technology Data

| Code | Lamp | Output power | LED Color | Lumen | Voltage | Directions | LED |
|--------------|------|--------------|-----------|----------------|-----------|------------|-----|
| MICRO NIKKON | LED | 1.2W 2.4W | 2700K | 40-60 Lum/Watt | 100 - 240 | 1 2 3 | |
| | | | | | | | |
| | | | 4000K | | | | |
| | | | 5000K | | | | |



Wattage can be customizedly increased / decreased as per Site requirement



Due to continuous improvements, specifications may change without prior notice.

DIRECTION NIKKON SERIES



The DIRECTION NIKKON series is a new Inground Pathway Luminaries in Soft and High LED Version providing precision optical systems which gives very low glare rating, while reducing light pollution and specially designed for Pathway and in unique shape version ground mounted LED light in compact size design. NIKKON DIRECTION Series luminaires are designed to offer functional, a wide range of lighting solutions and dramatic highlighting of the Pathway, Pedestrians areas, Squares, Residentials and Malls through the design with superior finishing as well highest efficiency with a long service life.

This exterior pathway luminaires with LED Products can be specified as Main Heavy Duty Die Cast Aluminium Body and Housing covered by Anti Corrosion resistant with 304 or 316 Marine Grade Stainless Steel frame. It can achieve the desired effect in a wide range of applications with high quality optical systems and for direct lighting. This product provide soft, uniform, enhancing special lighting effect that blends into the space being lit, to maximizes light beauty.

NIKKON DIRECTIONS series is equipped with a uniquely designed for better protection and durability, easier installation and maintenance.

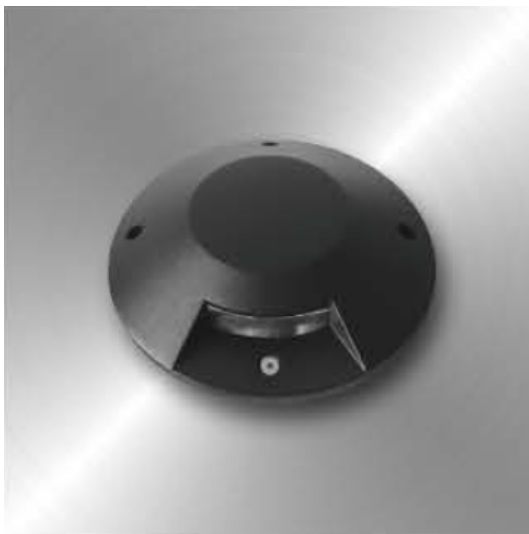
Description

350mA/500mA/750mA/1050mA

| | |
|--------------------|---|
| Body: | Heavy Duty Die-cast aluminium. 304 or 316 Marine Grade Stainless Steel opener. |
| Optical system: | Anodized aluminium Symmetrical reflector and UV resistant and Antiglare tempered Borosilicate glass lens diffuser. Silicon Rubber Gasket. Color Rendering Index is 80+. |
| Gear plate: | Galvanized steel plate, stainless steel fasten. |
| Finishing: | Surface anti-ageing electrostatic spray processing, super resistance to corrosion and chemical protection. |
| Driver : | Integrated for AC. Philips/OSRAM/Trdonic Atco / Eagle / Meanwell / Inventronics. |
| Loading Capacity : | 4000 Kgs pressure load of vehicle with pneumatic tyres with the speed not more than 20 Kms/Hr. |
| Accessories : | Die Cast Aluminium Recessing Box. |



Dimensions



Wattage can be customizedly increased / decreased as per Site requirement



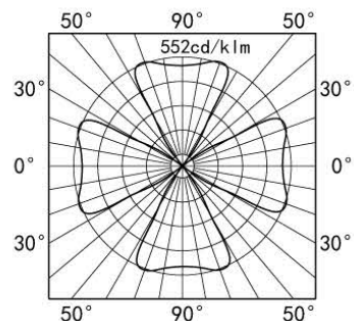
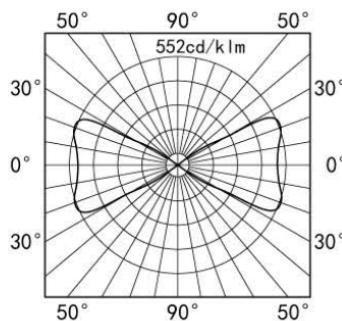
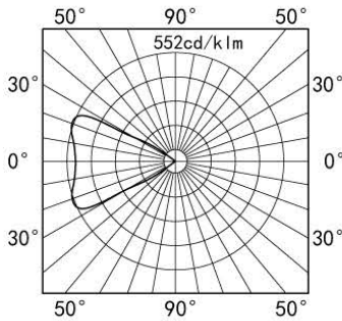
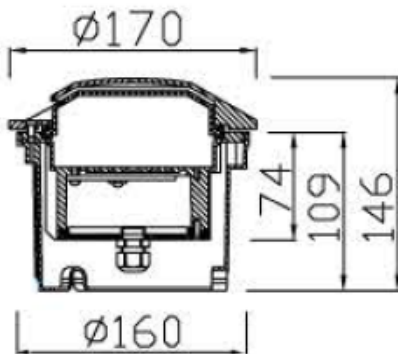
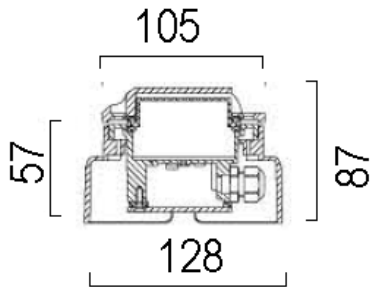
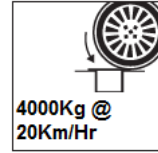
Due to continuous improvements, specifications may change without prior notice.

DIRECTION NIKKON SERIES



Description

350mA/500mA/750mA/1050mA



Wattage can be customizedly increased / decreased as per Site requirement

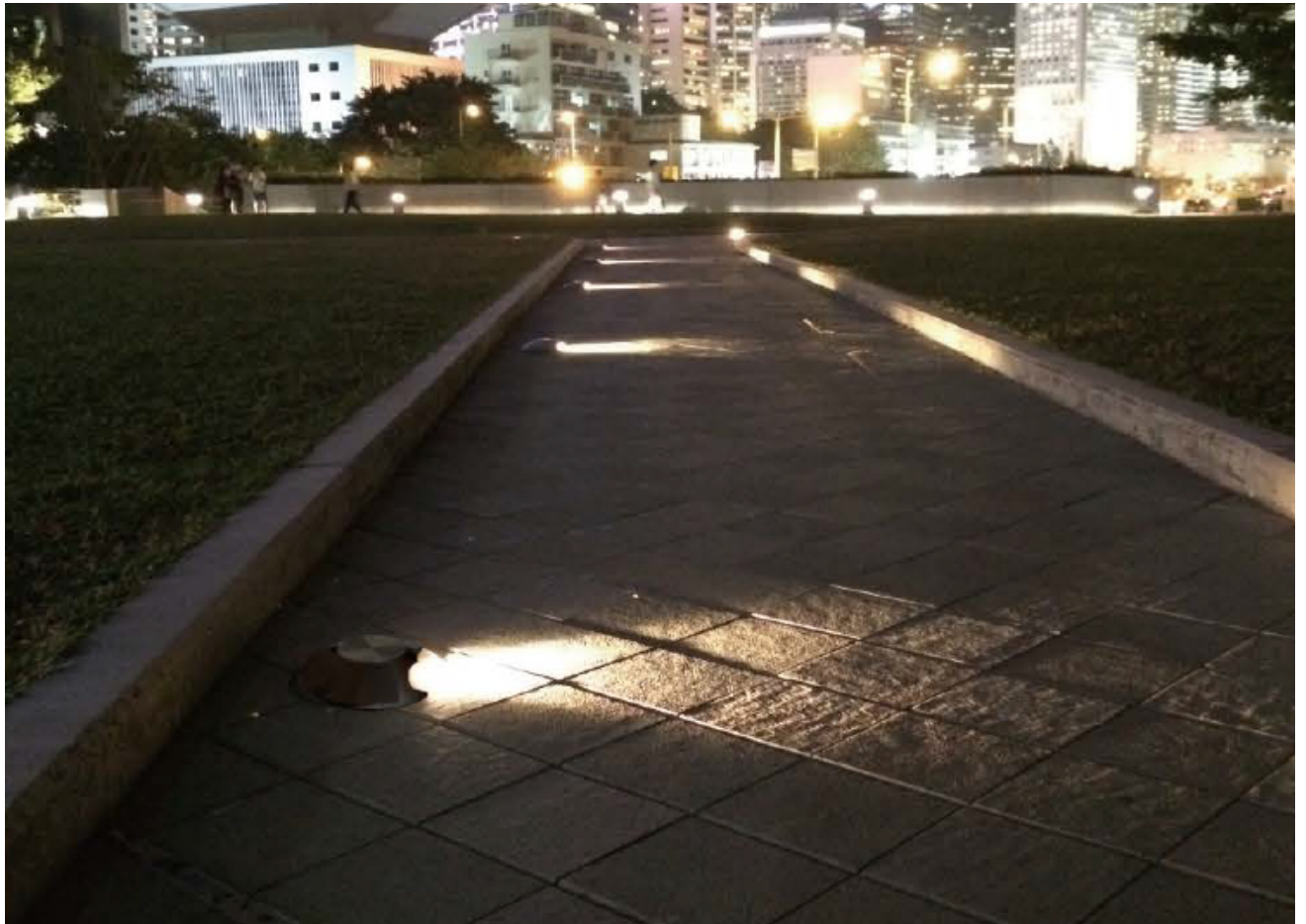
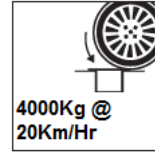


DIRECTION NIKKON SERIES



Description

350mA/500mA/750mA/1050mA



Due to continuous improvements, specifications may change without prior notice.



Technology Data

| Code | Lamp | Output power | Dome Dia | LED Color | Lumen | Voltage | Directions | Body | LED |
|------------------|------|--------------|---------------|-----------|----------------|-----------|------------|-----------------|-----|
| NIKKON DIRECTION | LED | 1.2W 2.4W | 105mm 170mm | 2700K | 60-75 Lum/Watt | 100 - 240 | Single | Aluminium | |
| | | 4.8W | | 3000K | | | Double | Stainless steel | |
| | | | | 4000K | | | 4 Side | | |
| | | | | 5000K | | | | | |

Wattage can be customizedly increased / decreased as per Site requirement



DIRECTION SERIES



Description

350mA/500mA/750mA/1050mA

The DIRECTION series is a new Inground Pathway Luminaries in Soft and High LED Version providing precision optical systems which gives very low glare rating, while reducing light pollution and specially designed for Pathway and in unique shape version ground mounted LED light in compact size design. DIRECTION Series luminaires are designed to offer functional, a wide range of lighting solutions and dramatic highlighting of the Pathway, Pedestrians areas, Squares, Residential and Malls through the design with superior finishing as well highest efficiency with a long service life.

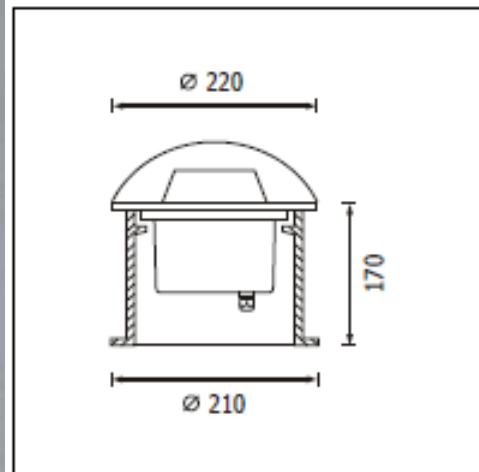
This exterior pathway luminaries with LED Products can be specified as Main Heavy Duty Die Cast Aluminium Body and Housing covered by Anti Corrosion resistant with 304 or 316 Marine Grade Stainless Steel frame. It can achieve the desired effect in a wide range of applications with high quality optical systems and for direct lighting. This product provide soft, uniform, enhancing special lighting effect that blends into the space being lit, to maximizes light beauty.

DIRECTIONS series is equipped with a uniquely designed for better protection and durability, easier installation and maintenance.

| | |
|--------------------|---|
| Body: | Heavy Duty Die-cast aluminium. 304 or 316 Marine Grade Stainless Steel opener. |
| Optical system: | Anodized aluminium Symmetrical reflector and UV resistant and Antiglare tempered Borosilicate glass lens diffuser. Silicon Rubber Gasket. Color Rendering Index is 80+. |
| Gear plate: | Galvanized steel plate, stainless steel fasten. |
| Finishing: | Surface anti-ageing electrostatic spray processing, super resistance to corrosion and chemical protection. |
| Driver : | Integrated for AC. Philips/OSRAM/Trdonic Atco / Eagle / Meanwell / Inventronics. |
| Loading Capacity : | 4000 Kgs pressure load of vehicle with pneumatic tyres with the speed not more than 20 Kms/Hr. |
| Accessories : | Die Cast Aluminium Recessing Box. |



Dimensions



Wattage can be customizedly increased / decreased as per Site requirement

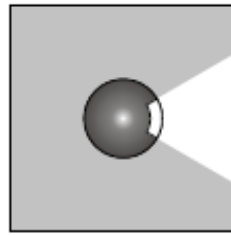
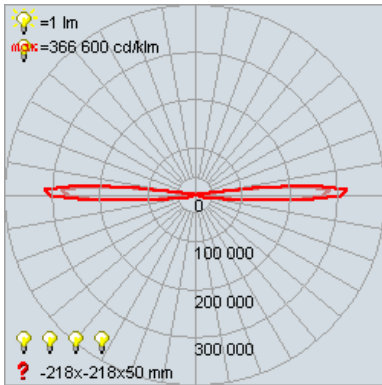
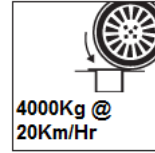


DIRECTION SERIES

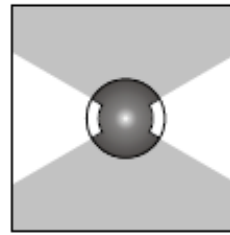


Description

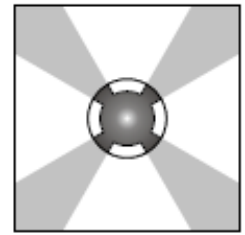
350mA/500mA/750mA/1050mA



one light sector 60°



two light sectors 60°



four light sectors 60°



Due to continuous improvements, specifications may change without prior notice.

Technology Data

| Code | Lamp | Output power | LED Color | Lumen | Voltage | Directions | LED |
|------------|------|----------------|-----------|-------|----------------|------------|-----|
| DIRECTIONS | LED | 1W x 3 LEDs* | 2700K | 270 | 100 - 240/277V | Single | |
| | | 2W x 3 LEDs* | 3000K | 540 | | Double | |
| | | 2.5W x 3 LEDs* | 4000K | | | 4 Side | |
| | | | 5000K | | | | |

* = Each directions

Wattage can be customizedly increased / decreased as per Site requirement



DIRECTION SERIES - Surface



Description

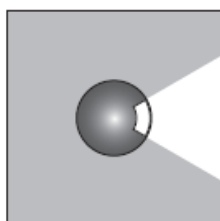
350mA/500mA/750mA/1050mA

The DIRECTIONS series is a new Surface Pathway Luminaries in Soft and High LED Version specially designed for Pathway and in unique shape version ground mounted LED light in compact size design. DIRECTIONS Series luminaires are designed to offer functional, a wide range of lighting solutions and dramatic highlighting of the architectural Landscapes of different Pathways, Pedestrians Areas, Squares, Malls through the design with superior finishing as well highest efficiency with a long service life.

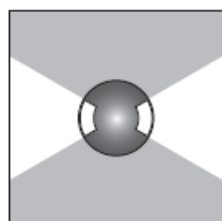
This exterior Inground pathway luminaries with LED Products can be specified as Main Heavy Duty Die Cast Aluminium Body and Housing covered by Anti Corrosion resistant with 304 or 316 Marine Grade Stainless Steel frame. It can achieve the desired effect in a wide range of applications with high quality optical systems and for direct lighting. This product provide soft, uniform, enhancing special lighting effect that blends into the space being lit, to maximizes light beauty.

Pathway series is equipped with a uniquely designed for better protection and durability, easier installation and maintenance.

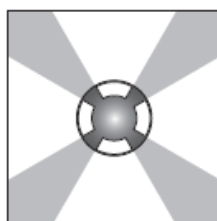
| | |
|-----------------------|---|
| Body: | Heavy Duty Die-cast aluminium 316 Marine Grade Stainless Steel. |
| Optical system: | Adopt modular light distribution lens, diffuser with super white, UV Resistant and Antiglare Heavy duty Polycarbonate lens diffuser. |
| LED | Highest quality LEDs. Maintaining a 3-Step MacAdam ellipse one bin only, creating perfect LED color consistency. |
| LED Life | 50,000 Hrs or more based on Climate /Ambient Temperature |
| Gear plate: | Galvanized steel plate, button design for opened device. Built in Electronics Driver (Meanwell / OSRAM / Tridonic Atco / Philips / Inventronics / Eagle, etc. Durable Silicon Rubber Gasket. 3000/4000/6000K CCT. Excellent heat dissipation. Color Rendering Index is 80+. |
| Luminaire Control: | Quick on/off connector when be open. |
| Finishing: | Surface anti-ageing electrostatic spray processing, super resistance to corrosion and chemical protection. |
| Operating Temperature | -30°C to 50° C |



one light sector 60°



two light sector 60°

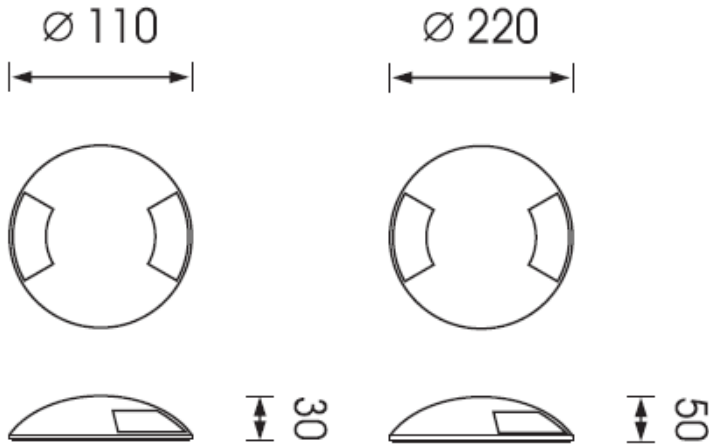
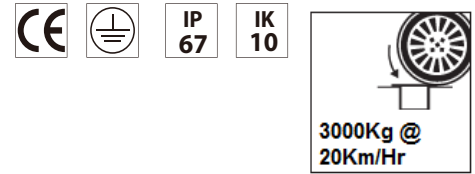


four light sector 60°



Due to continuous improvement, specifications may change without prior notice.

DIRECTION SERIES - Surface



Technology Data

| Code | Lamp | Output power | LED Color | Lumen | Voltage | Directions | LED |
|-------------|------------|--------------|-----------|-------------------|---------------|-------------------------|-----|
| DIRECTION 3 | LED | 3W | 2700K | 70-80 Lumens/Watt | DC 24V | 60° 2 x 60° 4 x 60° | |
| DIRECTION 6 | | 6W | 3000K | | DC 24V 230V | 60° 2 x 60° 4 x 60° | |
| | | | 4000K | | | | |
| | | | 5000K | | | | |

Dużo do continuous improvement, specifications may change without prior notice.



CANDY SERIES



Description

350mA/500mA/750mA/1050mA

The CANDY series is a new Wall recessed Asymmetrical Luminaries in Soft and Power LED Version specially designed for Facade and in unique shape version wall mounted LED light in compact size design. CANDY Series luminaires are designed to offer functional, a wide range of lighting solutions and dramatic highlighting of the architectural facades of different buildings through the design with superior finishing as well highest efficiency with a long service life.

This exterior wall mounted luminaries with LED Products can be specified as Die Cast Aluminium Frame, Body and Housing covered by Anti Corrosion resistant covering 5 Years of Warranty. It can achieve the desired effect in a wide range of applications with high quality optical systems and for direct lighting. This product provide soft, uniform, enhancing special lighting effect that blends into the space being lit, to maximizes light beauty.

CANDY series is equipped with a uniquely designed for better protection and durability, easier installation and maintenance.

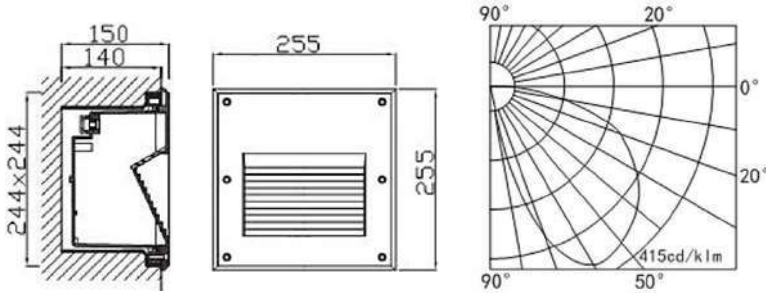
Dimension

| | |
|-----------------------|---|
| Body: | Heavy Duty Die-cast aluminium. |
| Optical system: | Adopt modular light distribution lens, diffuser with super white, UV Resistant and Antiglare Flat glass lens diffuser. |
| LED | Highest quality LEDs. Maintaining a 3-Step MacAdam ellipse one bin only, creating perfect LED color consistency. |
| LED Life | 50,000 Hrs or more based on Climate /Ambient Temperature |
| Gear plate: | Galvanized steel plate, button design for opened device. Built in Electronics Driver (Meanwell / OSRAM / Tridonic Atco / Philips / Inventronics / Eagle, etc. Durable Silicon Rubber Gasket. 3000/4000/6000K CCT. Excellent heat dissipation. Color Rendering Index is 80+. |
| Luminaire Control: | Quick on/off connector when be open. |
| Finishing: | Surface anti-ageing electrostatic spray processing, super resistance to corrosion and chemical protection. |
| Operating Temperature | -30°C to 50° C |
| Accessories | Recessing Box in High Density proolypropylene |



Due to continuous improvements, specifications may change without prior notice.

CANDY SERIES



Technology Data

| Code | Lamp | Output power | LED Color | Lumen | Voltage | driver | LED |
|-------|------|--------------|-----------|-------|------------|-------------|-----|
| CANDY | LED | 10W | 2700K | 740 | 100 - 277V | Eagle Rise | |
| | | 14W | 3000K | 960 | Dimmable | Meanwell | |
| | | 18W | 4000K | | | Inventronic | |
| | | | 5000K | | | | |





CALIBER SERIES



Description

350mA/500mA/750mA/1050mA

The Caliber series is a new Wall recessed Asymmetrical Luminaires in Soft and Power LED Version specially designed for Facade or Stairs and in unique shape version wall mounted LED light in compact size design. Caliber Series luminaires are designed to offer functional, a wide range of lighting solutions and dramatic highlighting of the architectural facades of different buildings through the design with superior finishing as well highest efficiency with a long service life.

This exterior wall mounted luminaires with LED Products can be specified as Die Cast Aluminium Frame, Body and Housing covered by Anti Corrosion resistant covering 5 Years of Warranty. It can achieve the desired effect in a wide range of applications with high quality optical systems and for direct lighting. This product provide soft, uniform, enhancing special lighting effect that blends into the space being lit, to maximizes light beauty.

Caliber series is equipped with a uniquely designed for better protection and durability, easier installation and maintenance.

| | |
|-----------------------|---|
| Body: | Heavy Duty Die-cast aluminium. |
| Optical system: | Adopt modular light distribution lens, diffuser with super white, UV Resistant and Antiglare Flat glass lens diffuser. |
| LED | Highest quality LEDs. Maintaining a 3-Step MacAdam ellipse one bin only, creating perfect LED color consistency. |
| LED Life | 50,000 Hrs or more based on Climate /Ambient Temperature |
| Gear plate: | Galvanized steel plate, button design for opened device. Built in Electronics Driver (Meanwell / OSRAM / Tridonic Atco / Philips / Inventronics / Eagle, etc. Durable Silicon Rubber Gasket. 3000/4000/6000K CCT. Excellent heat dissipation. Color Rendering Index is 80+. |
| Luminaire Control: | Quick on/off connector when be open. |
| Finishing: | Surface anti-ageing electrostatic spray processing, super resistance to corrosion and chemical protection. |
| Operating Temperature | -30°C to 50° C |
| Accessories | Recessing Box in High Density proolypropylene |



Dimension



Due to continuous improvements, specifications may change without prior notice.



CALIBER SERIES



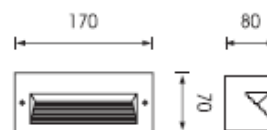
Description

350mA/500mA/750mA/1050mA

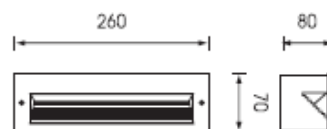


Technical Information

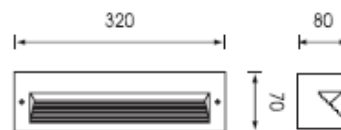
Power: 6W
Temp: 3000K - 4000K - 6000K
Surface Finish: White Black Silver Grey Graphite



Power: 12W
Temp: 3000K - 4000K - 6000K
Surface Finish: White Black Silver Grey Graphite



Power: 15W
Temp: 3000K - 4000K - 6000K
Surface Finish: White Black Silver Grey Graphite



Due to continuous improvements, specifications may change without prior notice.



CALIBER SERIES

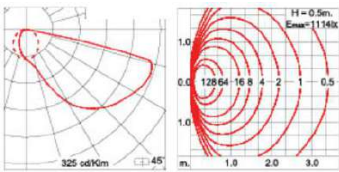


Description

350mA/500mA/750mA/1050mA



Due to continuous improvements, specifications may change without prior notice.



Technology Data

| Code | Lamp | Output power | LED Color | Lumen | Voltage | driver | LED |
|---------|---------|--------------|-----------|------------------|------------|-------------|-----|
| CALIBER | SMD LED | 6W | 2700K | 80 - 90 Lumens/W | 100 - 277V | Eagle | |
| | | 9W | 3000K | | DC 24V | Meanwell | |
| | | 12W | 4000K | | Dimmable | Inventronic | |
| | | 15W | 5000K | | | | |



CAPELLA SERIES



Description

350mA/500mA/750mA/1050mA

The CAPELLA series is a new Wall recessed Luminaries in Soft LED Version specially designed for Facade or Stairs and in unique shape version wall mounted LED light in compact size design. CAPELLA Series luminaires are designed to offer functional, a wide range of lighting solutions and dramatic highlighting of the architectural facades of different buildings through the design with superior finishing as well highest efficiency with a long service life.

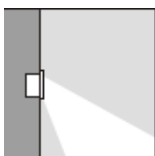
This exterior wall mounted luminaires with LED Products can be specified as Heavy Duty Die Cast Aluminium Frame, Body and Housing covered by Anti Corrosion resistant covering 5 Years of Warranty. It can achieve the desired effect in a wide range of applications with high quality optical systems and for direct lighting. This product provide soft, uniform, enhancing special lighting effect that blends into the space being lit, to maximizes light beauty.

CAPELLA series is equipped with a uniquely designed for better protection and durability, easier installation and maintenance.

| | |
|-----------------------|---|
| Body: | Heavy Duty Die-cast aluminium. |
| Optical system: | Adopt modular light distribution lens, diffuser with super white, UV Resistant and Antiglare Flat glass lens diffuser. |
| LED | Highest quality LEDs. Maintaining a 3-Step MacAdam ellipse one bin only, creating perfect LED color consistency. |
| LED Life | 50,000 Hrs or more based on Climate /Ambient Temperature |
| Gear plate: | Galvanized steel plate, button design for opened device. Built in Electronics Driver (Meanwell / OSRAM / Tridonic Atco / Philips / Inventronics / Eagle, etc. Durable Silicon Rubber Gasket. 3000/4000/6000K CCT. Excellent heat dissipation. Color Rendering Index is 80+. |
| Luminaire Control: | Quick on/off connector when be open. |
| Finishing: | Surface anti-ageing electrostatic spray processing, super resistance to corrosion and chemical protection. |
| Operating Temperature | -30°C to 50° C |
| Accessories | Recessing Box in High Density proolypropylene |



Dimension



Due to continuous improvement, specifications may change without prior notice.

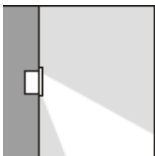
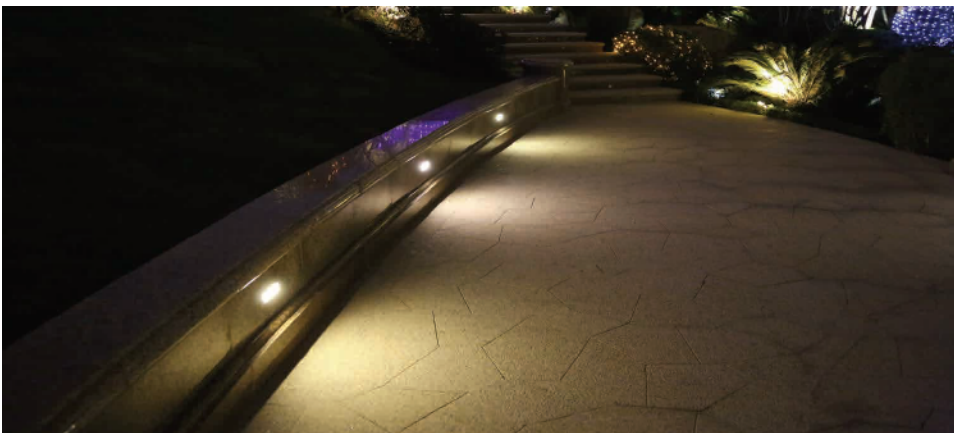
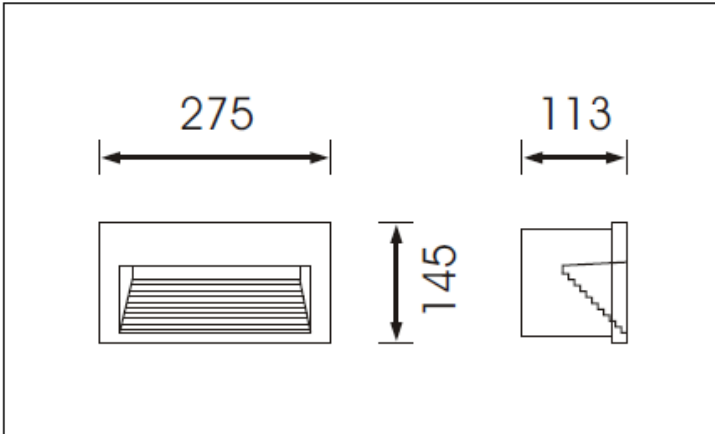


CAPELLA SERIES



Description

350mA/500mA/750mA/1050mA



Technology Data

| Code | Lamp | Output power | LED Color | Lumen | Voltage | Frame | LED |
|---------|---------|--------------|-----------|------------------|------------|-----------|-----|
| CAPELLA | SMD LED | 10W | 2700K | 60 - 70 Lumens/W | 100 - 277V | Aluminium | |
| | | 15W | 3000K | | DC 24V | | |
| | | | 4000K | | Dimmable | | |
| | | | 5000K | | | | |

Due to continuous improvement, specifications may change without prior notice.



HERCULES SERIES



Description

350mA/500mA/750mA/1050mA

The Hercules series is a new Wall recessed Luminaries in Soft and Power LED Version specially designed for Facade and in unique shape version wall mounted LED light in compact size design. Hercules Series luminaires are designed to offer functional, a wide range of lighting solutions and dramatic highlighting of the architectural facades of different buildings through the design with superior finishing as well highest efficiency with a long service life.

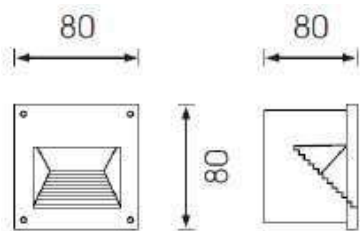
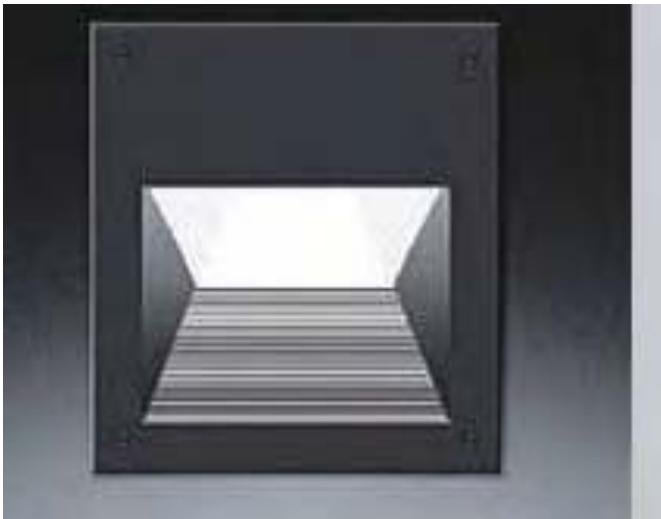
This exterior wall mounted luminaires with LED Products can be specified as Die Cast Aluminium Frame, Body and Housing covered by Anti Corrosion resistant covering 5 Years of Warranty. It can achieve the desired effect in a wide range of applications with high quality optical systems and for direct lighting. This product provide soft, uniform, enhancing special lighting effect that blends into the space being lit, to maximizes light beauty.

Hercules series is equipped with a uniquely designed for better protection and durability, easier installation and maintenance.

| | |
|-----------------------|---|
| Body: | Heavy Duty Die-cast aluminium. |
| Optical system: | Adopt modular light distribution lens, diffuser with super white, UV Resistant and Antiglare Flat glass lens diffuser. |
| LED | Highest quality LEDs. Maintaining a 3-Step MacAdam ellipse one bin only, creating perfect LED color consistency. |
| LED Life | 50,000 Hrs or more based on Climate /Ambient Temperature |
| Gear plate: | Galvanized steel plate, button design for opened device. Built in Electronics Driver (Meanwell / OSRAM / Tridonic Atco / Philips / Inventronics / Eagle, etc. Durable Silicon Rubber Gasket. 3000/4000/6000K CCT. Excellent heat dissipation. Color Rendering Index is 80+. |
| Luminaire Control: | Quick on/off connector when be open. |
| Finishing: | Surface anti-ageing electrostatic spray processing, super resistance to corrosion and chemical protection. |
| Operating Temperature | -30°C to 50° C |
| Accessories | Recessing Box in High Density prolypropylene |



Dimension



Due to continuous improvement, specifications may change without prior notice.

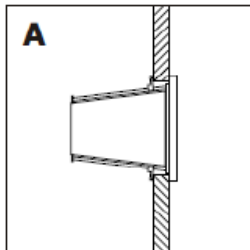
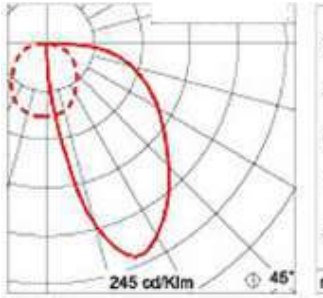


HERCULES SERIES

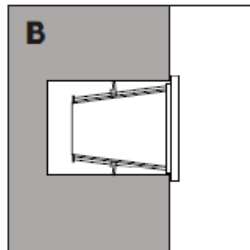


Description

350mA/500mA/750mA/1050mA



Wall panel installation



Solid wall installation



Technology Data

| Code | Lamp | Output power | LED Color | Lumen | Voltage | driver | LED |
|------------|------|--------------|-----------|----------|-------------|----------|-----|
| HERCULES A | LED | 2W | 2700K | 120 | 100 - 277V | Eagle | |
| | | | 3000K | | 85 - 265V | Meanwell | |
| | | | 4000K | DC 24V | Inventronic | | |
| | | | 5000K | Dimmable | | | |



NEUCLUS SERIES



Description

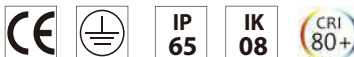
350mA/500mA/750mA/1050mA

The NEUCLUS series is a new Wall recessed Asymmetrical Luminaries in Soft LED Version specially designed for Facade or Stairs and in unique shape version wall mounted LED light in compact size design. NEUCLUS Series luminaires are designed to offer functional, a wide range of lighting solutions and dramatic highlighting of the architectural facades of different buildings through the design with superior finishing as well highest efficiency with a long service life.

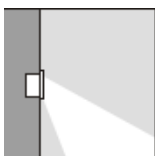
This exterior wall mounted luminaires with LED Products can be specified as Heavy Duty Die Cast Aluminium Frame, Body and Housing covered by Anti Corrosion resistant covering 5 Years of Warranty. It can achieve the desired effect in a wide range of applications with high quality optical systems and for direct lighting. This product provide soft, uniform, enhancing special lighting effect that blends into the space being lit, to maximizes light beauty.

NEUCLUS series is equipped with a uniquely designed for better protection and durability, easier installation and maintenance.

| | |
|-----------------------|---|
| Body: | Heavy Duty Die-cast aluminium. |
| Optical system: | Adopt modular light distribution lens, diffuser with super white, UV Resistant and Antiglare Flat glass lens diffuser. |
| LED | Highest quality LEDs. Maintaining a 3-Step MacAdam ellipse one bin only, creating perfect LED color consistency. |
| LED Life | 50,000 Hrs or more based on Climate /Ambient Temperature |
| Gear plate: | Galvanized steel plate, button design for opened device. Built in Electronics Driver (Meanwell / OSRAM / Tridonic Atco / Philips / Inventronics / Eagle, etc. Durable Silicon Rubber Gasket. 3000/4000/6000K CCT. Excellent heat dissipation. Color Rendering Index is 80+. |
| Luminaire Control: | Quick on/off connector when be open. |
| Finishing: | Surface anti-ageing electrostatic spray processing, super resistance to corrosion and chemical protection. |
| Operating Temperature | -30°C to 50° C |
| Accessories | Recessing Box in High Density proolypropylene |



Dimension



Due to continuous improvement, specifications may change without prior notice.

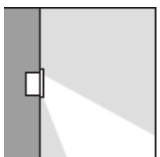
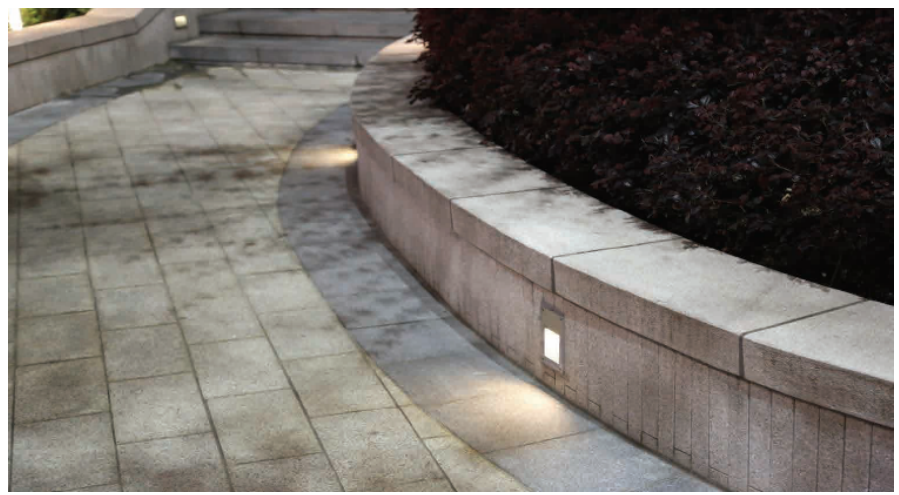
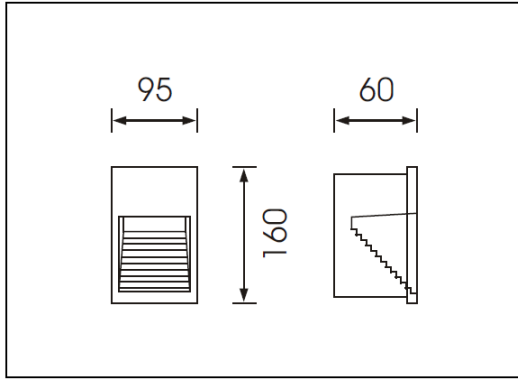




NEUCLUS SERIES

Description

350mA/500mA/750mA/1050mA



Technology Data

| Code | Lamp | Output power | LED Color | Lumen | Voltage | Frame | LED |
|---------|---------|--------------|-----------|------------------|------------|-----------|-----|
| NEUCLUS | SMD LED | 2W | 2700K | 60 - 70 Lumens/W | 100 - 277V | Aluminium | |
| | | 3W | 3000K | | DC 24V | | |
| | | | 4000K | | Dimmable | | |
| | | | 5000K | | | | |

Due to continuous improvement, specifications may change without prior notice.





BARBON SERIES

Description

350mA/500mA/750mA/1050mA

The BARBON series is a new Wall recessed Asymmetrical Luminaires in Soft LED Version specially designed for Facade or Stairs and in unique shape version wall mounted LED light in compact size design. BARBON Series luminaires are designed to offer functional, a wide range of lighting solutions and dramatic highlighting of the architectural facades of different buildings through the design with superior finishing as well highest efficiency with a long service life.

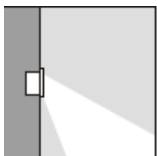
This exterior wall mounted luminaires with LED Products can be specified as Heavy Duty Die Cast Aluminium Frame, Body and Housing covered by Anti Corrosion resistant covering 5 Years of Warranty. It can achieve the desired effect in a wide range of applications with high quality optical systems and for direct lighting. This product provide soft, uniform, enhancing special lighting effect that blends into the space being lit, to maximizes light beauty.

BARBON series is equipped with a uniquely designed for better protection and durability, easier installation and maintenance.

| | |
|-----------------------|---|
| Body: | Heavy Duty Die-cast aluminium. |
| Optical system: | Adopt modular light distribution lens, diffuser with super white, UV Resistant and Antiglare Flat glass lens diffuser. |
| LED | Highest quality LEDs. Maintaining a 3-Step MacAdam ellipse one bin only, creating perfect LED color consistency. |
| LED Life | 50,000 Hrs or more based on Climate /Ambient Temperature |
| Gear plate: | Galvanized steel plate, button design for opened device. Built in Electronics Driver (Meanwell / OSRAM / Tridonic Atco / Philips / Inventronics / Eagle, etc. Durable Silicon Rubber Gasket. 3000/4000/6000K CCT. Excellent heat dissipation. Color Rendering Index is 80+. |
| Luminaire Control: | Quick on/off connector when be open. |
| Finishing: | Surface anti-ageing electrostatic spray processing, super resistance to corrosion and chemical protection. |
| Operating Temperature | -30°C to 50° C |
| Accessories | Recessing Box in High Density proolypropylene |



Dimension



Due to continuous improvement, specifications may change without prior notice.

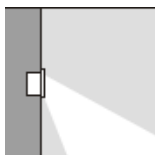
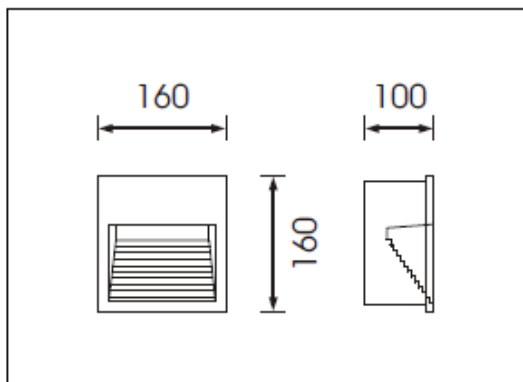




BARBON SERIES

Description

350mA/500mA/750mA/1050mA



Technology Data

| Code | Lamp | Output power | LED Color | Lumen | Voltage | Frame | LED |
|--------|---------|--------------|-----------|------------------|------------|-----------|-----|
| BARBON | SMD LED | 2W | 2700K | 60 - 70 Lumens/W | 100 - 277V | Aluminium | |
| | | 3W | 3000K | | DC 24V | | |
| | | | 4000K | | Dimmable | | |
| | | | 5000K | | | | |

Due to continuous improvement, specifications may change without prior notice.



MICRO PIXEL SERIES



Description

350mA/500mA/750mA/1050mA

The Micro Pixel series is a new Wall recessed mounted Asymmetrical Luminaries in Soft and Power LED Version specially designed for Stair Case and in unique version wall mounted LED light in compact size design. Micro Pixel Series luminaires are designed to offer functional, a wide range of lighting solutions and dramatic highlighting of the architectural facades of different buildings through the design with superior finishing as well highest efficiency with a long service life.

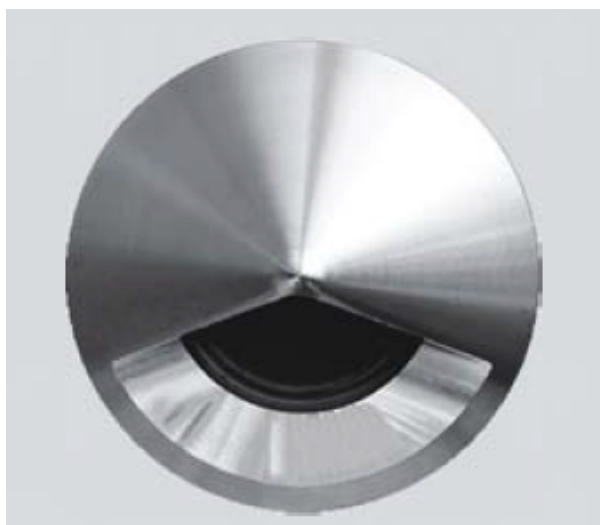
This exterior wall mounted luminaires with LED Products can be specified as Main Stainless Steel Frame or Heavy Duty Die Cast Aluminium frame and Housing covered by Anti Corrosion resistant. It can achieve the desired effect in a wide range of applications with high quality optical systems and for direct lighting. This product provide soft, uniform, enhancing special lighting effect that blends into the space being lit, to maximizes light beauty.

Micro Pixel series is equipped with a uniquely designed for better protection and durability, easier installation and maintenance.

| | |
|-----------------------|---|
| Body: | Heavy Duty Die-cast aluminium. |
| Optical system: | Adopt modular light distribution lens, diffuser with super white, UV Resistant and Antiglare Flat glass lens diffuser. |
| LED | Highest quality LEDs. Maintaining a 3-Step MacAdam ellipse one bin only, creating perfect LED color consistency. |
| LED Life | 50,000 Hrs or more based on Climate /Ambient Temperature |
| Gear plate: | Galvanized steel plate, button design for opened device. Built in Electronics Driver (Meanwell / OSRAM / Tridonic Atco / Philips / Inventronics / Eagle, etc. Durable Silicon Rubber Gasket. 3000/4000/6000K CCT. Excellent heat dissipation. Color Rendering Index is 80+. |
| Luminaire Control: | Quick on/off connector when be open. |
| Finishing: | Surface anti-ageing electrostatic spray processing, super resistance to corrosion and chemical protection. |
| Operating Temperature | -30°C to 50° C |
| Accessories | Recessing Box in High Density proolypropylene |



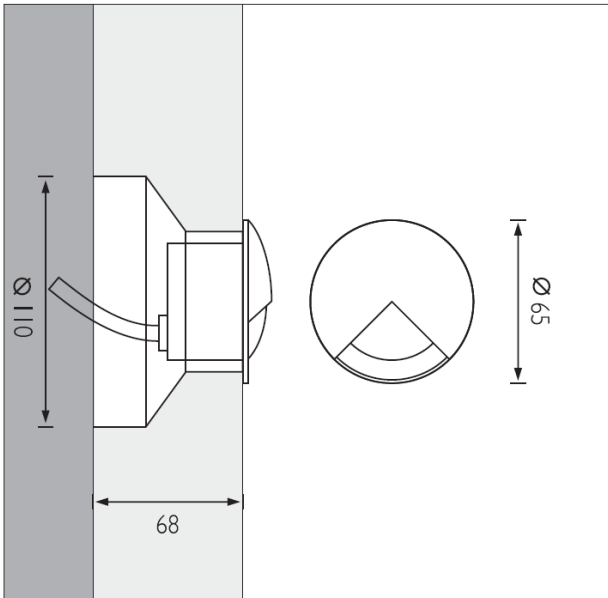
Dimensions



Due to continuous improvements, specifications may change without prior notice.



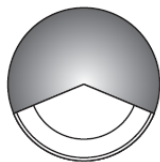
MICRO PIXEL SERIES



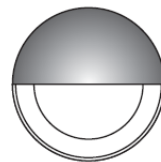
45° output



90° output



135° output

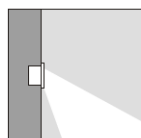
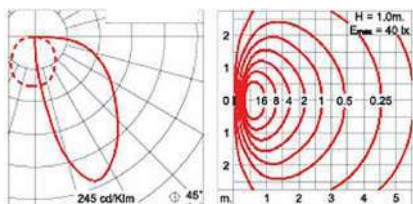



180° output

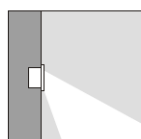
Due to continuous improvements, specifications may change without prior notice.




MICRO PIXEL SERIES




 with 1 x 1W / 3W Power LED
 with 45° output
 24VDC input




 with 1 x 1W / 3W Power LED
 with 135° output
 24VDC input



MICRO PIXEL SERIES



Due to continuous improvements, specifications may change without prior notice.

Technology Data

| Code | Lamp | Output power | LED Color | Lumen | Voltage | Degree Frame | LED |
|------------|------|--------------|------------|-------|------------|--------------|-----|
| MICROPIXEL | LED | 1W | 2700K | 85 | 100 - 277V | 45 | |
| | | 3W | 3000K | 241 | 85 - 265V | 135 | |
| | | | 4000K | | DC 24V | | |
| | | | 5000/6500K | | Dimmable | | |



CRAYON SERIES

Frameless



The CRAYON SLIM FRAMELESS series is a new Inground Recessed slim shape Wall Washer Luminaires in Soft and High LED or RGB Version specially designed for Facade and in unique structure design shape. CRAYON Series luminaires are designed to offer functional, a wide range of lighting solutions and dramatic highlighting of the architectural facades of different Buildings, Malls through the linear curved design with superior finishing as well highest efficiency with a long service life.

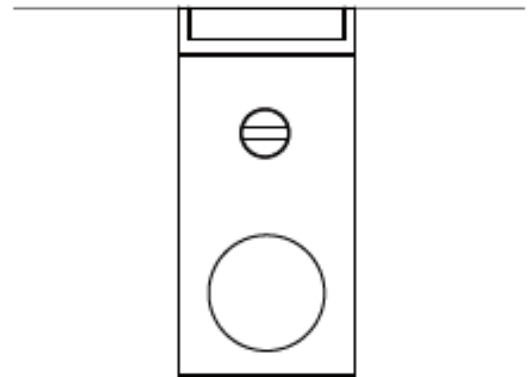
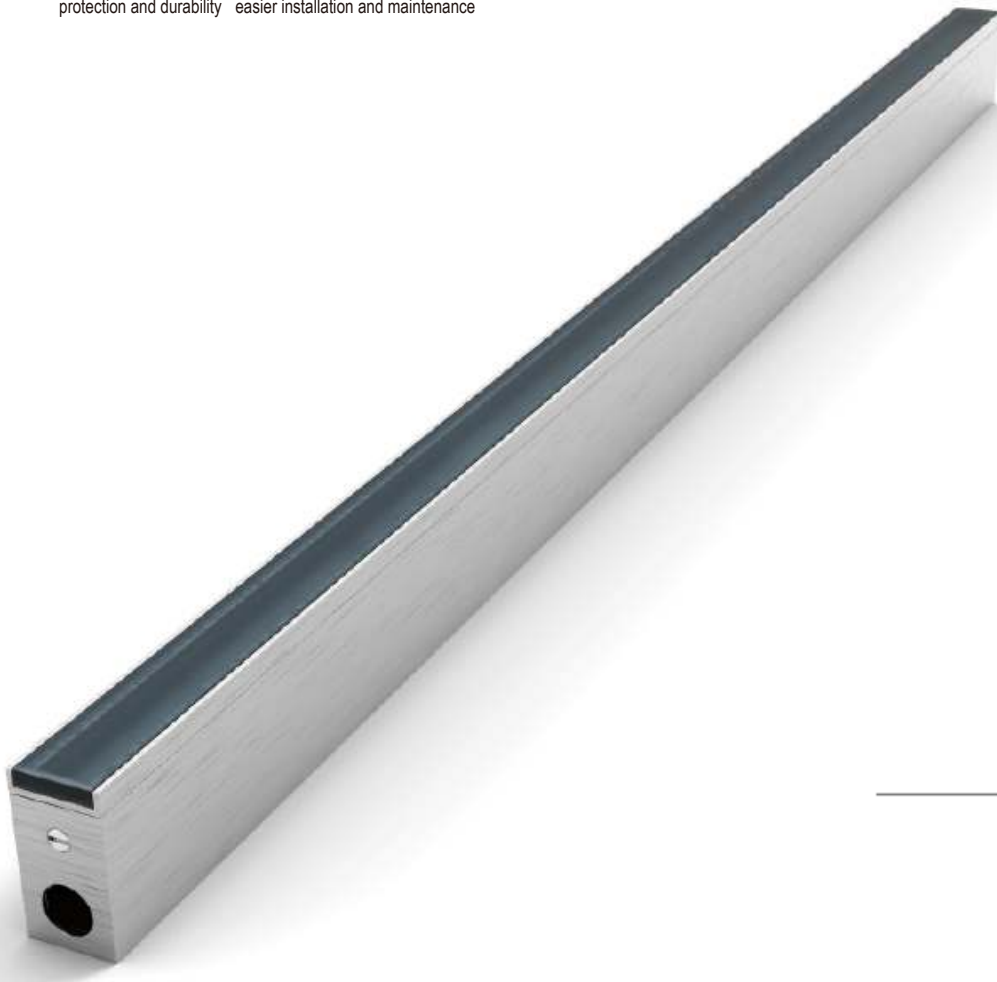
This exterior SLIM linear luminaires can be specified as Main Highest grade of Heavy Duty Extruded Aluminium Alloy Body and Housing covered by Anti Corrosion resistant with 304 or 316 Marine Grade Stainless Steel opener covering 5 Years of Warranty. It can achieve the desired effect in a wide range of applications with high quality optical systems and for direct lighting. This product provide soft, uniform, enhancing special lighting effect that blends into the space being lit, to maximizes light beauty.

CRAYON SLIM series is equipped with a uniquely designed or better protection and durability easier installation and maintenance

Description

350mA/500mA/750mA/1050mA

| | |
|-----------------------|---|
| Body: | Frameless 316 Grade Stainless Steel Body with recessing box.. |
| Optical system: | Adopt modular light distribution lens, diffuser with super white, UV Resistant and Antiglare tempered Flat glass lens diffuser. |
| LED | Highest quality LEDs. Maintaining a 3-Step MacAdam ellipse one bin only, creating perfect LED color consistency. |
| LED Life | 50,000 Hrs or more based on Climate /Ambient Temperature |
| Gear plate: | Galvanized steel plate, button design for opened device. Built in Electronics Driver (Meanwell / OSRAM / Tridonic Atco / Philips / Inventronics / Eagle, etc. Durable Silicon Rubber Gasket. 3000/4000/6000K CCT. Excellent heat dissipation. Color Rendering Index is 80+. |
| Luminaire Control: | Quick on/off connector when be open. |
| Finishing: | Surface anti-ageing electrostatic spray processing, super resistance to corrosion and chemical protection. |
| Operating Temperature | -30°C to 50° C |

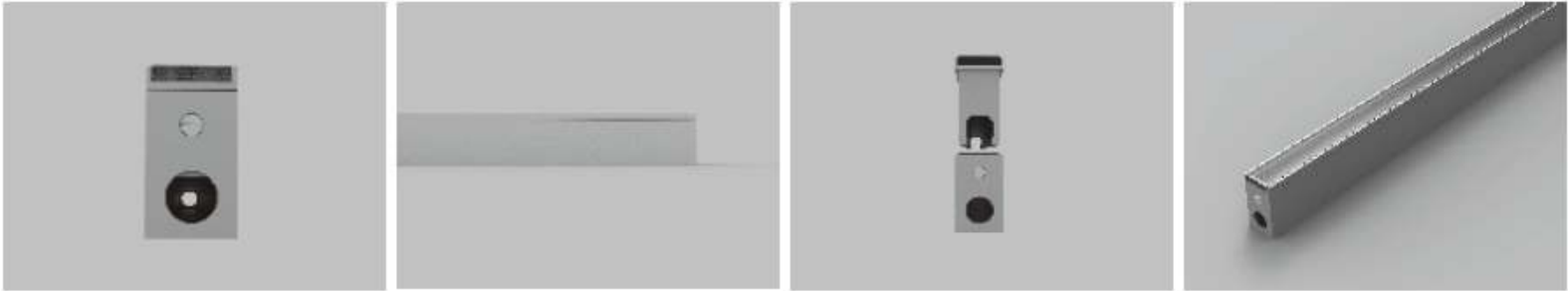


Due to continuous improvement, specifications may change without prior notice.

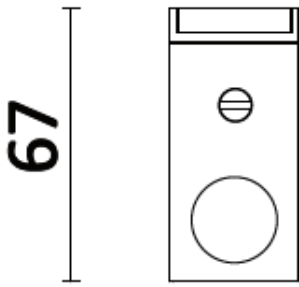


CRAYON SERIES

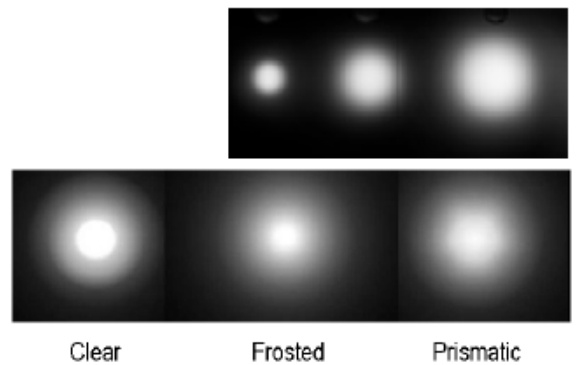
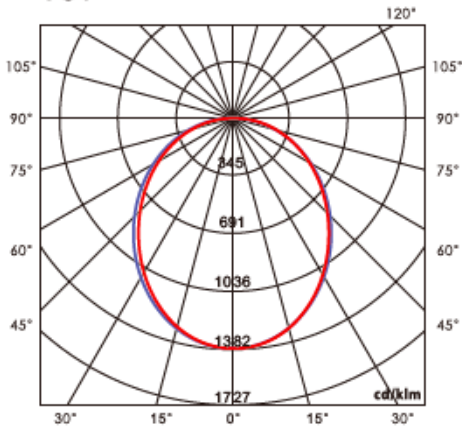
Frameless



32



107°



Technology

| Code | Lamp | LED Wattage | LED Color | Lumen | Voltage | Beam Optics |
|--------|------|-------------|-----------|---------------|----------|-------------|
| CRAYON | LED | 6W | 2700K | 60-70 @ 3000K | DC 24V | 120° |
| | | 12W | 3000K | 70-80 @ 4000K | Dimmable | |
| | | | 4000K | 80-90 @ 5000K | | |
| | | | 5000K | | | |
| | | | RGB | | | |





RADIUM SERIES



The RADIUM SLIM series is a new Inground Recessed slim shape Wall Washer Luminaries in Soft and High LED or RGB Version specially designed for Facade and in unique structure design shape. RADIUM Series luminaires are designed to offer functional, a wide range of lighting solutions and dramatic highlighting of the architectural facades of different Buildings, Malls through the linear curved design with superior finishing as well highest efficiency with a long service life.

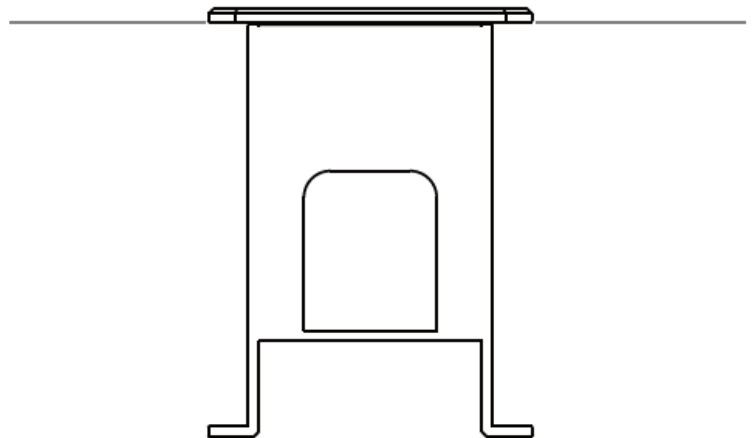
This exterior SLIM linear luminaries can be specified as Main Highest grade of Heavy Duty Extruded Aluminium Alloy Body and Housing covered by Anti Corrosion resistant with 304 or 316 Marine Grade Stainless Steel opener covering 5 Years of Warranty. It can achieve the desired effect in a wide range of applications with high quality optical systems and for direct lighting. This product provide soft, uniform, enhancing special lighting effect that blends into the space being lit, to maximizes light beauty.

RADIUM SLIM series is equipped with a uniquely designed or better protection and durability easier installation and maintenance

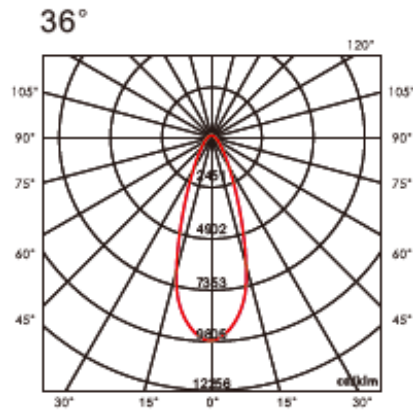
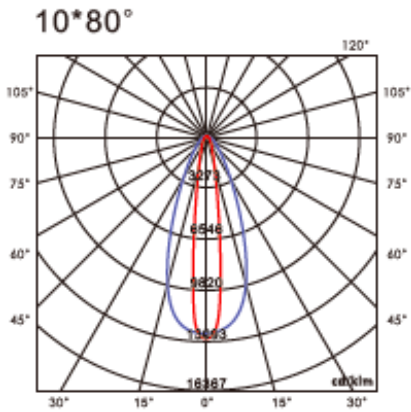
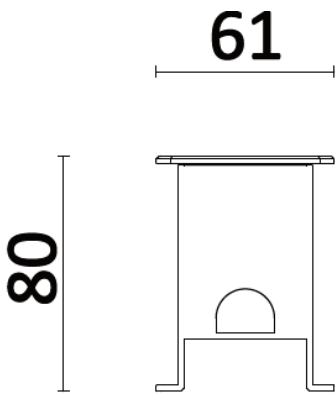
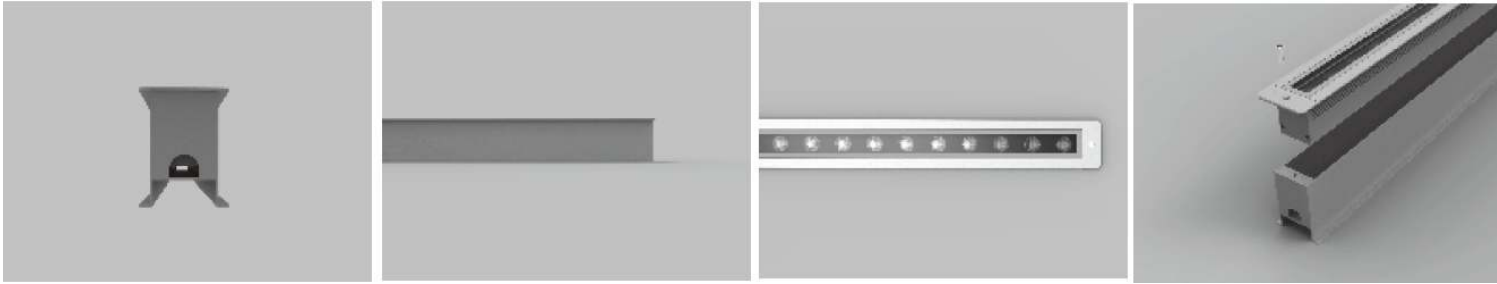
Description

350mA/500mA/750mA/1050mA

| | |
|-----------------------|---|
| Body: | 316 Grade Stainless Steel Body with recessing box.. |
| Optical system: | Adopt modular light distribution lens, diffuser with super white, UV Resistant and Antiglare tempered Flat glass lens diffuser. |
| LED | Highest quality LEDs. Maintaining a 3-Step MacAdam ellipse one bin only, creating perfect LED color consistency. |
| LED Life | 50,000 Hrs or more based on Climate /Ambient Temperature |
| Gear plate: | Galvanized steel plate, button design for opened device. Built in Electronics Driver (Meanwell / OSRAM / Tridonic Atco / Philips / Inventronics / Eagle, etc. Durable Silicon Rubber Gasket. 3000/4000/6000K CCT. Excellent heat dissipation. Color Rendering Index is 80+. |
| Luminaire Control: | Quick on/off connector when be open. |
| Finishing: | Surface anti-ageing electrostatic spray processing, super resistance to corrosion and chemical protection. |
| Operating Temperature | -30°C to 50° C |



RADIUM SERIES



Technology

| Code | Lamp | LED Wattage | LED Color | Lumen | Voltage | Beam Optics |
|--------|------|-------------|-----------|---------------|----------|-------------|
| RADIUM | LED | 18W | 2700K | 60-70 @ 3000K | DC 24V | 36° |
| | | 36W | 3000K | 70-80 @ 4000K | Dimmable | 10° x 80° |
| | | | 4000K | 80-90 @ 5000K | | |
| | | | 5000K | | | |
| | | | RGB | | | |



SKYWALK SERIES



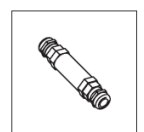
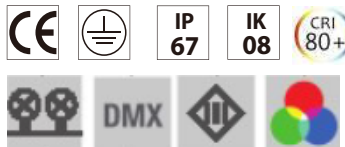
Description

The SKYWALK series is a new Inground Linear SLIM Uplight Luminaries in Soft SMD LED Version specially designed for walkway and in unique shape version ground mounted LED light in slim size design. SKYWALK Series luminaires are designed to offer functional, a wide range of lighting solutions and dramatic highlighting of the architectural of different Buildings, Malls through the design with superior finishing as well highest efficiency with a long service life.

This exterior Linear Uplight luminaries comes with Philips/CREE Soft SMD LEDs Products can be specified as Main Heavy Duty Extruded Aluminium Body and Housing covered by Anti Corrosion resistant. It can achieve the desired effect in a wide range of applications with high quality optical systems and for direct lighting. This product provide soft, uniform, enhancing special lighting effect that blends into the space being lit, to maximizes light beauty.

SKYWALK series is equipped with a uniquely designed for better protection and durability, easier installation and maintenance.

| | |
|--------------------|---|
| Body: | Heavy Duty Extruded aluminium Stainless Steel. |
| Optical system: | UV Resistance & Antiglare Matt Polycarbonate lens diffuser with maximum thickness and depth. |
| Gear plate: | Color Rendering Index is 80+. |
| Finishing: | Galvanized Aluminium plate, stainless steel fasten. Silicon Rubber Gasket. Surface anti-ageing electrostatic spray processing, super resistance to corrosion. |
| Driver : | Remote for DC. |
| Loading Capacity : | 2000 Kgs pressure load of vehicle with pneumatic tyres with the speed not more than 20 Kms/Hr. |
| Accessories : | Remote DC 24V IP 65 Rated Drivers. Cables etc. |

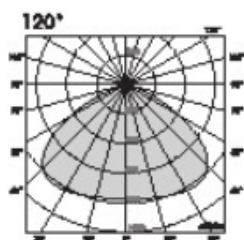
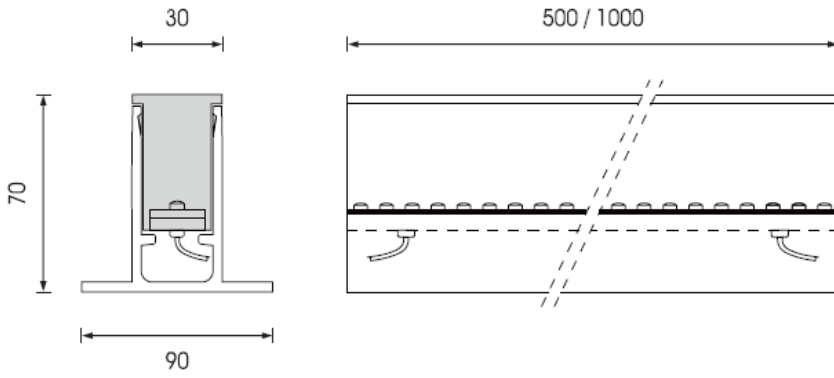
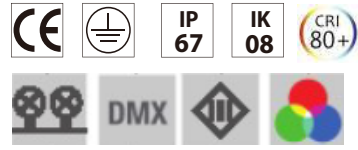


IP68 Connector

Wattage can be customizedly increased / decreased as per Site requirement



SKY WALK SERIES

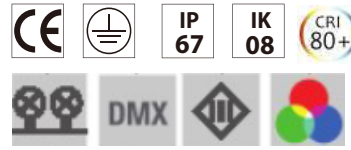


Light Distributions

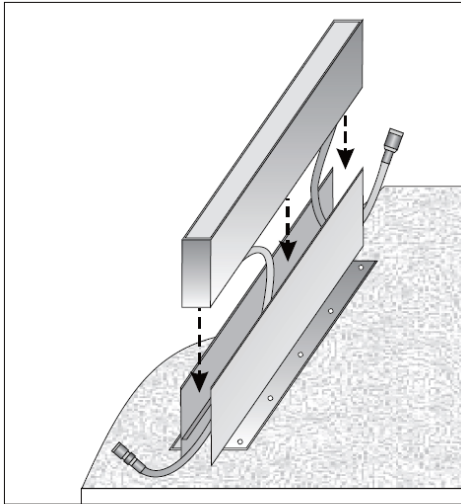
Wattage can be customizedly increased / decreased as per Site requirement



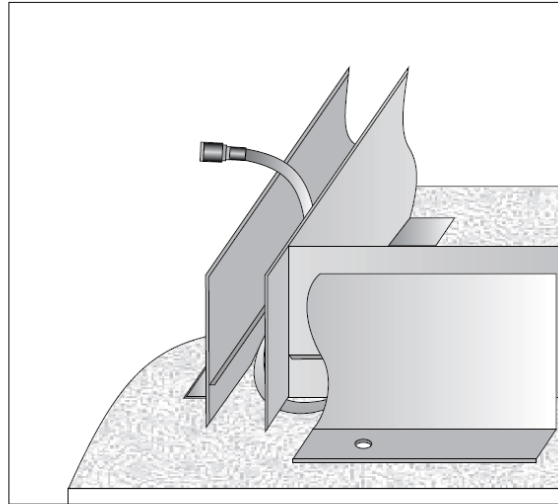
SKY WALK SERIES



Installations



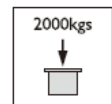
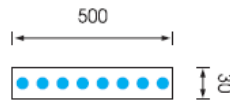
Line connection



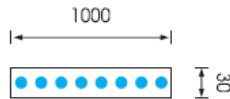
Across connection

Technical Information

Power: 9W 24VDC
 Temp: 3000K - 4000K - 6000K



Power: 18W 24VDC
 Temp: 3000K - 4000K - 6000K



Technology Data

| Code | Lamp | Output power | LED Color | Lumen | Voltage | Reflection Optics | Beam Optics | LED |
|-----------------|------|--------------|-----------|------------------|---------|-------------------|-------------|-----|
| SKY WALK SERIES | LED | 9W SoftLED | 2700K | 60 – 70 Lumens/W | DC 24V | Symmetric | 120° | |
| | | 18W Soft LED | 3000K | | | | | |
| | | | 4000K | | | | | |
| | | | 5000K | | | | | |
| | | | RGB | | | | | |



Wattage can be customizedly increased / decreased as per Site requirement



Due to continuous improvements, specifications may change without prior notice.

PANORAMA SERIES



Description

350mA/500mA/750mA/1050mA

The PANORAMA series is a new Wall Surface Mounted Luminaries in Soft and Power LED Version specially designed for Facade and in unique shape version wall mounted LED light in compact size design. PANORAMA Series luminaires are designed to offer functional, a wide range of lighting solutions and dramatic highlighting of the architectural facades and different buildings through the design with superior finishing as well highest efficiency with a long service life.

This exterior wall mounted luminaries with LED Products can be specified as Die Cast Aluminium Frame, Body and Housing covered by Anti Corrosion resistant covering 5 Years of Warranty. It can achieve the desired effect in a wide range of applications with high quality optical systems and for direct lighting. This product provide soft, uniform, enhancing special lighting effect that blends into the PANORAMA series is equipped with a uniquely designed for better protection and durability, easier installation and maintenance.

| | |
|-----------------------|---|
| Body: | Heavy Duty Die-cast aluminium. |
| Optical system: | Adopt modular light distribution lens, diffuser with super white, UV Resistant and Antiglare tempered Flat glass lens diffuser. |
| LED | Highest quality LEDs. Maintaining a 3-Step MacAdam ellipse one bin only, creating perfect LED color consistency. |
| LED Life | 50,000 Hrs or more based on Climate /Ambient Temperature |
| Gear plate: | Galvanized steel plate, button design for opened device. Built in Electronics Driver (Meanwell / OSRAM / Tridonic Atco / Philips / Inventronics / Eagle, etc. Durable Silicon Rubber Gasket. 3000/4000/6000K CCT. Excellent heat dissipation. Color Rendering Index is 80+. |
| Luminaire Control: | Quick on/off connector when be open. |
| Finishing: | Surface anti-ageing electrostatic spray processing, super resistance to corrosion and chemical protection. |
| Operating Temperature | -30°C to 50° C |



Dimension



Due to continuous improvements, specifications may change without prior notice.

Wattage can be customizedly increased / decreased as per Site requirement



PANORAMA SERIES

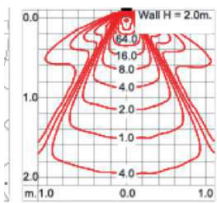
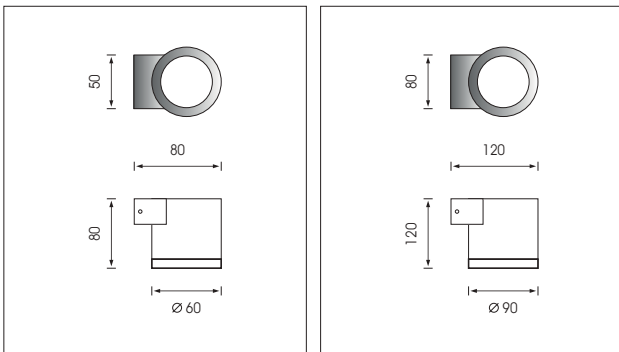


Description

350mA/500mA/750mA/1050mA



Dimension



Technology Data

| Code | Lamp | Output power | LED Color | Lumen | Voltage | Beam | LED |
|----------|------|--------------|-----------|-------------------|------------|--------|-----|
| PANORAMA | LED | 3W | 2700K | 70-90 Lumens/Watt | 100 - 240V | Narrow | |
| | | 6W | 3000K | | Dimmable | Medium | |
| | | | 4000K | | | Wide | |
| | | | 5000K | | | | |

Wattage can be customizedly increased / decreased as per Site requirement



MICROJET SERIES



Description

350mA/500mA/750mA/1050mA

The Micro Jet series is a new Wall Surface mounted symmetrical Luminaires in Soft and Power LED Version specially designed for Facade or Stairs and in unique shape version wall mounted LED light in compact size design. Microjet Series luminaires are designed to offer functional, a wide range of lighting solutions and dramatic highlighting of the architectural facades of different buildings through the design with superior finishing as well highest efficiency with a long service life.

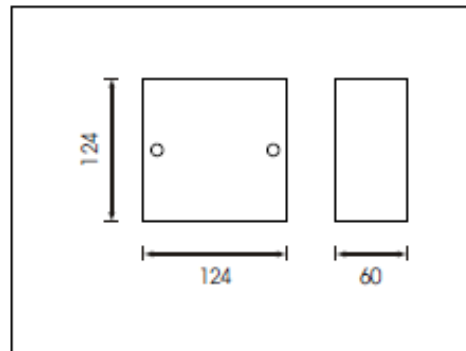
This exterior wall mounted luminaires with LED Products can be specified as Die Cast Aluminium Frame, Body and Housing covered by Anti Corrosion resistant covering 5 Years of Warranty. It can achieve the desired effect in a wide range of applications with high quality optical systems and for direct lighting. This product provide soft, uniform, enhancing special lighting effect that blends into the space being lit, to maximizes light beauty.

Micro Jet series is equipped with a uniquely designed for better protection and durability, easier installation and maintenance.

Body: Heavy Duty Die-cast aluminium.
 Optical system: Adopt modular light distribution lens, diffuser with super white, UV Resistant and Antiglare tempered Flat glass lens diffuser.
 LED: Highest quality LEDs. Maintaining a 3-Step MacAdam ellipse one bin only, creating perfect LED color consistency.
 LED Life: 50,000 Hrs or more based on Climate / Ambient Temperature
 Gear plate: Galvanized steel plate, button design for opened device. Built in Electronics Driver (Meanwell / OSRAM / Tridonic Atco / Philips / Inventronics / Eagle, etc. Durable Silicon Rubber Gasket. 3000/4000/6000K CCT. Excellent heat dissipation. Color Rendering Index is 80+.
 Luminaire Control: Quick on/off connector when be open.
 Finishing: Surface anti-ageing electrostatic spray processing, super resistance to corrosion and chemical protection.
 Operating Temperature -30°C to 50° C



Dimension



Du\$ to continuous improv\$ m\$nts, specifications may change without prior notice.

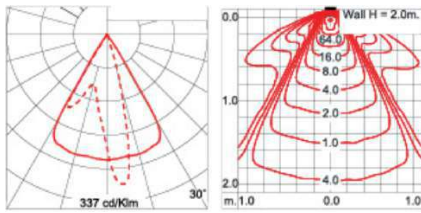


MICROJET SERIES



Description

350mA/500mA/750mA/1050mA



Technology Data

| Code | Lamp | Output power | LED Color | Lumen | Voltage | driver | LED |
|-----------|------|--------------|-----------|-------------------|------------|-------------|-----|
| MICRO JET | LED | 3W | 2700K | 75-85 Lumens/Watt | 100 - 277V | Eagle | |
| | | 6W | 3000K | | 85 - 265V | Meanwell | |
| | | | 4000K | | DC 24V | Inventronic | |
| | | | 5000K | | Dimmable | | |



MICROJET SERIES



Description

350mA/500mA/750mA/1050mA



IP
65

IK
08



Due to continuous improvement in this series, specifications may change without prior notice.



RADO SERIES



Description

350mA/500mA/750mA/1050mA

The RADO series is a new Wall surface mounted Luminaires in Power LED Version providing precision optical systems which gives very low glare rating, while reducing light pollution and specially designed for Facade and in unique round version wall mounted LED light in compact size design. RADO Series luminaires are designed to offer functional, a wide range of lighting solutions and dramatic highlighting of the architectural facades of different buildings through the design with superior finishing as well highest efficiency with a long service life.

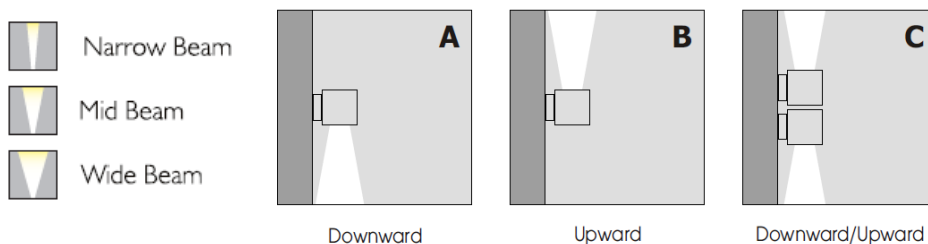
This exterior wall mounted luminaires with LED Products can be specified as Main Heavy Duty Die Cast Aluminium Body and Housing covered by Anti Corrosion resistant. It can achieve the desired effect in a wide range of applications with high quality optical systems and for direct lighting. This product provide soft, uniform, enhancing special lighting effect that blends into the space being lit, to maximizes light beauty.

RADO series is equipped with a uniquely designed for better protection and durability, easier installation and maintenance.

| | |
|-----------------------|---|
| Body: | Heavy Duty Die-cast aluminium. |
| Optical system: | Adopt modular light distribution lens, diffuser with super white, UV Resistant and Antiglare tempered Flat glass lens diffuser. |
| LED | Highest quality LEDs. Maintaining a 3-Step MacAdam ellipse one bin only, creating perfect LED color consistency. |
| LED Life | 50,000 Hrs or more based on Climate / Ambient Temperature |
| Gear plate: | Galvanized steel plate, button design for opened device. Built in Electronics Driver (Meanwell / OSRAM / Tridonic Atco / Philips / Inventronics / Eagle, etc. Durable Silicon Rubber Gasket. 3000/4000/6000K CCT. Excellent heat dissipation. Color Rendering Index is 80+. |
| Luminaire Control: | Quick on/off connector when be open. |
| Finishing: | Surface anti-ageing electrostatic spray processing, super resistance to corrosion and chemical protection. |
| Operating Temperature | -30°C to 50° C |



Dimensions



Wattage can be customizedly increased / decreased as per Site requirement

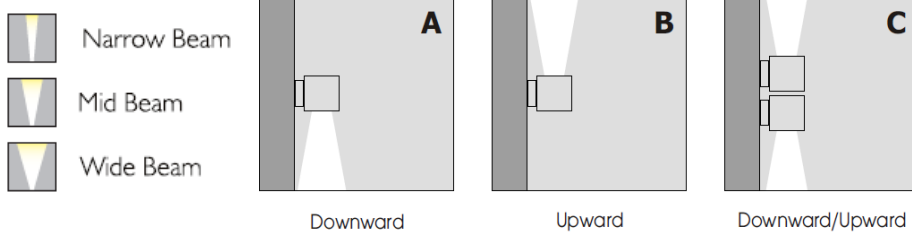
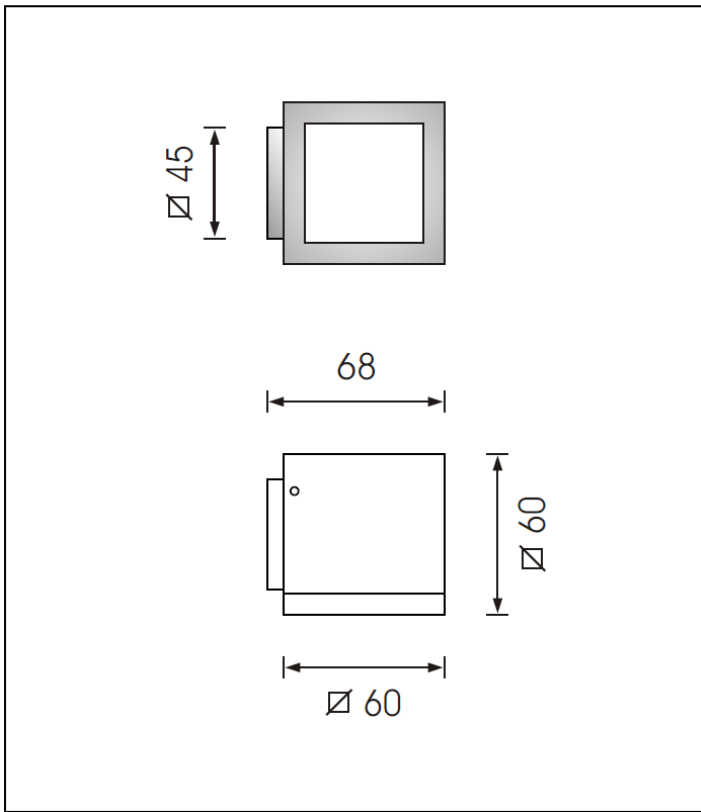


RADO SERIES



Description

350mA/500mA/750mA/1050mA



Wattage can be customizedly increased / decreased as per Site requirement





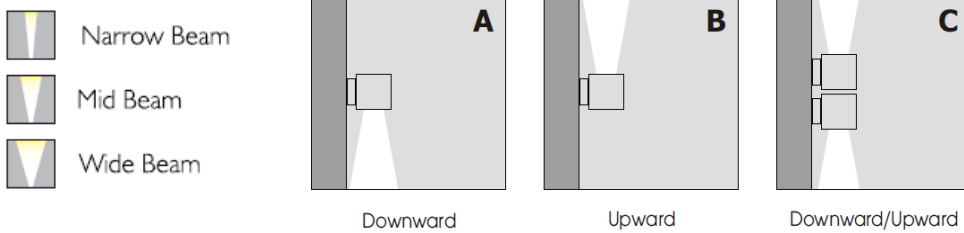
RADO SERIES

Description

350mA/500mA/750mA/1050mA



Duş to continuous improv.\$m\$mts, specifications may change without prior no



Technology Data

| Code | Lamp | Output power | LED Color | Lumen | Voltage | Beam | LED |
|------|------|--------------|------------|-------------------|------------|--------|-----|
| RADO | LED | 3W | 2700K | 85-95 Lumens/Watt | 100 - 240V | Narrow | |
| | | 6W | 3000K | | Dimmable | Medium | |
| | | 9W | 4000K | | | Wide | |
| | | | 5000/6500K | | | | |

Wattage can be customizedly increased / decreased as per Site requirement



CHARLIE SERIES SINGLE



Description

350mA/500mA/750mA/1050mA

The Charlie series is a new Wall surface mounted Luminaires in Power LED Version providing precision optical systems which gives very low glare rating, while reducing light pollution and specially designed for Facade and in unique round version wall mounted LED light in compact size design. Charlie Series luminaires are designed to offer functional, a wide range of lighting solutions and dramatic highlighting of the architectural facades of different buildings through the design with superior finishing as well highest efficiency with a long service life.

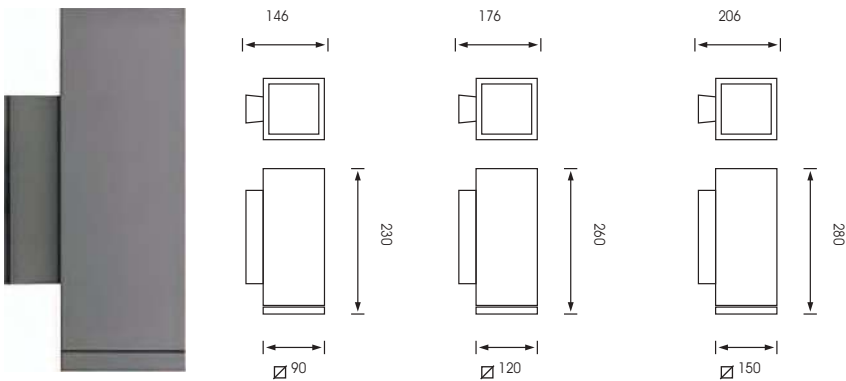
This exterior wall mounted luminaires with LED Products can be specified as Main Heavy Duty Die Cast Aluminium Body and Housing covered by Anti Corrosion resistant. It can achieve the desired effect in a wide range of applications with high quality optical systems and for direct lighting. This product provide soft, uniform, enhancing special lighting effect that blends into the space being lit, to maximizes light beauty.

Charlie series is equipped with a uniquely designed for better protection and durability, easier installation and maintenance.

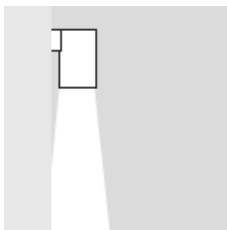
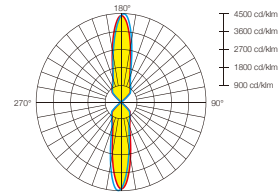
| | |
|-----------------------|---|
| Body: | Heavy Duty Die-cast aluminium. |
| Optical system: | Adopt modular light distribution lens, diffuser with super white, UV Resistant and Antiglare tempered Flat glass lens diffuser. |
| LED | Highest quality LEDs. Maintaining a 3-Step MacAdam ellipse one bin only, creating perfect LED color consistency. |
| LED Life | 50,000 Hrs or more based on Climate /Ambient Temperature |
| Gear plate: | Galvanized steel plate, button design for opened device. Built in Electronics Driver (Meanwell / OSRAM / Tridonic Atco / Philips / Inventronics / Eagle, etc. Durable Silicon Rubber Gasket. 3000/4000/6000K CCT. Excellent heat dissipation. Color Rendering Index is 80+. |
| Luminaire Control: | Quick on/off connector when be open. |
| Finishing: | Surface anti-ageing electrostatic spray processing, super resistance to corrosion and chemical protection. |
| Operating Temperature | -30°C to 50° C |



Dimensions



Optical Application



Clear

Frosted

Prismatic

Wattage can be customizedly increased / decreased as per Site requirement



Due to continuous improvement, specifications may change without prior notice.

CHARLIE SERIES DOUBLE



Description 350mA/500mA/750mA/1050mA

The Tango series is a new Wall surface mounted Luminaires in Power LED Version providing precision optical systems which gives very low glare rating, while reducing light pollution and specially designed for Facade and in unique round version wall mounted LED light in compact size design. Tango Series luminaires are designed to offer functional, a wide range of lighting solutions and dramatic highlighting of the architectural facades of different buildings through the design with superior finishing as well highest efficiency with a long service life.

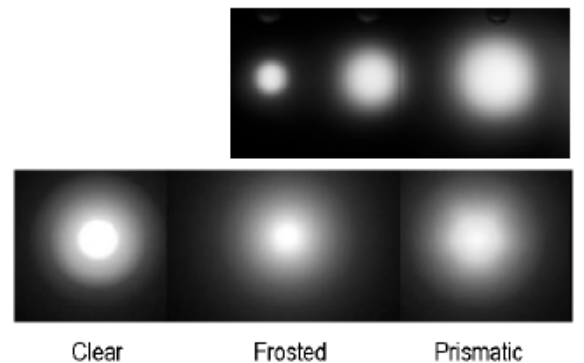
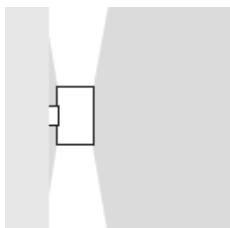
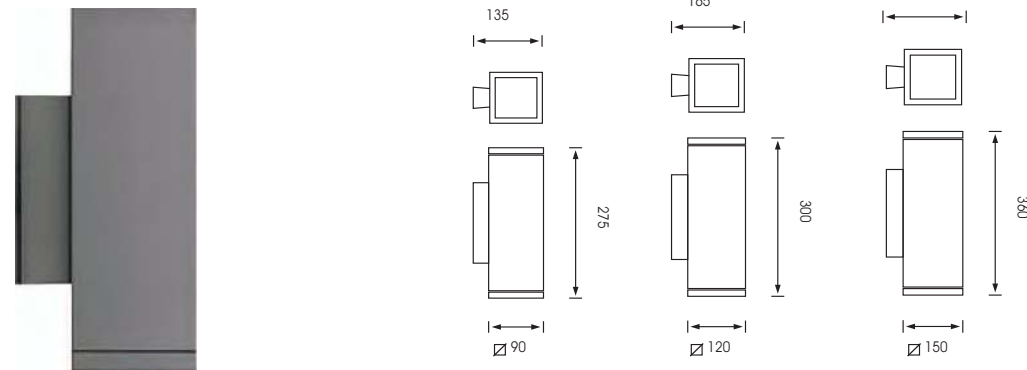
This exterior wall mounted luminaires with LED Products can be specified as Main Heavy Duty Die Cast Aluminium Body and Housing covered by Anti Corrosion resistant. It can achieve the desired effect in a wide range of applications with high quality optical systems and for direct lighting. This product provide soft, uniform, enhancing special lighting effect that blends into the space being lit, to maximizes light beauty.

Tango series is equipped with a uniquely designed for better protection and durability, easier installation and maintenance.

Body: Heavy Duty Die-cast aluminium.
 Optical system: Adopt modular light distribution lens, diffuser with super white, UV Resistant and Antiglare tempered Flat glass lens diffuser.
 LED: Highest quality LEDs. Maintaining a 3-Step MacAdam ellipse one bin only, creating perfect LED color consistency.
 LED Life: 50,000 Hrs or more based on Climate /Ambient Temperature
 Gear plate: Galvanized steel plate, button design for opened device. Built in Electronics Driver (Meanwell / OSRAM / Tridonic Atco / Philips / Inventronics / Eagle, etc. Durable Silicon Rubber Gasket. 3000/4000/6000K CCT. Excellent heat dissipation. Color Rendering Index is 80+.
 Luminaire Control: Quick on/off connector when be open.
 Finishing: Surface anti-ageing electrostatic spray processing, super resistance to corrosion and chemical protection.
 Operating Temperature: -30°C to 50° C



Dimensions



Wattage can be customizedly increased / decreased as per Site requirement



Duş to continuous improv\$ m \$ n t s ; specifications may change without prior notice.

CHARLIE SERIES



Clear Frosted Prismatic

Technology Data

| Code | Lamp | Output power | LED Color | Lumen | Voltage | Beam | LED |
|---------|------|--------------|------------|----------------|------------|--------|-----|
| CHARLIE | LED | 1/2 x 7W | 2700K | 85-95 Lum@Watt | 100 - 240V | Narrow | |
| | | 1/2 x 12W | 3000K | | Dimmable | Medium | |
| | | 1/2 x 20W | 4000K | | | Wide | |
| | | | 5000/6500K | | | | |

Wattage can be customizedly increased / decreased as per Site requirement



Due to continuous improvement, specifications may change without prior notice.



TANGO SERIES SINGLE



Description

350mA/500mA/750mA/1050mA

The Tango series is a new Wall surface mounted Luminaires in Power LED Version providing precision optical systems which gives very low glare rating, while reducing light pollution and specially designed for Facade and in unique round version wall mounted LED light in compact size design. Tango Series luminaires are designed to offer functional, a wide range of lighting solutions and dramatic highlighting of the architectural facades of different buildings through the design with superior finishing as well highest efficiency with a long service life.

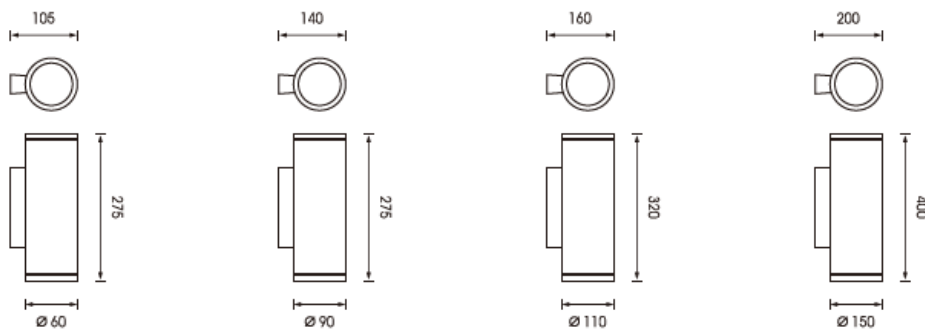
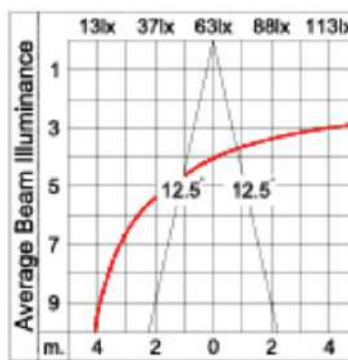
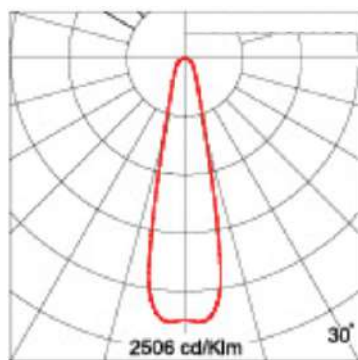
This exterior wall mounted luminaires with LED Products can be specified as Main Heavy Duty Die Cast Aluminium Body and Housing covered by Anti Corrosion resistant. It can achieve the desired effect in a wide range of applications with high quality optical systems and for direct lighting. This product provide soft, uniform, enhancing special lighting effect that blends into the space being lit, to maximizes light beauty.

Tango series is equipped with a uniquely designed for better protection and durability, easier installation and maintenance.

| | |
|-----------------------|---|
| Body: | Heavy Duty Die-cast aluminium. |
| Optical system: | Adopt modular light distribution lens, diffuser with super white, UV Resistant and Antiglare tempered Flat glass lens diffuser. |
| LED | Highest quality LEDs. Maintaining a 3-Step MacAdam ellipse one bin only, creating perfect LED color consistency. |
| LED Life | 50,000 Hrs or more based on Climate /Ambient Temperature |
| Gear plate: | Galvanized steel plate, button design for opened device. Built in Electronics Driver (Meanwell / OSRAM / Tridonic Atco / Philips / Inventronics / Eagle, etc. Durable Silicon Rubber Gasket. 3000/4000/6000K CCT. Excellent heat dissipation. Color Rendering Index is 80+. |
| Luminaire Control: | Quick on/off connector when be open. |
| Finishing: | Surface anti-ageing electrostatic spray processing, super resistance to corrosion and chemical protection. |
| Operating Temperature | -30°C to 50° C |



Dimensions



Clear Frosted Prismatic

Wattage can be customizedly increased / decreased as per Site requirement



Du\$ to continuous improv\$ment\$nt\$, specifications may change without prior notice.

TANGO SERIES DOUBLE



Description

350mA/500mA/750mA/1050mA

The Tango series is a new Wall surface mounted Luminaires in Power LED Version providing precision optical systems which gives very low glare rating, while reducing light pollution and specially designed for Facade and in unique round version wall mounted LED light in compact size design. Tango Series luminaires are designed to offer functional, a wide range of lighting solutions and dramatic highlighting of the architectural facades of different buildings through the design with superior finishing as well highest efficiency with a long service life.

This exterior wall mounted luminaires with LED Products can be specified as Main Heavy Duty Die Cast Aluminium Body and Housing covered by Anti Corrosion resistant. It can achieve the desired effect in a wide range of applications with high quality optical systems and for direct lighting. This product provide soft, uniform, enhancing special lighting effect that blends into the space being lit, to maximizes light beauty.

Tango series is equipped with a uniquely designed for better protection and durability, easier installation and maintenance.

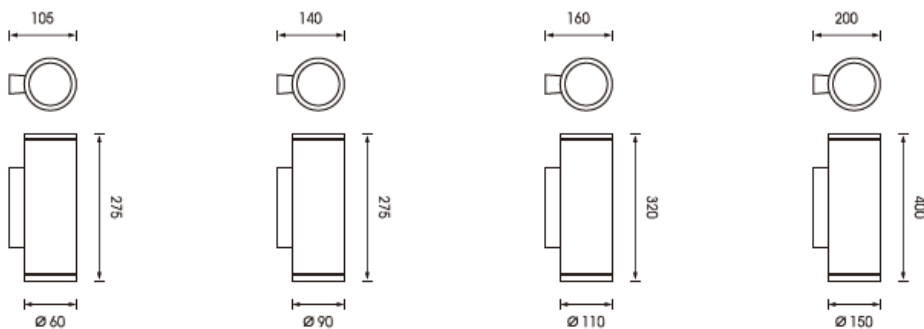
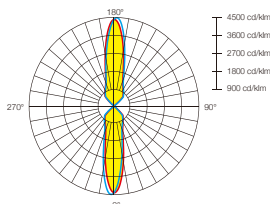
| | |
|-----------------------|---|
| Body: | Heavy Duty Die-cast aluminium. |
| Optical system: | Adopt modular light distribution lens, diffuser with super white, UV Resistant and Antiglare tempered Flat glass lens diffuser. |
| LED | Highest quality LEDs. Maintaining a 3-Step MacAdam ellipse one bin only, creating perfect LED color consistency. |
| LED Life | 50,000 Hrs or more based on Climate / Ambient Temperature |
| Gear plate: | Galvanized steel plate, button design for opened device. Built in Electronics Driver (Meanwell / OSRAM / Tridonic Atco / Philips / Inventronics / Eagle, etc. Durable Silicon Rubber Gasket. 3000/4000/6000K CCT. Excellent heat dissipation. Color Rendering Index is 80+. |
| Luminaire Control: | Quick on/off connector when be open. |
| Finishing: | Surface anti-ageing electrostatic spray processing, super resistance to corrosion and chemicals protection. |
| Operating Temperature | -30°C to 50° C |



Dimensions



Optical Application



Clear

Frosted

Prismatic

Wattage can be customizedly increased / decreased as per Site requirement



Duş to continuous improvşmşntş, specifications may change without prior no

TANGO SERIES



Clear Frosted Prismatic

Technology Data

| Code | Lamp | Output power | LED Color | Lumen | Voltage | Beam | LED |
|-------|------|--------------|------------|----------------|------------|--------|-----|
| TANGO | LED | 1/2 x 7W | 2700K | 85-95 Lum@Watt | 100 - 240V | Narrow | |
| | | 1/2 x 12W | 3000K | | Dimmable | Medium | |
| | | 1/2 x 20W | 4000K | | | Wide | |
| | | | 5000/6500K | | | | |

Wattage can be customizedly increased / decreased as per Site requirement



Due to continuous improvement, specifications may change without prior notice.

EUPHORIA SERIES



Description

350mA/500mA/750mA/1050mA

The EUPHORIA series is a new Wall surface mounted Luminaries in Power LED Version providing precision optical systems which gives very low glare rating, while reducing light pollution and specially designed for Facade and in unique round version wall mounted LED light in compact size design. EUPHORIA Series luminaires are designed to offer functional, a wide range of lighting solutions and dramatic highlighting of the architectural facades of different buildings through the design with superior finishing as well highest efficiency with a long service life.

This exterior wall mounted luminaries with LED Products can be specified as Main Heavy Duty Die Cast Aluminium Body and Housing covered by Anti Corrosion resistant. It can achieve the desired effect in a wide range of applications with high quality optical systems and for direct lighting. This product provide soft, uniform, enhancing special lighting effect that blends into the space being lit, to maximizes light beauty.




EUPHORIA series is equipped with a uniquely designed for better protection and durability, easier installation and maintenance.

| | |
|-----------------------|---|
| Body: | Heavy Duty Die-cast aluminium. |
| Optical system: | Adopt modular light distribution lens, diffuser with super white, UV Resistant and Antiglare tempered Flat glass lens diffuser. |
| LED | Highest quality LEDs. Maintaining a 3-Step MacAdam ellipse one bin only, creating perfect LED color consistency. |
| LED Life | 50,000 Hrs or more based on Climate / Ambient Temperature |
| Gear plate: | Galvanized steel plate, button design for opened device. Built in Electronics Driver (Meanwell / OSRAM / Tridonic Atco / Philips / Inventronics / Eagle, etc. Durable Silicon Rubber Gasket. 3000/4000/6000K CCT. Excellent heat dissipation. Color Rendering Index is 80+. |
| Luminaire Control: | Quick on/off connector when be open. |
| Finishing: | Surface anti-ageing electrostatic spray processing, super resistance to corrosion and chemical protection. |
| Operating Temperature | -30°C to 50° C |



Dimensions



-  Narrow Beam
-  Mid Beam
-  Wide Beam

Wattage can be customizedly increased / decreased as per Site requirement



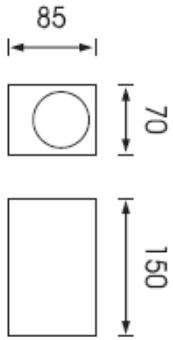
Duş to continuous improv\$-m\$nt\$, specifications may change without prior no

EUPHORIA SERIES



Description

350mA/500mA/750mA/1050mA



Technology Data

| Code | Lamp | Output power | LED Color | Lumen | Voltage | Beam | LED |
|----------|------|--------------|------------|-------------------|------------|--------|-----|
| EUPHORIA | LED | 1 x 6W | 2700K | 85-95 Lumens/Watt | 100 - 240V | Narrow | |
| | | 2 x 6W | 3000K | | Dimmable | Medium | |
| | | | 4000K | | | Wide | |
| | | | 5000/6500K | | | | |

Wattage can be customizedly increased / decreased as per Site requirement



ORBIT SERIES



Description

350mA/500mA/750mA/1050mA

The ORBIT series is a new Wall surface mounted Luminaries in Power LED Version providing precision optical systems which gives very low glare rating, while reducing light pollution and specially designed for Facade and in unique round version wall mounted LED light in compact size design. ORBIT Series luminaires are designed to offer functional, a wide range of lighting solutions and dramatic highlighting of the architectural facades of different buildings through the design with superior finishing as well highest efficiency with a long service life.

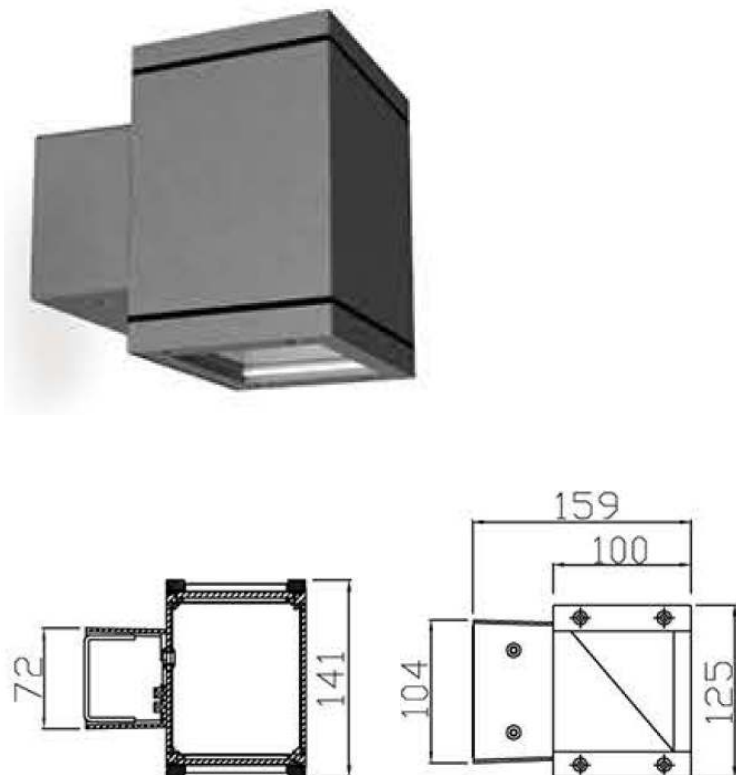
This exterior wall mounted luminaires with LED Products can be specified as Main Heavy Duty Die Cast Aluminium Body and Housing covered by Anti Corrosion resistant. It can achieve the desired effect in a wide range of applications with high quality optical systems and for direct lighting. This product provide soft, uniform, enhancing special lighting effect that blends into the space being lit, to maximizes light beauty.

ORBIT series is equipped with a uniquely designed for better protection and durability, easier installation and maintenance.

| | |
|-----------------------|---|
| Body: | Heavy Duty Die-cast aluminium. |
| Optical system: | Adopt modular light distribution lens, diffuser with super white, UV Resistant and Antiglare tempered Flat glass lens diffuser. |
| LED | Highest quality LEDs. Maintaining a 3-Step MacAdam ellipse one bin only, creating perfect LED color consistency. |
| LED Life | 50,000 Hrs or more based on Climate /Ambient Temperature |
| Gear plate: | Galvanized steel plate, button design for opened device. Built in Electronics Driver (Meanwell / OSRAM / Tridonic Atco / Philips / Inventronics / Eagle, etc. Durable Silicon Rubber Gasket. 3000/4000/6000K CCT. Excellent heat dissipation. Color Rendering Index is 80+. |
| Luminaire Control: | Quick on/off connector when be open. |
| Finishing: | Surface anti-ageing electrostatic spray processing, super resistance to corrosion and chemical protection. |
| Operating Temperature | -30°C to 50° C |
| Accessories | Recessing Box in High Density proolypropylene |



Dimensions



Options available in 5°, 8°, 15°, 30°, 60° Beam Degree optics

Technology Data



Clear

Frosted

Prismatic

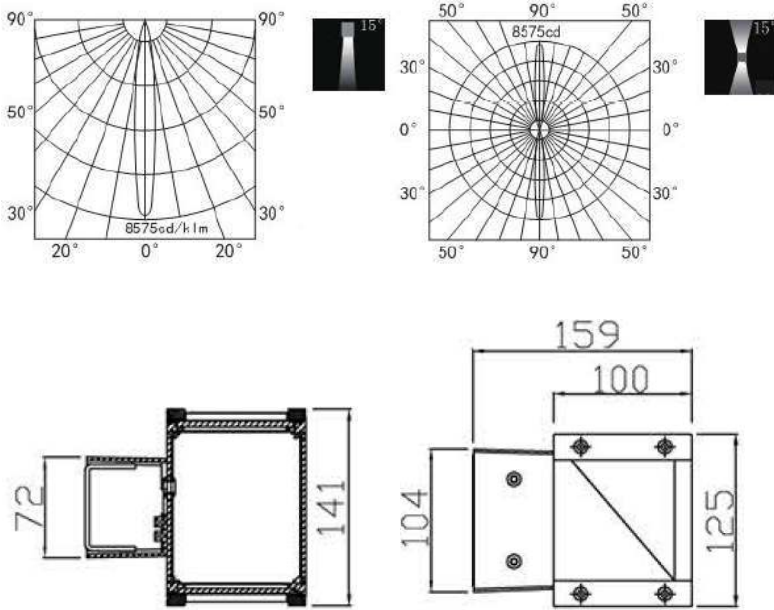


ORBIT SERIES



Description

350mA/500mA/750mA/1050mA



Options available in 5°, 8°, 15°, 30°, 60° Beam Degree optics



Clear Frosted Prismatic

Technology Data

| Code | Lamp | Output power | LED Color | Lumen | Voltage | Beam | LED |
|-------|------|--------------|------------|-------------------|------------|--------|-----|
| ORBIT | LED | 5W | 2700K | 85-90 Lumens/Watt | 100 - 240V | Narrow | |
| | | 9W | 3000K | | Dimmable | Medium | |
| | | 2 x 9W | 4000K | | | Wide | |
| | | | 5000/6500K | | | | |

Due to continuous improvement, specifications may change without prior notice.



TRIANGULI SERIES



Description

350mA/500mA/750mA/1050mA

The Trianguli series is a new Wall surface mounted Luminaires in Power LED Version providing precision optical systems which gives very low glare rating, while reducing light pollution and specially designed for Facade and in unique round version wall mounted LED light in compact size design. Trianguli Series luminaires are designed to offer functional, a wide range of lighting solutions and dramatic highlighting of the architectural facades of different buildings through the design with superior finishing as well highest efficiency with a long service life.

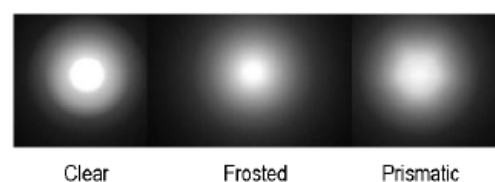
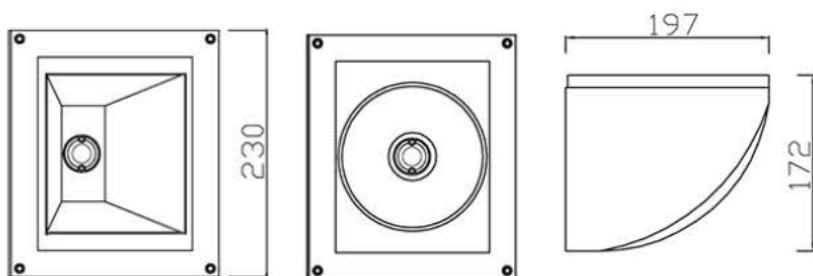
This exterior wall mounted luminaires with LED Products can be specified as Main Heavy Duty Die Cast Aluminium Body and Housing covered by Anti Corrosion resistant. It can achieve the desired effect in a wide range of applications with high quality optical systems and for direct lighting. This product provide soft, uniform, enhancing special lighting effect that blends into the space being lit, to maximizes light beauty.

Trianguli series is equipped with a uniquely designed for better protection and durability, easier installation and maintenance.

Body: Heavy Duty Die-cast aluminium.
 Optical system: Adopt modular light distribution lens, diffuser with super white, UV Resistant and Antiglare tempered Flat glass lens diffuser. Optics Available in Symmetric or Asymmetric Optics.
 LED: Highest quality LEDs. Maintaining a 3-Step MacAdam ellipse one bin only, creating perfect LED color consistency.
 LED Life: 50,000 Hrs or more based on Climate / Ambient Temperature
 Gear plate: Galvanized steel plate, button design for opened device. Built in Electronics Driver (Meanwell / OSRAM / Tridonic Atco / Philips / Inventronics / Eagle, etc. Durable Silicon Rubber Gasket. 3000/4000/6000K CCT. Excellent heat dissipation. Color Rendering Index is 80+.
 Luminaire Control: Quick on/off connector when be open.
 Finishing: Surface anti-ageing electrostatic spray processing, super resistance to corrosion and chemical protection.
 Operating Temperature: -30°C to 50° C



Dimensions

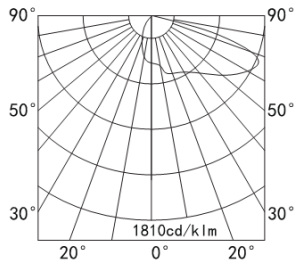
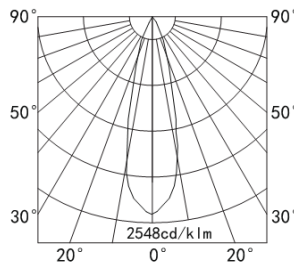
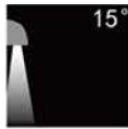
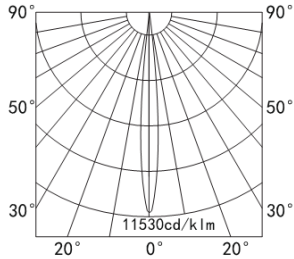


Wattage can be customizedly increased / decreased as per Site requirement



"#\$ %&!&(%(&#*)+&.\$%\$ (%*)'0'1%&(' (+12)'3! (4\$!5)%3&#%(-) &-(&%&!\$

TRIANGULI SERIES



Clear Frosted Prismatic

Technology Data

| Code | Lamp | Output power | LED Color | Lumen | Voltage | LED |
|----------------------|------|--------------|------------|-------------------|------------|-----|
| TRIANGULI SYMMETRIC | LED | 10W | 2700K | 85-95 Lumens@Watt | 100 - 240V | |
| TRIANGULI ASYMMETRIC | | 16W | 3000K | | | |
| | | 20W | 4000K | | | |
| | | 35W | 5000/6500K | | | |

Wattage can be customized increased / decreased as per Site requirement



\$\$\$ %&!&%(#&#*)+&.\$+&.\$+&.\$ (%*!&%(+12!3!1(4\$!5)%3&#%!.)&-(&%!\$

DOLBY SERIES



Description

350mA/500mA/750mA/1050mA

The DOLBY series is a new Wall Surface mounted symmetrical Luminaries in Soft and Power LED Version specially designed for Facade and in unique shape version wall and ceiling mounted LED light in compact size design. DOLBY Series luminaires are designed to offer functional, a wide range of lighting solutions and dramatic highlighting of the architectural facades of different buildings through the design with superior finishing as well highest efficiency with a long service life.

This exterior wall mounted luminaires with LED Products can be specified as Heavy Duty Die Cast Aluminium Body and Housing by Anti Corrosion resistant covering 5 Years of Warranty. It can achieve the desired effect in a wide range of applications with high quality optical systems and for direct lighting. This product provide soft, uniform, enhancing special lighting effect that blends into the space being lit, to maximizes light beauty.

DOLBY series is equipped with a uniquely designed for better protection and durability, easier installation and maintenance.

| | |
|-----------------------|---|
| Body: | Heavy Duty Die-cast aluminium. |
| Optical system: | Adopt modular light distribution lens, diffuser with super white, UV Resistant and Antiglare tempered Flat glass lens diffuser. |
| LED | Highest quality LEDs. Maintaining a 3-Step MacAdam ellipse one bin only, creating perfect LED color consistency. |
| LED Life | 50,000 Hrs or more based on Climate /Ambient Temperature |
| Gear plate: | Galvanized steel plate, button design for opened device. Built in Electronics Driver (Meanwell / OSRAM / Tridonic Atco / Philips / Inventronics / Eagle, etc. Durable Silicon Rubber Gasket. 3000/4000/6000K CCT. Excellent heat dissipation. Color Rendering Index is 80+. |
| Luminaire Control: | Quick on/off connector when be open. |
| Finishing: | Surface anti-ageing electrostatic spray processing, super resistance to corrosion and chemical protection. |
| Operating Temperature | -30°C to 50° C |
| Accessories | Recessing Box in High Density proolypropylene |



Dimension



Wattage can be customizedly increased / decreased as per Site requirement

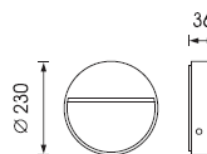


Due to continuous improvement, specifications may change without prior notice.

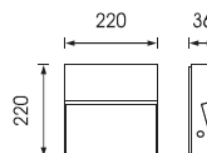
DOLBY SERIES



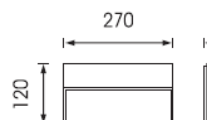
Power: 12W
Temp: 3000K - 4000K - 6000K
Surface Finish: White Black Silver Grey Graphite



Power: 12W
Temp: 3000K - 4000K - 6000K
Surface Finish: White Black Silver Grey Graphite



Power: 15W
Temp: 3000K - 4000K - 6000K
Surface Finish: White Black Silver Grey Graphite



Due to continuous improvements, specifications may change without prior notice.

Technology Data

| Code | Lamp | Output power | LED Color | Lumen | Voltage | Remarks | LED |
|-------|------|--------------|-----------|-------|------------|---------------------|-----|
| DOLBY | LED | 12W | 2700K | 900 | 100 - 277V | Round & Square only | |
| | | 15W | 3000K | 1100 | | Rectangle only | |
| | | | 4000K | | | | |
| | | | 5000K | | | | |

Wattage can be customizedly increased / decreased as per Site requirement



DOLBY SERIES



Due to continuous improvements, specifications may change without prior notice.

Wattage can be customizedly increased / decreased as per Site requirement



ARYAN SERIES



Description

350mA/500mA/750mA/1050mA

The ARYAN series is a new Wall Surface mounted symmetrical Luminaries in Soft and Power LED Version specially designed for Facade and in unique shape version wall and ceiling mounted LED light in compact size design. ARYAN Series luminaires are designed to offer functional, a wide range of lighting solutions and dramatic highlighting of the architectural facades of different buildings through the design with superior finishing as well highest efficiency with a long service life.

This exterior wall mounted luminaries with LED Products can be specified as Heavy Duty Die Cast Aluminium Body and Housing by Anti Corrosion resistant covering 5 Years of Warranty. It can achieve the desired effect in a wide range of applications with high quality optical systems and for direct lighting. This product provide soft, uniform, enhancing special lighting effect that blends into the space being lit, to maximizes light beauty.

ARYAN series is equipped with a uniquely designed for better protection and durability, easier installation and maintenance.

| | |
|-----------------------|---|
| Body: | Heavy Duty Die-cast aluminium. |
| Optical system: | Adopt modular light distribution lens, diffuser with super white, UV Resistant and Antiglare tempered Flat glass lens diffuser. |
| LED | Highest quality LEDs. Maintaining a 3-Step MacAdam ellipse one bin only, creating perfect LED color consistency. |
| LED Life | 50,000 Hrs or more based on Climate /Ambient Temperature |
| Gear plate: | Galvanized steel plate, button design for opened device. Built in Electronics Driver (Meanwell / OSRAM / Tridonic Atco / Philips / Inventronics / Eagle, etc. Durable Silicon Rubber Gasket. 3000/4000/6000K CCT. Excellent heat dissipation. Color Rendering Index is 80+. |
| Luminaire Control: | Quick on/off connector when be open. |
| Finishing: | Surface anti-ageing electrostatic spray processing, super resistance to corrosion and chemical protection. |
| Operating Temperature | -30°C to 50° C |



Dimension



Wattage can be customizedly increased / decreased as per Site requirement

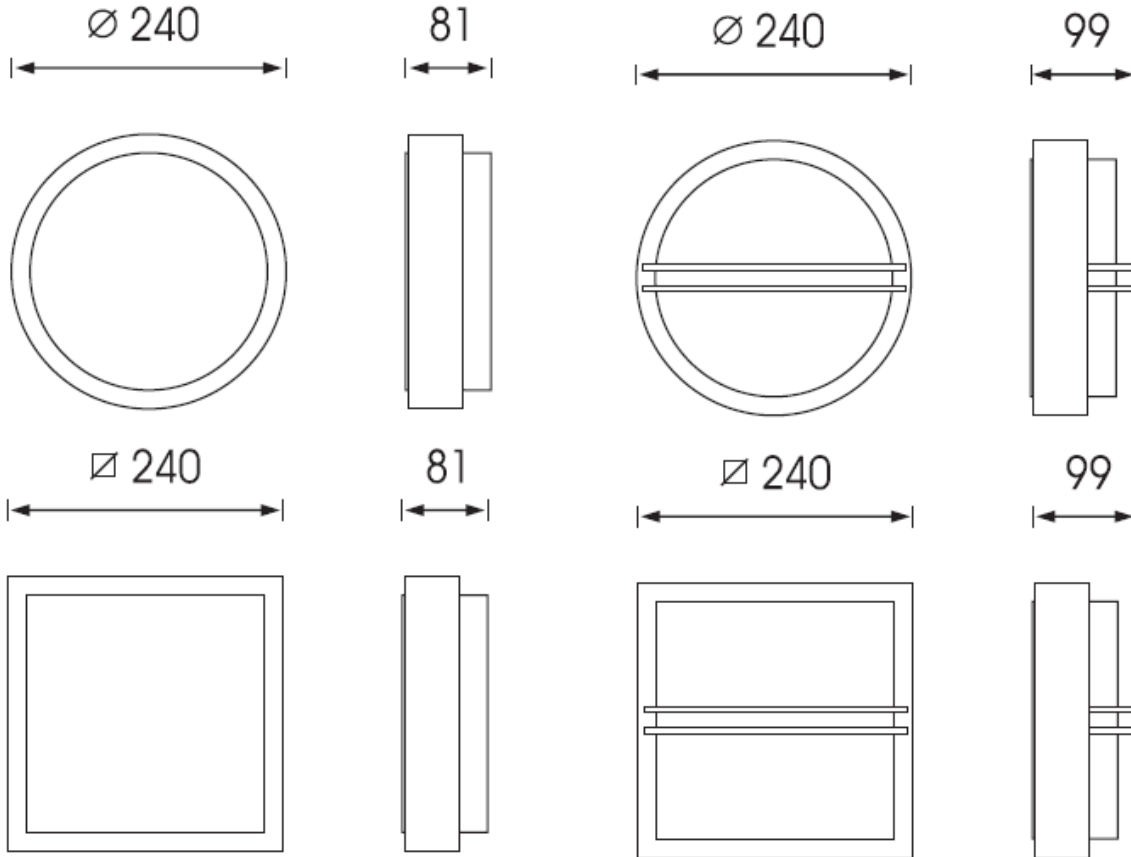


ARYAN SERIES



Description

350mA/500mA/750mA/1050mA



Due to continuous improvements, specifications may change without prior notice.

Wattage can be customizedly increased / decreased as per Site requirement



ARYAN SERIES



Description

350mA/500mA/750mA/1050mA

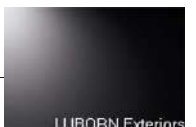


Due to continuous improvements, specifications may change without prior notice.

Technology Data

| Code | Lamp | Output power | LED Color | Lumen | Voltage | Beam | LED |
|-------|------|--------------|-----------|-------|------------|------|-----|
| ARYAN | LED | 12W | 2700K | 900 | 100 - 277V | | |
| | | 18W | 3000K | | | | |
| | | | 4000K | | | | |
| | | | 5000K | | | | |

Wattage can be customizedly increased / decreased as per Site requirement



FLEX SERIES



Description

350mA/500mA/750mA/1050mA

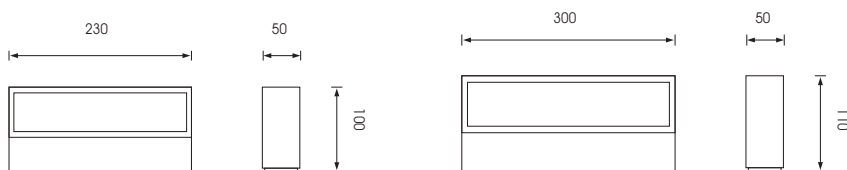
The FLEX series is a new Wall Surface Mounted Luminaires in Soft and Power LED Version specially designed for Facade and in unique shape version wall mounted LED light in compact size design. FLEX Series luminaires are designed to offer functional, a wide range of lighting solutions and dramatic highlighting of the architectural facades and different buildings through the design with superior finishing as well highest efficiency with a long service life.

This exterior wall mounted luminaires with LED Products can be specified as Die Cast Aluminium Frame, Body and Housing covered by Anti Corrosion resistant covering 5 Years of Warranty. It can achieve the desired effect in a wide range of applications with high quality optical systems and for direct lighting. This product provide soft, uniform, enhancing special lighting effect that blends into the FLEX series is equipped with a uniquely designed for better protection and durability, easier installation and maintenance.

| | |
|-----------------------|---|
| Body: | Heavy Duty Die-cast aluminium. |
| Optical system: | Adopt modular light distribution lens, diffuser with super white, UV Resistant and Antiglare tempered Flat glass lens diffuser. |
| LED | Highest quality LEDs. Maintaining a 3-Step MacAdam ellipse one bin only, creating perfect LED color consistency. |
| LED Life | 50,000 Hrs or more based on Climate /Ambient Temperature |
| Gear plate: | Galvanized steel plate, button design for opened device. Built in Electronics Driver (Meanwell / OSRAM / Tridonic Atco / Philips / Inventronics / Eagle, etc. Durable Silicon Rubber Gasket. 3000/4000/6000K CCT. Excellent heat dissipation. Color Rendering Index is 80+. |
| Luminaire Control: | Quick on/off connector when be open. |
| Finishing: | Surface anti-ageing electrostatic spray processing, super resistance to corrosion and chemical protection. |
| Operating Temperature | -30°C to 50° C |
| Accessories | Recessing Box in High Density proolypropylene |



Dimension



Technology

| Code | Lamp | Output power | LED Color | Lumen | Voltage | LEDD |
|------|------|--------------|-----------|-------|---------------|------|
| FLEX | LED | 12W | 2700K | 840 | 100 - 240V AC | |
| | | 18W | 3000K | 1260 | DC 24V | |
| | | | 4000K/00K | | Dimmable | |
| | | | 5000K | | | |

Wattage can be customizedly increased / decreased as per Site requirement



Due to continuous improvements, specifications may change without prior notice.

PHANTOM SERIES



Description

350mA/500mA/750mA/1050mA

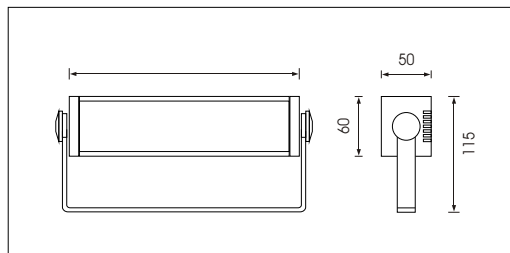
The PHANTOM series is a new wall mounted Linear Wall Washer Luminaires in Soft and High LED or RGB Version specially designed for Facade and in unique structure design shape. PHANTOM Series luminaires are designed to offer functional, a wide range of lighting solutions and dramatic highlighting of the architectural facades of different Buildings, Malls through the linear design with superior finishing as well highest efficiency with a long service life.

This exterior Linear Wall Washer luminaires can be specified as Main Extruded 6063 Highest grade of Aluminium Body and Housing covered by Anti Corrosion resistant with 304 or 316 Marine Grade Stainless Steel opener covering 5 Years of Warranty. It can achieve the desired effect in a wide range of applications with high quality optical systems and for direct lighting. This product provide soft, uniform, enhancing special lighting effect that blends into the space being lit, to maximizes light beauty.

PHANTOM series is equipped with a uniquely designed for better protection and durability, easier installation and maintenance.

Dimensions

| | |
|-----------------------|---|
| Body: | Heavy Duty Die-cast aluminium. |
| Optical system: | Adopt modular light distribution lens, diffuser with super white, UV Resistant and Antiglare tempered Flat glass lens diffuser. |
| LED | Highest quality LEDs. Maintaining a 3-Step MacAdam ellipse one bin only, creating perfect LED color consistency. |
| LED Life | 50,000 Hrs or more based on Climate /Ambient Temperature |
| Gear plate: | Galvanized steel plate, button design for opened device. Built in Electronics Driver (Meanwell / OSRAM / Tridonic Atco / Philips / Inventronics / Eagle, etc. Durable Silicon Rubber Gasket. 3000/4000/6000K CCT. Excellent heat dissipation. Color Rendering Index is 80+. |
| Luminaire Control: | Quick on/off connector when be open. |
| Finishing: | Surface anti-ageing electrostatic spray processing, super resistance to corrosion and chemical protection. |
| Operating Temperature | -30°C to 50° C |
| Length | Customized Length upto 1500mm based on Watt |



Wattage can be customizedly increased / decreased as per Site requirement



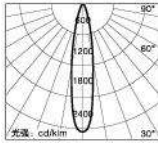
PHANTOM SERIES



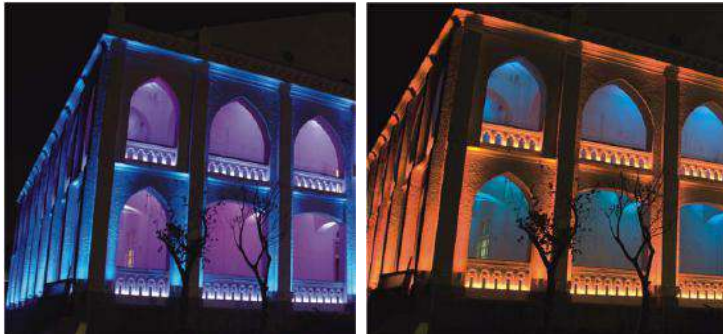
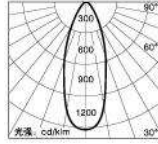
Power Version

- LED in monochromatic or RGB
- For monochromatic, with built-in driver, the input is 85-265VAC for easy connection
For RGB, the input is 24VDC, is dimmable with DMX interface or DALI
- Converter

PHANTOM
228*50*60mm
4W
DC24V/230V
30°
3000K
1.3kg



PHANTOM
522*50*60mm
10W
DC24V/230V
60°
3000K
1.4kg



Technology Data

| Code | Lamp | LED Wattage | LED Color | Lumen | Voltage | Beam Optics | LED |
|---------|------|---------------|-----------|-------------|------------|-------------|-----|
| PHANTOM | LED | 4W Power LED | 2700K | 80 Lumens/W | 100 - 277V | 10° | |
| | | 10W Power LED | 3000K | 95 Lumens/W | DC 24V | 18° | |
| | | 16W Power LED | 4000K | | Dimmable | 24° | |
| | | 24W Power LED | 5000K | | | 36° | |
| | | 36W Power LED | RGB/Y/W | | | 60° | |
| | | 60W Power LED | | | | 12X 50° | |

Wattage can be customizedly increased / decreased as per Site requirement



Due to continuous improvement, specifications may change without prior notice

VIBGYOR-L SERIES



Description

350mA/500mA/750mA/1050mA

The VIBGYOR L series is a new wall mounted Linear Wall Washer Luminaires in Soft and High LED or RGB Version specially designed for Facade and in unique structure design shape. VIBGYOR L Series luminaires are designed to offer functional, a wide range of lighting solutions and dramatic highlighting of the architectural facades of different Buildings, Malls through the linear design with superior finishing as well highest efficiency with a long service life.

This exterior Linear Wall Washer luminaires can be specified as Main Extruded 6063 Highest grade of Aluminium Body and Housing covered by Anti Corrosion resistant with 304 or 316 Marine Grade Stainless Steel opener covering 5 Years of Warranty. It can achieve the desired effect in a wide range of applications with high quality optical systems and for direct lighting. This product provide soft, uniform, enhancing special lighting effect that blends into the space being lit, to maximizes light beauty.

VIBGYOR L series is equipped with a uniquely designed for better protection and durability, easier installation and maintenance

Body: 6063 Highest grade of Aluminium Body and Housing covered by Anti Corrosion resistant
 Optical system: Adopt modular light distribution lens, diffuser with super white, UV Resistant and Antiglare tempered Flat glass lens diffuser.
 LED: Highest quality LEDs. Maintaining a 3-Step MacAdam ellipse one bin only, creating perfect LED color consistency.
 LED Life: 50,000 Hrs or more based on Climate /Ambient Temperature
 Gear plate: Galvanized steel plate, button design for opened device. Built in Electronics Driver (Meanwell / OSRAM / Tridonic Atco / Philips / Inventronics / Eagle, etc. Durable Silicon Rubber Gasket. 3000/4000/6000K CCT. Excellent heat dissipation. Color Rendering Index is 80+.
 Luminaire Control: Quick on/off connector when be open.
 Finishing: Surface anti-ageing electrostatic spray processing, super resistance to corrosion and chemical protection.
 Operating Temperature -30°C to 50° C



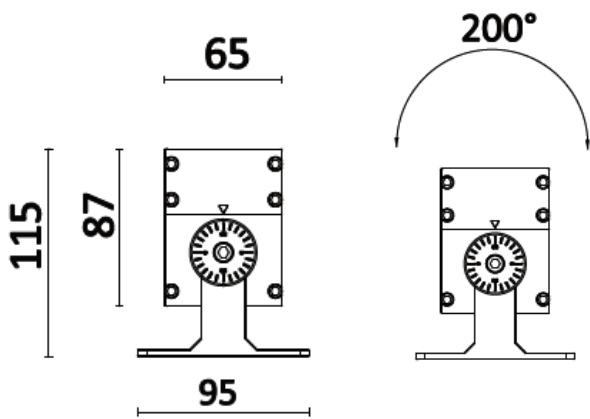
Dimensions



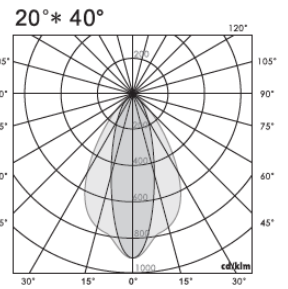
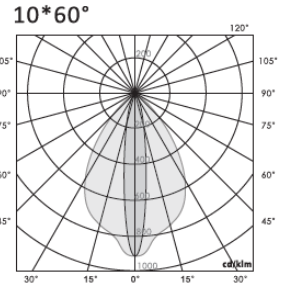
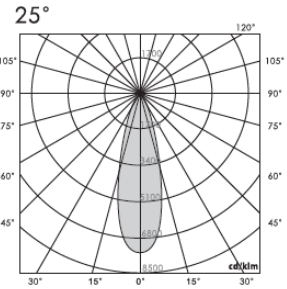
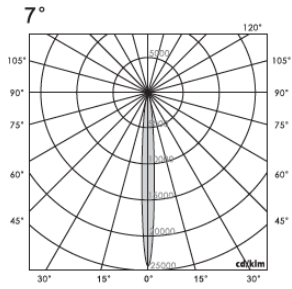
Due to continuous improvements, specifications may change without prior notice.



VIBGYOR-L SERIES



VIBGYOR L SERIES



Due to continuous improvements, specifications may change without prior notice

Technology

| Code | Lamp | LED Wattage | LED Color | Lumen | Voltage | Beam Optics |
|-----------|------|-------------|-----------|---------------|----------|-------------|
| VIBGYOR L | LED | 48W | 2700K | 60-70 @ 3000K | DC 24V | 10° |
| | | 72W | 3000K | 70-80 @ 4000K | Dimmable | 40° |
| | | | 4000K | 80-90 @ 5000K | | 10° X 60° |
| | | | 5000K | RGB | | |

Wattage can be customized increased / decreased as per Site requirement



VIBGYOR L SERIES



Due to continuous improvements, specifications may change without prior notice

Wattage can be customizedly increased / decreased as per Site requirement



VIBGYOR-M SERIES



Description

350mA/500mA/750mA/1050mA

The VIBGYOR M series is a new wall mounted Linear Wall Washer Luminaires in Soft and High LED or RGB Version specially designed for Facade and in unique structure design shape. VIBGYOR M Series luminaires are designed to offer functional, a wide range of lighting solutions and dramatic highlighting of the architectural facades of different Buildings, Malls through the linear design with superior finishing as well highest efficiency with a long service life.

This exterior Linear Wall Washer luminaires can be specified as Main Extruded 6063 Highest grade of Aluminium Body and Housing covered by Anti Corrosion resistant with 304 or 316 Marine Grade Stainless Steel opener covering 5 Years of Warranty. It can achieve the desired effect in a wide range of applications with high quality optical systems and for direct lighting. This product provide soft, uniform, enhancing special lighting effect that blends into the space being lit, to maximizes light beauty. VIBGYOR M series is equipped with a uniquely designed for better protection and durability, easier installation and maintenance

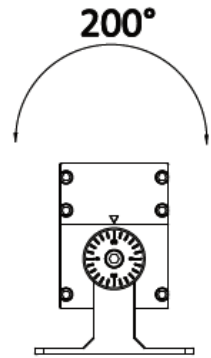
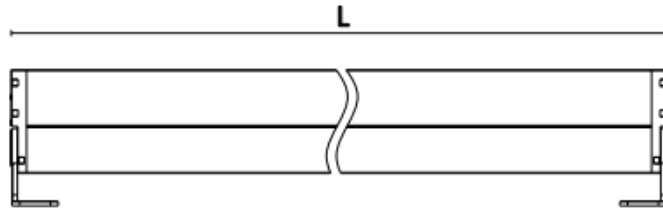
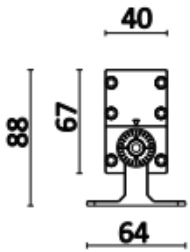
Body: 6063 Highest grade of Aluminium Body and Housing covered by Anti Corrosion resistant
 Optical system: Adopt modular light distribution lens, diffuser with super white, UV Resistant and Antiglare tempered Flat glass lens diffuser.
 LED: Highest quality LEDs. Maintaining a 3-Step MacAdam ellipse one bin only, creating perfect LED color consistency.
 LED Life: 50,000 Hrs or more based on Climate /Ambient Temperature
 Gear plate: Galvanized steel plate, button design for opened device. Built in Electronics Driver (Meanwell / OSRAM / Tridonic Atco / Philips / Inventronics / Eagle, etc. Durable Silicon Rubber Gasket. 3000/4000/6000K CCT. Excellent heat dissipation. Color Rendering Index is 80+.
 Luminaire Control: Quick on/off connector when be open.
 Finishing: Surface anti-ageing electrostatic spray processing, super resistance to corrosion and chemical protection.
 Operating Temperature -30°C to 50° C



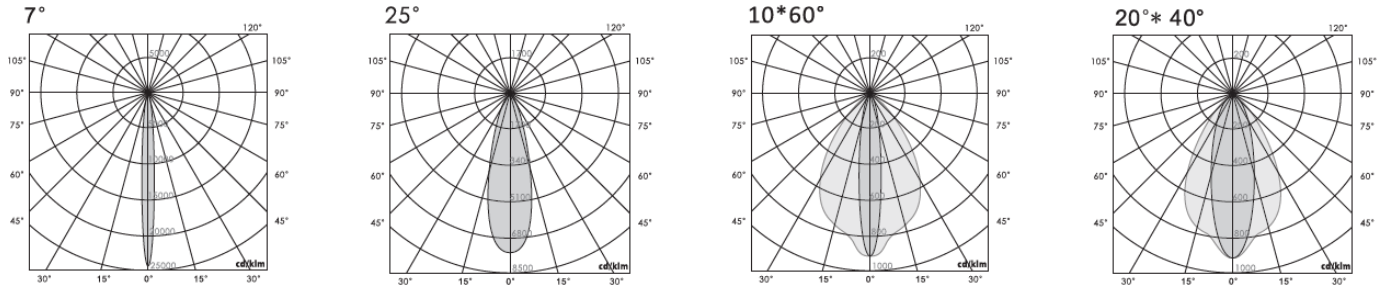
Dimensions



VIBGYOR-M SERIES



VIBGYOR L SERIES



Due to continuous improvements, specifications may change without prior notice

Technology

| Code | Lamp | LED Wattage | LED Color | Lumen | Voltage | Beam Optics |
|-----------|------|-------------|-----------|---------------|----------|-------------|
| VIBGYOR M | LED | 36W | 2700K | 60-70 @ 3000K | DC 24V | 10° |
| | | 48W | 3000K | 70-80 @ 4000K | Dimmable | 40° |
| | | | 4000K | 80-90 @ 5000K | | 10° X 60° |
| | | | 5000K | RGB | | |

Wattage can be customized increased / decreased as per Site requirement



VIBGYOR M SERIES



Due to continuous improvements, specifications may change without prior notice

Wattage can be customizedly increased / decreased as per Site requirement



VIBGYOR SERIES



Description

350mA/500mA/750mA/1050mA

The VIBGYOR series is a new wall mounted Linear Wall Washer Luminaires in Soft and High LED or RGB Version specially designed for Facade and in unique structure design shape. VIBGYOR Series luminaires are designed to offer functional, a wide range of lighting solutions and dramatic highlighting of the architectural facades of different Buildings, Malls through the linear design with superior finishing as well highest efficiency with a long service life.

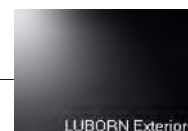
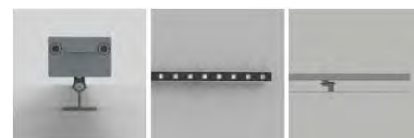
This exterior Linear Wall Washer luminaires can be specified as Main Extruded 6063 Highest grade of Aluminium Body and Housing covered by Anti Corrosion resistant with 304 or 316 Marine Grade Stainless Steel opener covering 5 Years of Warranty. It can achieve the desired effect in a wide range of applications with high quality optical systems and for direct lighting. This product provide soft, uniform, enhancing special lighting effect that blends into the space being lit, to maximizes light beauty.

VIBGYOR series is equipped with a uniquely designed for better protection and durability, easier installation and maintenance.

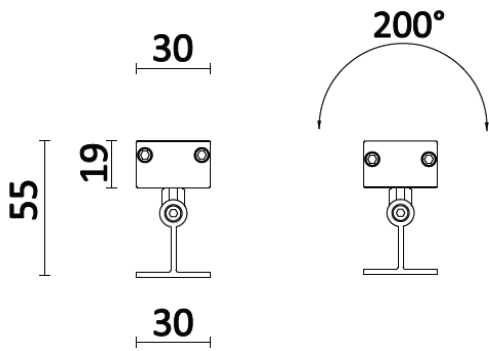
| | |
|-----------------------|---|
| Body: | 6063 Highest grade of Aluminium Body and Housing covered by Anti Corrosion resistant |
| Optical system: | Adopt modular light distribution lens, diffuser with super white, UV Resistant and Antiglare tempered Flat glass lens diffuser. |
| LED | Highest quality LEDs. Maintaining a 3-Step MacAdam ellipse one bin only, creating perfect LED color consistency. |
| LED Life | 50,000 Hrs or more based on Climate /Ambient Temperature |
| Gear plate: | Galvanized steel plate, button design for opened device. Built in Electronics Driver (Meanwell / OSRAM / Tridonic Atco / Philips / Inventronics / Eagle, etc. Durable Silicon Rubber Gasket. 3000/4000/6000K CCT. Excellent heat dissipation. Color Rendering Index is 80+. |
| Luminaire Control: | Quick on/off connector when be open. |
| Finishing: | Surface anti-ageing electrostatic spray processing, super resistance to corrosion and chemical protection. |
| Operating Temperature | -30°C to 50° C |



Dimensions



VIBGYOR SERIES



Technology

| Code | Lamp | LED Wattage | LED Color | Lumen | Voltage | Beam Optics |
|---------|------|-------------|-----------|---------------|----------|-------------|
| VIBGYOR | LED | 18W | 2700K | 60-70 @ 3000K | DC 24V | 10° |
| | | 24W | 3000K | 70-80 @ 4000K | Dimmable | 40° |
| | | | 4000K | 80-90 @ 5000K | | 10° X 60° |
| | | | 5000K | RGB | | |



Due to continuous improvements, specifications may change without prior notice.

PHOENIX SERIES



Effect 360°

The PHOENIX series is a new Wall Mounted shape Luminaries in Soft and High LED or RGB Version specially designed for Window and Facades and in unique structure design shape. PHOENIX Series luminaires are designed to offer functional, a wide range of lighting solutions and dramatic highlighting of the architectural facades of different Buildings, Malls through the linear design with superior finishing as well highest efficiency with a long service life.

This exterior PHOENIX wall mounted luminaries can be specified as Main Highest grade of Heavy Duty Die Cast Aluminium Body and Housing covered by Anti Corrosion resistant with 304 or 316 Marine Grade Stainless Steel opener covering 5 Years of Warranty. It can achieve the desired effect in a wide range of applications with high quality optical systems and for direct lighting. This product provide soft, uniform, enhancing special lighting effect that blends into the space being lit, to maximizes light beauty.

PHOENIX series is equipped with a uniquely designed or better protection and durability easier installation and maintenance

Description

350mA/500mA/750mA/1050mA

| | |
|-----------------------|---|
| Body: | Heavy Duty Die Cast Aluminium Body. |
| Optical system: | Adopt modular light distribution lens, diffuser with super white, UV Resistant and Antiglare Safety Glass lens diffuser. |
| LED | Highest quality LEDs. Maintaining a 3-Step MacAdam ellipse one bin only, creating perfect LED color consistency. |
| LED Life | 50,000 Hrs or more based on Climate /Ambient Temperature |
| Gear plate: | Galvanized steel plate, button design for opened device. Built in Electronics Driver (Meanwell / OSRAM / Tridonic Atco / Philips / Inventronics / Eagle, etc. Durable Silicon Rubber Gasket. 3000/4000/6000K CCT. Excellent heat dissipation. Color Rendering Index is 80+. |
| Luminaire Control: | Quick on/off connector when be open. |
| Finishing: | Surface anti-ageing electrostatic spray processing, super resistance to corrosion and chemical protection. |
| Operating Temperature | -30°C to 50° C |

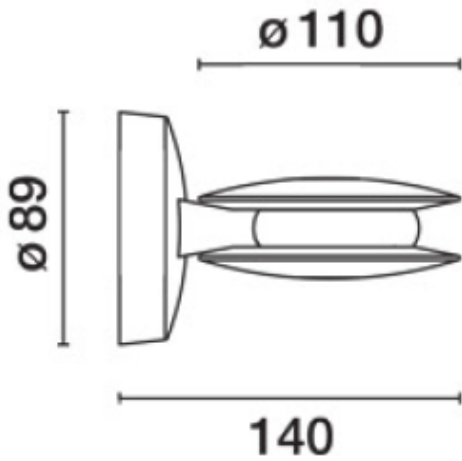


Wall and ceiling-mounted luminaire, designed for use with LED lamps and a patented, 360° blade effect optic. The product consists of a support base and screen. The base is made of phosphocromatization treated, die-cast aluminium, with a double base coat and passivation at 120°C. It is coated with liquid acrylic paint, cured at 150 °C to guarantee a high level of weather and UV ray resistance. The optic is made of methacrylate. All the screws used are made of A2 stainless steel.



PHOENIX SERIES

Effect 360°



Technology

| Code | Lamp | LED Wattage | LED Color | Lumen | Voltage | Beam Optics |
|----------------|------|-------------|-----------|---------------|---------------------|---------------------------|
| PHOENIX Series | LED | 5W | 2700K | 60-70 @ 3000K | 100 – 240V AC INPUT | Blade effect + 360 Degree |
| | | 9W | 3000K | 70-80 @ 4000K | | |
| | | | 4000K | 80-90 @ 5000K | | |
| | | | 5000K | | | |
| | | | RGB | | | |





EPILSON SERIES



Description

350mA/500mA/750mA/1050mA

The EILSON series is a Bollard / Column Luminaries in Power LED Version providing precision optical systems which gives , very low glare rating while reducing light pollution and specially designed for Landscape and in unique version ground mounted LED light in compact size design. EPILSON Series luminaires are designed to offer functional, a wide range of lighting solutions and dramatic highlighting of the architectural facades of different buildings through the design with superior finishing as well highest efficiency with a long service life.

This exterior Bollard /Column uminaries with LED Products can be specified as Main Heavy Duty Die Cast Aluminium Body and Housing covered by Anti Corrosion resistant. It can achieve the desired effect in a wide range of applications with high quality optical systems and for direct or indirect lighting. This product provide soft, uniform, enhancing special lighting effect that blends into the space being lit, to maximizes light beauty.

EPILSON series is equipped with a uniquely designed for better protection and durability, easier installation and maintenance.

| | |
|-----------------------|---|
| Body: | Heavy Duty Die-cast aluminium. |
| Optical system: | Adopt modular light distribution lens, diffuser with super white, UV Resistant and Antiglare PMMA / PC / Tempered Glass lens diffuser. |
| LED | Highest quality LEDs. Maintaining a 3-Step MacAdam ellipse one bin only, creating perfect LED color consistency. |
| LED Life | 50,000 Hrs or more based on Climate /Ambient Temperature |
| Gear plate: | Galvanized steel plate, button design for opened device. Built in Electronics Driver (Meanwell / OSRAM / Tridonic Atco / Philips / Inventronics / Eagle, etc. Durable Silicon Rubber Gasket. 3000/4000/6000K CCT. Excellent heat dissipation. Color Rendering Index is 80+. |
| Luminaire Control: | Quick on/off connector when be open. |
| Finishing: | Surface anti-ageing electrostatic spray processing, super resistance to corrosion and chemical protection. |
| Operating Temperature | Operating Temperature -30°C to 50° C |



Dimensions



White Black Silver Grey Graphite

Wattage can be customizedly increased / decreased as per Site requirement

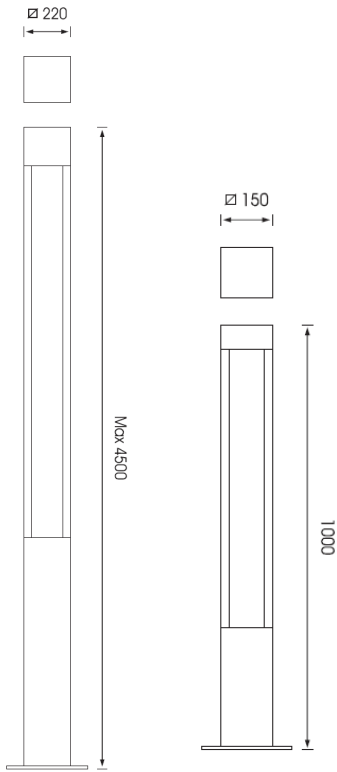


EPILSON SERIES



Description

350mA/500mA/750mA/1050mA



White Black Silver Grey Graphite

Technology Data

| Code | CCT | Input voltage | Output power | LED Pcs | Lumen | SIDES | LED |
|---------|-----------------------|-----------------------------|-------------------|---------|-------------------|------------|----------------------|
| EPILSON | 3000K 4000K 5000K | 100V-240V DALI DC 24V | 18W 26W 39W | COB | 90-95 Lumens/Watt | 360 DEGREE | |

Wattage can be customizedly increased / decreased as per Site requirement



COLUMBUS SERIES



Description

350mA/500mA/750mA/1050mA

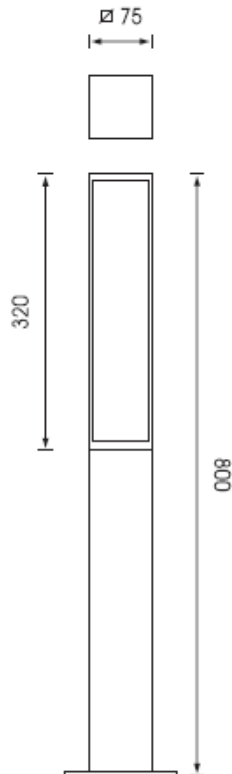
The COLUMBUS series is a Bollard Luminaries in Indirect Power LED Version providing precision optical systems which gives very low glare rating, while reducing light pollution and specially designed for Landscape and in unique version ground mounted LED light in compact size design. COLUMBUS Series luminaires are designed to offer functional, a wide range of lighting solutions and dramatic highlighting of the architectural facades of different buildings through the design with superior finishing as well highest efficiency with a long service life.

This exterior Bollard luminaries with LED Products can be specified as Main Heavy Duty Die Cast Aluminium Body and Housing covered by Anti Corrosion resistant. It can achieve the desired effect in a wide range of applications with high quality optical systems and for direct or indirect lighting. This product provide soft, uniform, enhancing special lighting effect that blends into the space being lit, to maximizes light beauty.

COLUMBUS series is equipped with a uniquely designed for better protection and durability, easier installation and maintenance.

| | |
|-----------------------|---|
| Body: | Heavy Duty Die-cast aluminium. |
| Optical system: | Adopt modular light distribution lens, diffuser with super white, UV Resistant and Antiglare tempered Flat glass lens diffuser. |
| LED | Highest quality LEDs. Maintaining a 3-Step MacAdam ellipse one bin only, creating perfect LED color consistency. |
| LED Life | 50,000 Hrs or more based on Climate /Ambient Temperature |
| Gear plate: | Galvanized steel plate, button design for opened device. Built in Electronics Driver (Meanwell / OSRAM / Tridonic Atco / Philips / Inventronics / Eagle, etc. Durable Silicon Rubber Gasket. 3000/4000/6000K CCT. Excellent heat dissipation. Color Rendering Index is 80+. |
| Luminaire Control: | Quick on/off connector when be open. |
| Finishing: | Surface anti-ageing electrostatic spray processing, super resistance to corrosion and chemical protection. |
| Operating Temperature | -30°C to 50° C |

Dimensions



Wattage can be customizedly increased / decreased as per Site requirement

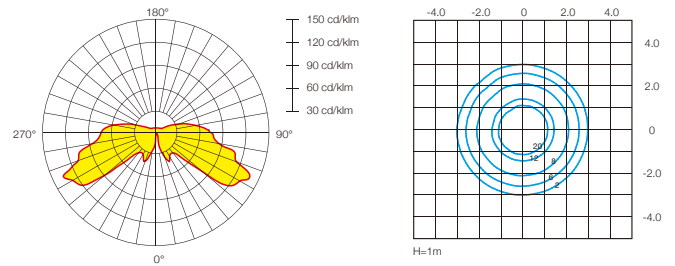


Due to continuous improvement, specifications may change without prior notice.

COLUMBUS SERIES



Photometric Data



Technology Data

| Code | Lamp | Input voltage | Output power | LED Pcs | Lumen | SIDES | LED |
|----------|------|---------------|--------------|---------|----------------------|-------|------|
| COLUMBUS | LED | 100V-240V | 12W | 1 | 90 – 105 Lumens/Watt | | |
| | | | 18W | 1 | | | |
| | | | | | | | |
| | | | | | | | |

Wattage can be customizedly increased / decreased as per Site requirement



CORVETTE SERIES



Description

350mA/500mA/750mA/1050mA

The CORVETTE series is a Bollard Luminaries in Power LED Version providing precision optical systems which gives very low glare rating, while reducing light pollution and specially designed for Landscape and in unique version ground mounted LED light in compact size design. CORVETTE Series luminaires are designed to offer functional, a wide range of lighting solutions and dramatic highlighting of the architectural facades of different buildings through the design with superior finishing as well highest efficiency with a long service life.

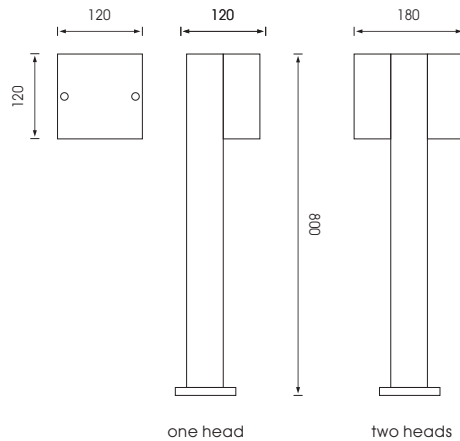
This exterior Bollard luminaires with LED Products can be specified as Main Heavy Duty Die Cast Aluminium Body and Housing covered by Anti Corrosion resistant. It can achieve the desired effect in a wide range of applications with high quality optical systems and for direct or indirect lighting. This product provide soft, uniform, enhancing special lighting effect that blends into the space being lit, to maximizes light beauty.

CORVETTE series is equipped with a uniquely designed for better protection and durability, easier installation and maintenance.

| | |
|-----------------------|---|
| Body: | Heavy Duty Die-cast aluminium. |
| Optical system: | Adopt modular light distribution lens, diffuser with super white, UV Resistant and Antiglare tempered Flat glass lens diffuser. |
| LED | Highest quality LEDs. Maintaining a 3-Step MacAdam ellipse one bin only, creating perfect LED color consistency. |
| LED Life | 50,000 Hrs or more based on Climate /Ambient Temperature |
| Gear plate: | Galvanized steel plate, button design for opened device. Built in Electronics Driver (Meanwell / OSRAM / Tridonic Atco / Philips / Inventronics / Eagle, etc. Durable Silicon Rubber Gasket. 3000/4000/6000K CCT. Excellent heat dissipation. Color Rendering Index is 80+. |
| Luminaire Control: | Quick on/off connector when be open. |
| Finishing: | Surface anti-ageing electrostatic spray processing, super resistance to corrosion and chemical protection. |
| Operating Temperature | -30°C to 50° C |



Dimensions



Wattage can be customizedly increased / decreased as per Site requirement



CORVETTE SERIES



Description

350mA/500mA/750mA/1050mA



Technology Data

| Code | Lamp | Input voltage | Output power | LED Pcs | Lumen | SIDES | N.W.(kg) | LED |
|----------------------|------|---------------|--------------|---------|-------|--------------------|----------|-----|
| CORVETTE SINGLE HEAD | LED | 100V-240V | 9W | 3 | 720 | 1 SIDE LUMINARIES | 5.8 | |
| CORVETTE DOUBLE HEAD | | 100V-240V | 9W X 2 | 6 | 1440 | 2 SIDES LUMINARIES | 6.5 | |
| CORVETTE SINGLE HEAD | LED | | 18W | 6 | 1440 | 1 SIDE LUMINARIES | 5.8 | |
| CORVETTE DOUBLE HEAD | | | 18W X 2 | 12 | 2880 | 2 SIDES LUMINARIES | 6.5 | |

Wattage can be customizedly increased / decreased as per Site requirement



CROCK SERIES



Description

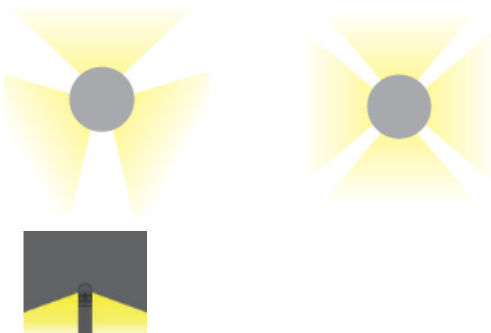
350mA/500mA/750mA/1050mA

The CROCK series is a Bollard Luminaries in Indirect Power LED Version providing precision optical systems which gives very low glare rating, while reducing light pollution and specially designed for Landscape and in unique version ground mounted LED light in compact size design. CROCK Series luminaires are designed to offer functional, a wide range of lighting solutions and dramatic highlighting of the architectural facades of different buildings through the design with superior finishing as well highest efficiency with a long service life.

This exterior Bollard luminaries with LED Products can be specified as Main Heavy Duty Die Cast Aluminium Body and Housing covered by Anti Corrosion resistant. It can achieve the desired effect in a wide range of applications with high quality optical systems and for direct or indirect lighting. This product provide soft, uniform, enhancing special lighting effect that blends into the space being lit, to maximizes light beauty.

CROCK series is equipped with a uniquely designed for better protection and durability, easier installation and maintenance.

| | |
|-----------------------|---|
| Body: | Heavy Duty Die-cast aluminium. |
| Optical system: | Adopt modular light distribution lens, diffuser with super white, UV Resistant and Antiglare tempered Flat glass lens diffuser. |
| LED | Highest quality LEDs. Maintaining a 3-Step MacAdam ellipse one bin only, creating perfect LED color consistency. |
| LED Life | 50,000 Hrs or more based on Climate / Ambient Temperature |
| Gear plate: | Galvanized steel plate, button design for opened device. Built in Electronics Driver (Meanwell / OSRAM / Tridonic Atco / Philips / Inventronics / Eagle, etc. Durable Silicon Rubber Gasket. 3000/4000/6000K CCT. Excellent heat dissipation. Color Rendering Index is 80+. |
| Luminaire Control: | Quick on/off connector when be open. |
| Finishing: | Surface anti-ageing electrostatic spray processing, super resistance to corrosion and chemical protection. |
| Assembling height: | 4-8 m. |
| Fixing: | Top or side fitting Ø60mm, angle can be adjustable. |
| Operating Temperature | -30°C to 50° C |



Wattage can be customizedly increased / decreased as per Site requirement

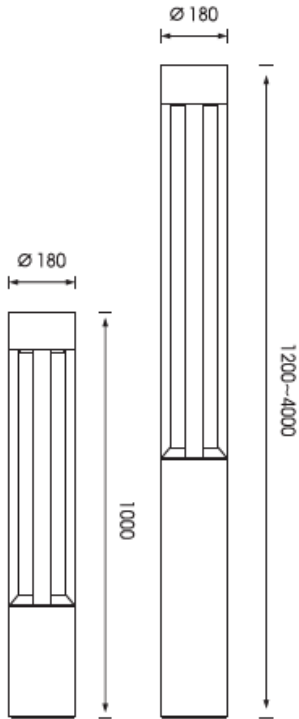


CROCK SERIES



Description

350mA/500mA/750mA/1050mA



Due to continuous improvement, specifications may change without prior notice.



Technology Data

| Code | Lamp | Input voltage | Output power | LED Pcs | Lumen | SIDES | LED |
|-------------|------|---------------|--------------|---------|----------------------|--------------------|-----|
| CROCK-H1000 | LED | 100V-240V | 20W | 1 | 90 - 105 Lumens/Watt | 1SIDE LUMINARIES | |
| CROCK-H2000 | | | 30W | 1 | | 3 SIDE LUMINARIES | |
| CROCK-H3000 | | | 38W | 1 | | 4 SIDES LUMINARIES | |
| CROCK-H4000 | | | 48W | 1 | | | |

Wattage can be customizedly increased / decreased as per Site requirement



LEGEND SERIES



Description

350mA/500mA/750mA/1050mA

The LEGEND series is a Bollard Luminaries in Power LED Version providing precision optical systems which gives very low glare rating, while reducing light pollution and specially designed for Landscape and in unique version ground mounted LED light in compact size design. LEGEND Series luminaires are designed to offer functional, a wide range of lighting solutions and dramatic highlighting of the architectural facades of different buildings through the design with superior finishing as well highest efficiency with a long service life.

This exterior Bollard luminaires with LED Products can be specified as Main Heavy Duty Die Cast Aluminium Body and Housing covered by Anti Corrosion resistant. It can achieve the desired effect in a wide range of applications with high quality optical systems and for direct or indirect lighting. This product provide soft, uniform, enhancing special lighting effect that blends into the space being lit, to maximizes light beauty.

LEGEND series is equipped with a uniquely designed for better protection and durability, easier installation and maintenance.

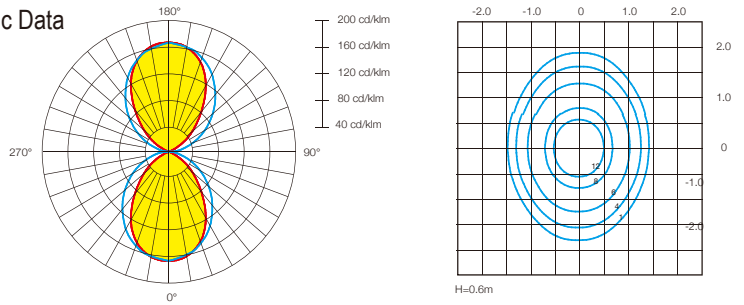
- Body:** Heavy Duty Die-cast aluminium.
- Optical system:** Adopt modular light distribution lens, diffuser with super white, UV Resistant and Antiglare PMMA / PC lens diffuser.
- LED:** Highest quality LEDs. Maintaining a 3-Step MacAdam ellipse one bin only, creating perfect LED color consistency.
- LED Life:** 50,000 Hrs or more based on Climate / Ambient Temperature
- Gear plate:** Galvanized steel plate, button design for opened device. Built in Electronics Driver (Meanwell / OSRAM / Tridonic Atco / Philips / Inventronics / Eagle, etc. Durable Silicon Rubber Gasket. 3000/4000/6000K CCT. Excellent heat dissipation. Color Rendering Index is 80+.
- Luminaire Control:** Quick on/off connector when be open.
- Finishing:** Surface anti-ageing electrostatic spray processing, super resistance to corrosion and chemical protection.
- Operating Temperature:** Operating Temperature -30°C to 50° C



Dimensions



Photometric Data



Wattage can be customizedly increased / decreased as per Site requirement



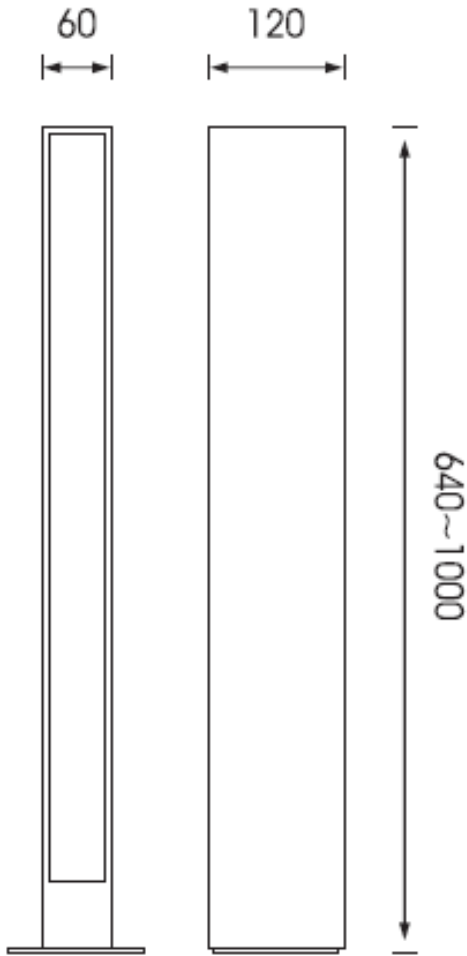
Due to continuous improvements, specifications may change without prior notice.

LEGEND SERIES



Description

350mA/500mA/750mA/1050mA



Due to continuous improvement, specifications may change without prior notice.

Technology Data

0°

| Code | Lamp | Input voltage | Output power | SIDE | Lumen | LED |
|--------|------------------|--------------------|--------------|--------|------------------|-----|
| LEGEND | SMD, With driver | 100V-240V DC 24V | 12W | SINGLE | 80 - 90 Lum/Watt | |
| | | | 18W | DOUBLE | | |



Wattage can be customizedly increased / decreased as per Site requirement



WEGA SERIES



Description

350mA/500mA/750mA/1050mA

The WEGA series is a Bollard Luminaries in Power LED Version providing precision optical systems which gives very low glare rating, while reducing light pollution and specially designed for Landscape and in unique version ground mounted LED light in compact size design. WEGA Series luminaires are designed to offer functional, a wide range of lighting solutions and dramatic highlighting of the architectural facades of different buildings through the design with superior finishing as well highest efficiency with a long service life.

This exterior Bollard luminaires with LED Products can be specified as Main Heavy Duty Die Cast Aluminium Body and Housing covered by Anti Corrosion resistant. It can achieve the desired effect in a wide range of applications with high quality optical systems and for direct or indirect lighting. This product provide soft, uniform, enhancing special lighting effect that blends into the space being lit, to maximizes light beauty.

WEGA series is equipped with a uniquely designed for better protection and durability, easier installation and maintenance.

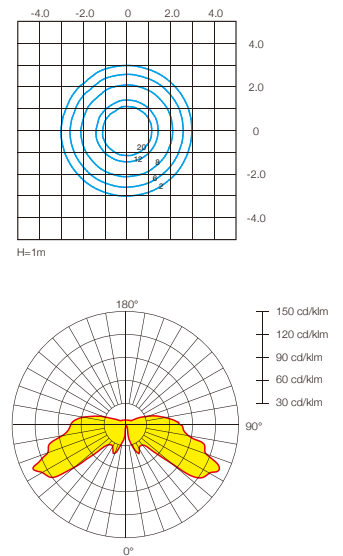
| | |
|-----------------------|---|
| Body: | Heavy Duty Die-cast aluminium. |
| Optical system: | Adopt modular light distribution lens, diffuser with super white, UV Resistant and Antiglare PMMA / PC lens diffuser. |
| LED | Highest quality LEDs. Maintaining a 3-Step MacAdam ellipse one bin only, creating perfect LED color consistency. |
| LED Life | 50,000 Hrs or more based on Climate /Ambient Temperature |
| Gear plate: | Galvanized steel plate, button design for opened device. Built in Electronics Driver (Meanwell / OSRAM / Tridonic Atco / Philips / Inventronics / Eagle, etc. Durable Silicon Rubber Gasket. 3000/4000/6000K CCT. Excellent heat dissipation. Color Rendering Index is 80+. |
| Luminaire Control: | Quick on/off connector when be open. |
| Finishing: | Surface anti-ageing electrostatic spray processing, super resistance to corrosion and chemical protection. |
| Operating Temperature | Operating Temperature -30°C to 50° C |



Dimensions



Photometric Data



Wattage can be customizedly increased / decreased as per Site requirement

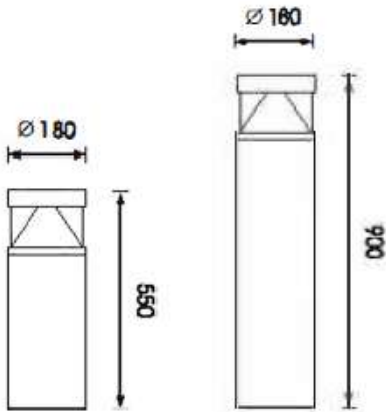


WEGA SERIES



Description

350mA/500mA/750mA/1050mA



Technology Data

| Code | Lamp | Input voltage | Output power | LED Pcs | Lumen | LED |
|-------------|------|------------------|--------------|-----------|-------------------|-----|
| WEGA SERIES | LED | 100V-240V/DC 24V | 12W | Multiples | 70-85 Lumens/Watt | |
| | | | 18W | | | |
| | | | 26W | | | |

Wattage can be customizedly increased / decreased as per Site requirement



MICKY SERIES



Description

350mA/500mA/750mA/1050mA

The MICKY Square series is a Bollard / Column Luminaries in soft LED Version providing precision optical systems which gives , very low glare rating while reducing light pollution and specially designed for Landscape and in unique version ground mounted LED light in compact size design. MICKY Square Series luminaires are designed to offer functional, a wide range of lighting solutions and dramatic highlighting of the architectural facades of different buildings through the design with superior finishing as well highest efficiency with a long service life.

This exterior Bollard luminaries with LED Products can be specified as Main Heavy Duty Die Cast Aluminium Body and Housing covered by Anti Corrosion resistant. It can achieve the desired effect in a wide range of applications with high quality optical systems and for direct or indirect lighting. This product provide soft, uniform, enhancing special lighting effect that blends into the space being lit, to maximizes light beauty.

MICKY series is equipped with a uniquely designed for better protection and durability, easier installation and maintenance.

| | |
|-----------------------|---|
| Body: | Heavy Duty Die-cast aluminium. |
| Optical system: | Adopt modular light distribution lens, diffuser with super white, UV Resistant and Antiglare PMMA / PC / Tempered Glass lens diffuser. |
| LED | Highest quality LEDs. Maintaining a 3-Step MacAdam ellipse one bin only, creating perfect LED color consistency. |
| LED Life | 50,000 Hrs or more based on Climate / Ambient Temperature |
| Gear plate: | Galvanized steel plate, button design for opened device. Built in Electronics Driver (Meanwell / OSRAM / Tridonic Atco / Philips / Inventronics / Eagle, etc. Durable Silicon Rubber Gasket. 3000/4000/6000K CCT. Excellent heat dissipation. Color Rendering Index is 80+. |
| Luminaire Control: | Quick on/off connector when be open. |
| Finishing: | Surface anti-ageing electrostatic spray processing, super resistance to corrosion and chemical protection. |
| Operating Temperature | Operating Temperature -30°C to 50° C |



Dimensions



White
 Black
 Silver Grey
 Graphite

Wattage can be customizedly increased / decreased as per Site requirement

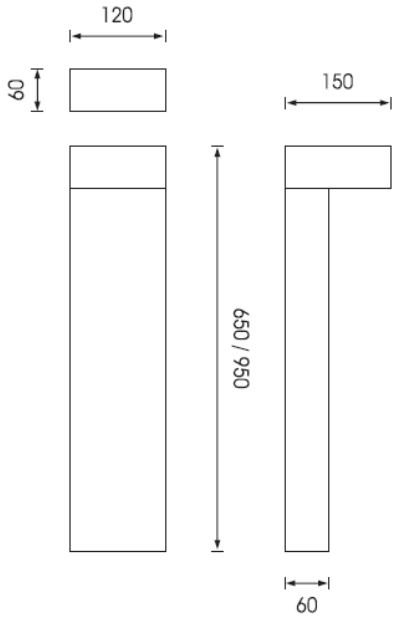


MICKY SERIES



Description

350mA/500mA/750mA/1050mA



White Black Silver Grey Graphite

Technology Data

| Code | CCT | Input voltage | Output power | LED Pcs | Lumen | SIDES | LED |
|--------------|-----------------------|---------------|--------------|-----------|-------------------|------------------|-----|
| MICKY SERIES | 3000K 4000k 5000K | 100V-240V | 12W 18W | COB SMD | 90-95 Lumens/Watt | SINGLE DOUBLE | |

Wattage can be customizedly increased / decreased as per Site requirement



Due to continuous improvement, specifications may change without prior notice.



SAPHIRE SERIES



The SAPHIRE series is a Bollard Asymmetrical Luminaries in Power LED Version providing precision optical systems which gives very low glare rating, while reducing light pollution and specially designed for Landscape and in unique version ground mounted LED light in compact size design. SAPHIRE Series luminaires are designed to offer functional, a wide range of lighting solutions and dramatic highlighting of the architectural facades of different buildings through the design with superior finishing as well highest efficiency with a long service life.

This exterior Bollard luminaires with LED Products can be specified as Main Heavy Duty Die Cast Aluminium Body and Housing covered by Anti Corrosion resistant. It can achieve the desired effect in a wide range of applications with high quality optical systems and for direct or indirect lighting. This product provide soft, uniform, enhancing special lighting effect that blends into the space being lit, to maximizes light beauty.

SAPHIRE series is equipped with a uniquely designed for better protection and durability, easier installation and maintenance.

Dimensions



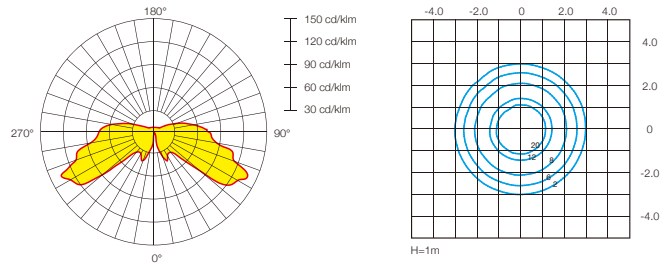
Description

350mA/500mA/750mA/1050mA

| | |
|-----------------------|---|
| Body: | Heavy Duty Die-cast aluminium. |
| Optical system: | Adopt modular light distribution lens, diffuser with super white, UV Resistant and Antiglare PMMA / PC lens diffuser. |
| LED | Highest quality LEDs. Maintaining a 3-Step MacAdam ellipse one bin only, creating perfect LED color consistency. |
| LED Life | 50,000 Hrs or more based on Climate /Ambient Temperature |
| Gear plate: | Galvanized steel plate, button design for opened device. Built in Electronics Driver (Meanwell / OSRAM / Tridonic Atco / Philips / Inventronics / Eagle, etc. Durable Silicon Rubber Gasket. 3000/4000/6000K CCT. Excellent heat dissipation. Color Rendering Index is 80+. |
| Luminaire Control: | Quick on/off connector when be open. |
| Finishing: | Surface anti-ageing electrostatic spray processing, super resistance to corrosion and chemical protection. |
| Operating Temperature | Operating Temperature -30°C to 50° C |



Photometric Data



Wattage can be customizedly increased / decreased as per Site requirement



SAPPHIRE SERIES



Description

350mA/500mA/750mA/1050mA



Technology Data

| Code | Lamp | Input voltage | Output power | LED Pcs | Lumen | N.W.(kg) | G.W.(kg) | LED |
|----------|-----------|---------------|--------------|---------|-------|----------|----------|---|
| SAPPHIRE | SMD / COB | 100V-240V | 12W | 12 | 900 | 5.8 | 13.0 | CREE LUMILEDS CITIZEN EAGLERISE MW MEAN WELL HEP GROUP |
| | | 100V-240V | 20W | 25 | 1600 | 6.5 | 14.5 | |

Wattage can be customizedly increased / decreased as per Site requirement



Due to continuous improvement, specifications may change without prior notice.

BRUSSEL SERIES



The BRUSSEL series is a Bollard Luminaries in Power LED Version providing precision optical systems which gives very low glare rating, while reducing light pollution and specially designed for Landscape and in unique version ground mounted LED light in compact size design. BRUSSEL Series luminaires are designed to offer functional, a wide range of lighting solutions and dramatic highlighting of the architectural facades of different buildings through the design with superior finishing as well highest efficiency with a long service life.

This exterior Bollard luminaires with LED Products can be specified as Main Heavy Duty Die Cast Aluminium Body and Housing covered by Anti Corrosion resistant. It can achieve the desired effect in a wide range of applications with high quality optical systems and for direct or indirect lighting. This product provide soft, uniform, enhancing special lighting effect that blends into the space being lit, to maximizes light beauty.

BRUSSEL series is equipped with a uniquely designed for better protection and durability, easier installation and maintenance.

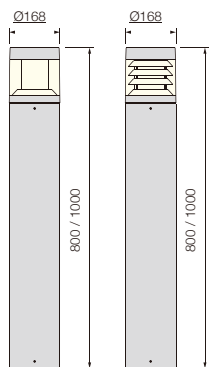
Description

350mA/500mA/750mA/1050mA

| | |
|-----------------|--|
| Body: | Heavy Duty Die-cast aluminium. 304 or 316 Marine Grade Stainless Steel fastener. |
| Optical system: | Anodized aluminium reflector and UV Resistant and Antiglare PMMA diffuser. Durable High Standard of Silicon Rubber Gasket. 3000/4000/6000K. 360 Degree Radial Illumination |
| Gear plate: | Galvanized steel plate, stainless steel fasten. |
| Finishing: | Surface anti-ageing electrostatic spray processing, super resistance to corrosion with chemical protection. |
| Driver: | Integrated for AC. Remote for DC. Philips / Osram / Tridonic Atco / Eagle / Meanwell / Inventronics/HEP/TCL. |
| Accessories : | Base Plate, Anchor Bolts and Accessories. |

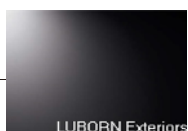


Dimensions



BRUSSEL A

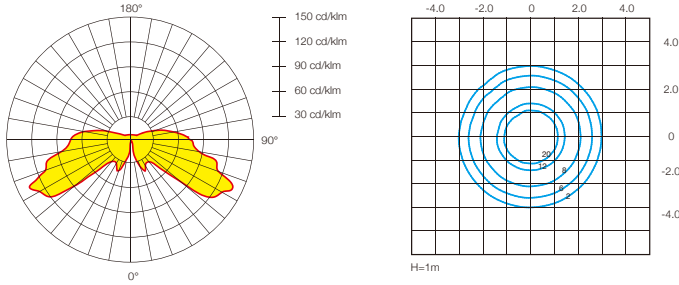
BRUSSEL G



BRUSSEL SERIES



Photometric Data



Technology Data

| Code | Lamp | Input voltage | Output power | LED Pcs | Lumen | N.W.(kg) | G.W.(kg) | LED |
|----------------|------------------|---------------|--------------|---------|-------|----------|----------|-----|
| BRUSSEL-A-H80 | SMD, With driver | 100V-240V | 25W | 144 | 2250 | 5.8 | 13.0 | |
| BRUSSEL-A-H100 | | 100V-240V | 25W | 144 | 2250 | 6.5 | 14.5 | |
| BRUSSEL-G-H80 | SMD, With driver | 100V-240V | 25W | 144 | 1850 | 5.8 | 13.0 | |
| BRUSSEL-G-H100 | | 100V-240V | 25W | 144 | 1850 | 6.5 | 14.5 | |

POLO SERIES



The POLO series is a Bollard Luminaries in Power LED Version providing precision optical systems which gives very low glare rating, while reducing light pollution and specially designed for Landscape and in unique version ground mounted LED light in compact size design. POLO Series luminaires are designed to offer functional, a wide range of lighting solutions and dramatic highlighting of the architectural facades of different buildings through the design with superior finishing as well highest efficiency with a long service life.

This exterior Bollard luminaires with LED Products can be specified as Main Heavy Duty Die Cast Aluminium Body and Housing covered by Anti Corrosion resistant. It can achieve the desired effect in a wide range of applications with high quality optical systems and for direct or indirect lighting. This product provide soft, uniform, enhancing special lighting effect that blends into the space being lit, to maximizes light beauty.

POLO series is equipped with a uniquely designed for better protection and durability, easier installation and maintenance.

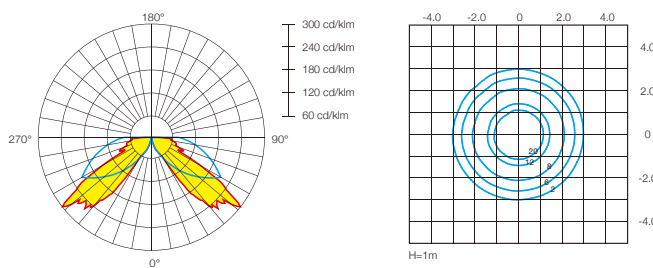
Description

350mA/500mA/750mA/1050mA

| | |
|-----------------|--|
| Body: | Heavy Duty Die-cast aluminium. 304 or 316 Marine Grade Stainless Steel fastener. |
| Optical system: | Anodized aluminium reflector and UV Resistant and Antiglare PMMA diffuser. Durable High Standard of Silicon Rubber Gasket. 3000/4000/6000K. 360 Degree Radial Illumination |
| Gear plate: | Galvanized steel plate, stainless steel fasten. |
| Finishing: | Surface anti-ageing electrostatic spray processing, super resistance to corrosion with chemical protection. |
| Driver: | Integrated for AC. Remote for DC. Philips / Osram / Tridonic Atco / Eagle / Meanwell / Inventronics/HEP/TCL. |
| Accessories : | Base Plate, Anchor Bolts and Accessories. |



Photometric Data



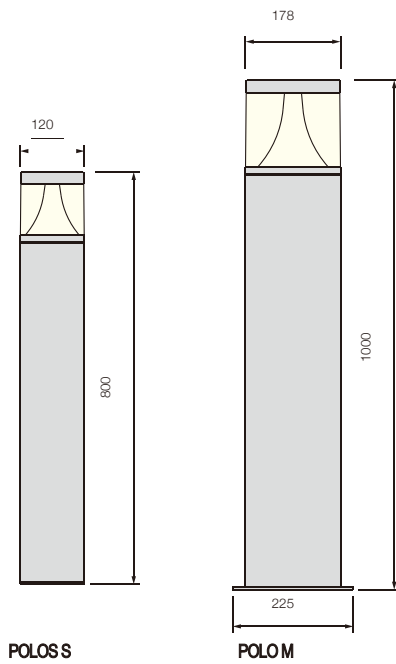
Due to continuous improvements, specifications may change without prior notice.



POLO SERIES



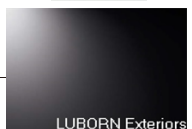
Dimensions



Due to continuous improvements, specifications may change without prior notice.

Technology Data

| Code | Lamp | Input voltage | Output power | LED Pcs | Lumen | N.W.(kg) | G.W.(kg) |
|-----------|------------------|---------------|--------------|---------|-------|----------|----------|
| POLO-H80 | SMD, With driver | 100V-240V | 12W | 132 | 980 | 3.2 | 13.4 |
| POLO-H100 | SMD, With driver | 100V-240V | 25W | 168 | 1850 | 8.5 | 9.4 |



TROZAN SERIES



Description

350mA/500mA/750mA/1050mA

The TROZAN series is a Bollard Asymmetrical Luminaries in Power LED Version providing precision optical systems which gives very low glare rating, while reducing light pollution and specially designed for Landscape and in unique version ground mounted LED light in compact size design. TROZAN Series luminaires are designed to offer functional, a wide range of lighting solutions and dramatic highlighting of the architectural facades of different buildings through the design with superior finishing as well highest efficiency with a long service life.

This exterior Bollard luminaires with LED Products can be specified as Main Heavy Duty Die Cast Aluminium Body and Housing covered by Anti Corrosion resistant. It can achieve the desired effect in a wide range of applications with high quality optical systems and for direct or indirect lighting. This product provide soft, uniform, enhancing special lighting effect that blends into the space being lit, to maximizes light beauty.

TROZAN series is equipped with a uniquely designed for better protection and durability, easier installation and maintenance.

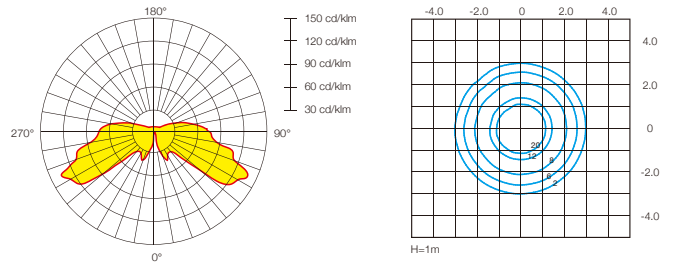
| | |
|-----------------------|---|
| Body: | Heavy Duty Die-cast aluminium. |
| Optical system: | Adopt modular light distribution lens, diffuser with super white, UV Resistant and Antiglare PMMA / PC lens diffuser. |
| LED | Highest quality LEDs. Maintaining a 3-Step MacAdam ellipse one bin only, creating perfect LED color consistency. |
| LED Life | 50,000 Hrs or more based on Climate / Ambient Temperature |
| Gear plate: | Galvanized steel plate, button design for opened device. Built in Electronics Driver (Meanwell / OSRAM / Tridonic Atco / Philips / Inventronics / Eagle, etc. Durable Silicon Rubber Gasket. 3000/4000/6000K CCT. Excellent heat dissipation. Color Rendering Index is 80+. |
| Luminaire Control: | Quick on/off connector when be open. |
| Finishing: | Surface anti-ageing electrostatic spray processing, super resistance to corrosion and chemical protection. |
| Operating Temperature | Operating Temperature -30°C to 50° C |



Dimensions



Photometric Data



Wattage can be customizedly increased / decreased as per Site requirement



Due to continuous improvement, specifications may change without prior notice.

TROZAN SERIES

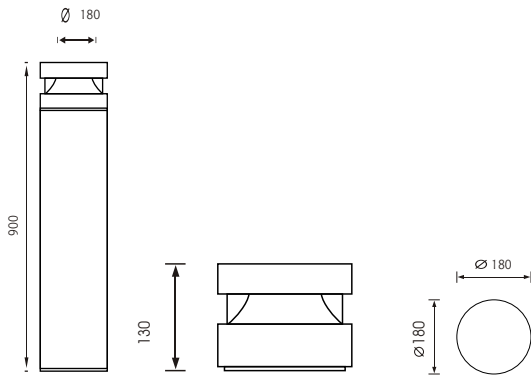


Description

350mA/500mA/750mA/1050mA



Dimensions



Technology Data

| Code | Lamp | Input voltage | Output power | LED Pcs | Lumen | N.W.(kg) | G.W.(kg) | LED |
|--------|------------------|-------------------|--------------|---------|-------|----------|----------|-----------------------------|
| TROZAN | SMD, With driver | 100V-240V DC24V | 12W | 12 | 70-80 | 5.8 | 13.0 | CREE LUMILEDS CITIZEN |
| | | | 20W | 25 | | 6.5 | 14.5 | |

Wattage can be customizedly increased / decreased as per Site requirement





MARINE SERIES

Description

350mA/500mA/750mA/1050mA

The MARINE series is a new Recessed mounted Uplight submersible Underwater Luminaires in Soft and High LED Version providing precision optical systems gives very low glare rating, while reducing light pollution and specially designed for underwater and in unique shape version ground mounted LED light in various size design. MARINE Series luminaires are designed to offer functional, a wide range of lighting solutions and dramatic highlighting of the architectural Pools through the design with superior finishing as well highest efficiency with a long service life.

This Exterior underwater luminaires with LED Products can be specified as AISI 316 Marine Grade Stainless Steel Body and Housing covered by Anti Corrosion resistant. It can achieve the desired effect in a wide range of applications with high quality optical systems and for direct lighting. This product provide soft, uniform, enhancing special lighting effect that blends into the space being lit, to maximizes light beauty.

MARINE series is equipped with a uniquely designed for better protection and durability, easier installation and maintenance.

Dimensions

| | |
|-----------------------|--|
| Body: | 316 Grade Stainless Steel Body and Housing |
| Optical system: | Adopt modular light distribution lens, diffuser with super white, UV Resistant and Antiglare tempered Flat glass lens diffuser. |
| LED | Highest quality LEDs. Maintaining a 3-Step MacAdam ellipse one bin only, creating perfect LED color consistency. |
| LED Life | 50,000 Hrs or more based on Climate /Ambient Temperature |
| Gear plate: | Galvanized steel plate, button design for opened device. Remote Electronics Driver / (Meanwell OSRAM / Tridonic Atco / Philips / Inventronics / Eagle, etc. Durable Silicon Rubber Gasket. 3000/4000/6000K CCT. Excellent heat dissipation. Color Rendering Index is 80+. Quick on/off connector when be open. |
| Luminaire Control: | Surface anti-ageing electrostatic spray processing, super resistance to corrosion and chemical protection. |
| Finishing: | |
| Operating Temperature | -30°C to 50° C |



Wattage can be customizedly increased / decreased as per Site requirement



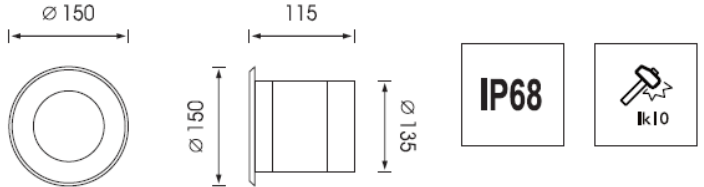
Due to continuous improvement, specifications may change without prior notice.



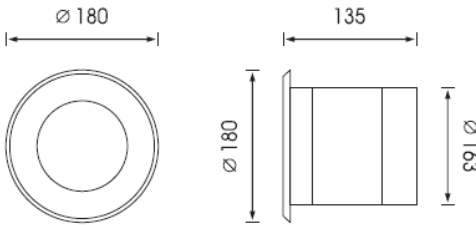
MARINE SERIES



| | |
|-------------|-----------------------|
| Power: | 6 x 1W 24VDC |
| Temp: | 3000K - 4000K - 6000K |
| Beam Angle: | 15° - 24° - 45° |



| | |
|-------------|-----------------------|
| Power: | 9 x 1W 24VDC |
| Temp: | 3000K - 4000K - 6000K |
| Beam Angle: | 15° - 24° - 45° |



| | |
|-------------|-----------------------|
| Power: | 12 x 1W 24VDC |
| Temp: | 3000K - 4000K - 6000K |
| Beam Angle: | 15° - 24° - 45° |

Technology Data

| Code | Lamp | Output power | LED Color | Lumen | Voltage | Beam Angle | LED |
|--------|------|--------------|-----------|----------------|----------|------------|-----|
| MARINE | LED | 6W | 2700K | 70-85 Lum/Watt | DC 24V | Narrow | |
| | | 9W | 3000K | | Dimmable | Medium | |
| | | 12W | 4000K | | | Wide | |
| | | 18W | 5000K | | | | |
| | | | RGB | | | | |

Wattage can be customizedly increased / decreased as per Site requirement



ACQUA FLOOD SERIES



Description

350mA/500mA/750mA/1050mA

The ACQUA series is a new Flood submersible Underwater Luminaries in Soft and High LED Version providing precision optical systems gives very low glare rating, while reducing light pollution and specially designed for underwater and in unique shape version ground mounted LED light in various size design. ACQUA Flood Series luminaires are designed to offer functional, a wide range of lighting solutions and dramatic highlighting of the architectural Pools through the design with superior finishing as well highest efficiency with a long service life.

This Exterior underwater luminaries with LED Products can be specified as AISI 316 Marine Grade Stainless Steel Body and Housing covered by Anti Corrosion resistant. It can achieve the desired effect in a wide range of applications with high quality optical systems and for direct lighting. This product provide soft, uniform, enhancing special lighting effect that blends into the space being lit, to maximizes light beauty.

ACQUA Flood series is equipped with a uniquely designed for better protection and durability, easier installation and maintenance.

Dimensions

Body: 316 Grade Stainless Steel Body and Housing
 Optical system: Adopt modular light distribution lens, diffuser with super white, UV Resistant and Antiglare tempered Flat glass lens diffuser.
 LED: Highest quality LEDs. Maintaining a 3-Step MacAdam ellipse one bin only, creating perfect LED color consistency.
 LED Life: 50,000 Hrs or more based on Climate / Ambient Temperature
 Gear plate: Galvanized steel plate, button design for opened device. Remote Electronics Driver / (Meanwell OSRAM / Tridonic Atco / Philips / Inventronics / Eagle, etc. Durable Silicon Rubber Gasket. 3000/4000/6000K CCT. Excellent heat dissipation. Color Rendering Index is 80+.
 Luminaire Control: Quick on/off connector when be open.
 Finishing: Surface anti-ageing electrostatic spray processing, super resistance to corrosion and chemical protection.
 Operating Temperature -30°C to 50° C



-  Narrow Beam
-  Mid Beam
-  Wide Beam

Wattage can be customizedly increased / decreased as per Site requirement

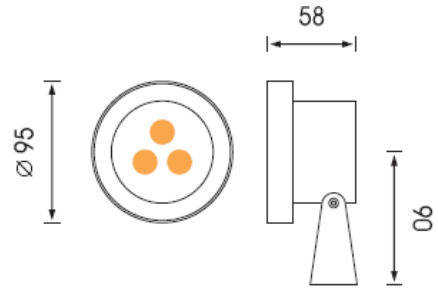


Due to continuous improvements, specifications may change without prior notice.

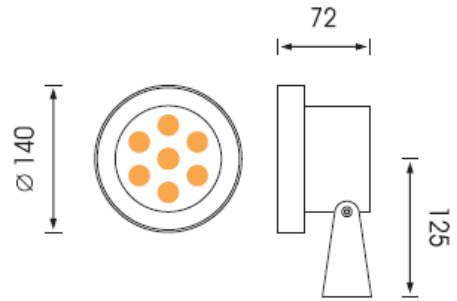
ACQUA FLOOD SERIES



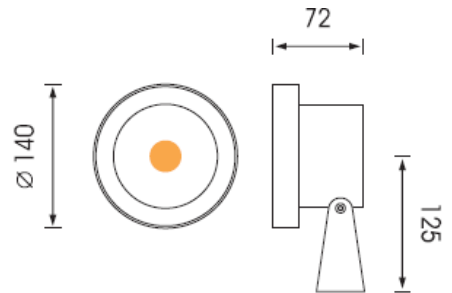
| | |
|-------------|-----------------------|
| Power: | 3 x 1W 24VDC |
| Temp: | 3000K - 4000K - 6000K |
| Beam Angle: | 12° - 24° - 45° |



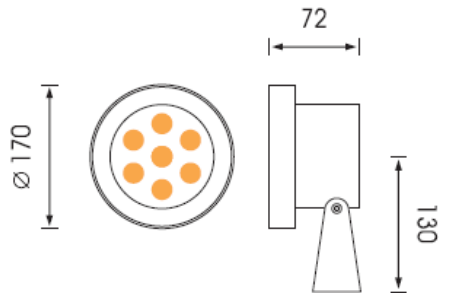
| | |
|-------------|-----------------------|
| Power: | 9 x 1W 24VDC |
| Temp: | 3000K - 4000K - 6000K |
| Beam Angle: | 12° - 24° - 45° |




| | |
|-------------|-----------------------|
| Power: | 16W COB LED 24VDC |
| Temp: | 3000K - 4000K - 6000K |
| Beam Angle: | 12° - 24° - 45° |



| | |
|-------------|-----------------------|
| Power: | 18 x 1W 24VDC |
| Temp: | 3000K - 4000K - 6000K |
| Beam Angle: | 12° - 24° - 45° |



-  Narrow Beam
-  Mid Beam
-  Wide Beam



Wattage can be customizedly increased / decreased as per Site requirement



Due to continuous improvement, specifications may change without prior notice.

ACQUA FLOOD SERIES



Due to continuous improvements, specifications may change without prior notice.

-  Narrow Beam
-  Mid Beam
-  Wide Beam

Wattage can be customizedly increased / decreased as per Site requirement



MICRO ACQUA SERIES



Description

350mA/500mA/750mA/1050mA

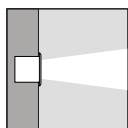
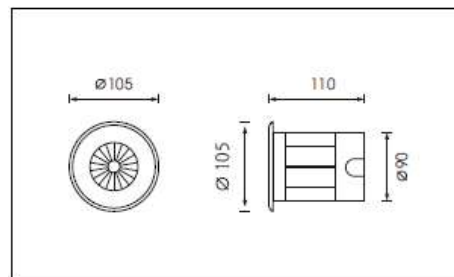
The MICRO ACQUA series is a new Recessed mounted Uplight submersible Underwater Luminaries in Soft and High LED Version providing precision optical systems gives very low glare rating, while reducing light pollution and specially designed for underwater and in unique shape version ground mounted LED light in various size design. MICRO ACQUA Series luminaires are designed to offer functional, a wide range of lighting solutions and dramatic highlighting of the architectural Pools through the design with superior finishing as well highest efficiency with a long service life.

This Exterior underwater luminaries with LED Products can be specified as AISI 316 Marine Grade Stainless Steel Body and Housing covered by Anti Corrosion resistant. It can achieve the desired effect in a wide range of applications with high quality optical systems and for direct lighting. This product provide soft, uniform, enhancing special lighting effect that blends into the space being lit, to maximizes light beauty.

MICRO ACQUA series is equipped with a uniquely designed for better protection and durability, easier installation and maintenance.

Dimensions

| | |
|-----------------------|---|
| Body: | 316 Grade Stainless Steel Body and Housing |
| Optical system: | Adopt modular light distribution lens, diffuser with super white, UV Resistant and Antiglare tempered Flat glass lens diffuser. |
| LED | Highest quality LEDs. Maintaining a 3-Step MacAdam ellipse one bin only, creating perfect LED color consistency. |
| LED Life | 50,000 Hrs or more based on Climate /Ambient Temperature |
| Gear plate: | Galvanized steel plate, button design for opened device. Remote Electronics Driver / (Meanwell OSRAM / Tridonic Atco / Philips / Inventronics / Eagle, etc. Durable Silicon Rubber Gasket. 3000/4000/6000K CCT. Excellent heat dissipation. Color Rendering Index is 80+. |
| Luminaire Control: | Quick on/off connector when be open. |
| Finishing: | Surface anti-ageing electrostatic spray processing, super resistance to corrosion and chemical protection. |
| Operating Temperature | -30°C to 50° C |



with 3 x 1W/3W Power LED
24VDC input



Wattage can be customizedly increased / decreased as per Site requirement



Due to continuous improvements, specifications may change without prior notice.

MICRO ACQUA SERIES



Due to continuous improvements, specifications may change without prior notice.

Technology Data

| Code | Lamp | Output power | LED Color | Lumen | Voltage | Beam Angle | LED |
|-------------|------|--------------|-----------|-------|----------|------------|-----|
| MICRO ACQUA | LED | 3W | 2700K | 180 | DC 24V | Narrow | |
| | | 9W | 3000K | 540 | Dimmable | Medium | |
| | | | 4000K | | | Wide | |
| | | | 5000K | | | | |
| | | | RGB | | | | |

Wattage can be customizedly increased / decreased as per Site requirement



FOUNTAIN ACQUA SERIES



Description

350mA/500mA/750mA/1050mA

The FOUNTAIN ACQUA series is a new Fountain submersible Underwater Jet Luminaires in High LED Version providing precision optical systems gives very low glare rating, while reducing light pollution and specially designed for underwater and in unique shape version ground mounted LED light in various size design. FOUNTAIN ACQUA Series luminaires are designed to offer functional, a wide range of lighting solutions and dramatic highlighting of the architectural Water Jet through the design with superior finishing as well highest efficiency with a long service life.




This Exterior underwater luminaires with LED Products can be specified as AISI 316 Marine Grade Stainless Steel Body and Housing covered by Anti Corrosion resistant. It can achieve the desired effect in a wide range of applications with high quality optical systems and for direct lighting. This product provide soft, uniform, enhancing special lighting effect that blends into the space being lit, to maximizes light beauty.

FOUNTAIN ACQUA series is equipped with a uniquely designed for better protection and durability, easier installation and maintenance.

Dimensions

| | |
|-----------------------|---|
| Body: | 316 Grade Stainless Steel Body and Housing |
| Optical system: | Adopt modular light distribution lens, diffuser with super white, UV Resistant and Antiglare tempered Flat glass lens diffuser. |
| LED | Highest quality LEDs. Maintaining a 3-Step MacAdam ellipse one bin only, creating perfect LED color consistency. |
| LED Life | 50,000 Hrs or more based on Climate /Ambient Temperature |
| Gear plate: | Galvanized steel plate, button design for opened device. Remote Electronics Driver / (Meanwell OSRAM / Tridonic Atco / Philips / Inventronics / Eagle, etc. Durable Silicon Rubber Gasket. 3000/4000/6000K CCT. Excellent heat dissipation. Color Rendering Index is 80+. |
| Luminaire Control: | Quick on/off connector when be open. |
| Finishing: | Surface anti-ageing electrostatic spray processing, super resistance to corrosion and chemical protection. |
| Operating Temperature | -30°C to 50° C |



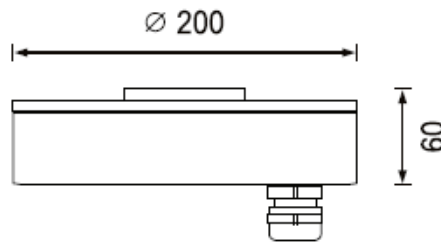
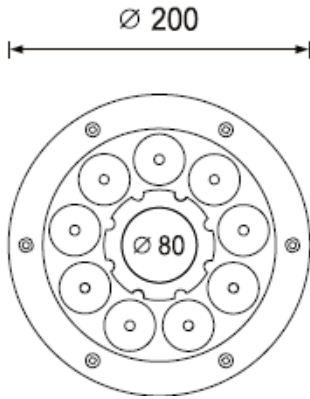
-  Narrow Beam
-  Mid Beam
-  Wide Beam

Wattage can be customizedly increased / decreased as per Site requirement



Due to continuous improvement, specifications may change without prior notice.

FOUNTAIN ACQUA SERIES



Technology Data

| Code | Lamp | Output power | LED Color | Lumen | Voltage | Beam Angle | LED |
|----------------|------|--------------|-----------|----------------|----------|------------|-----|
| FOUNTAIN ACQUA | LED | 9W | 2700K | 70-80 Lum/Watt | DC 24V | Narrow | |
| | | 12W | 3000K | | Dimmable | Medium | |
| | | 18W | 4000K | | | Wide | |
| | | | 5000K | | | | |
| | | | RGB | | | | |

Wattage can be customizedly increased / decreased as per Site requirement



Due to continuous improvements, specifications may change without prior notice.



LUBORN Exteriors Hongkong | China

1206, Eastern Commercial Centre.
397 Hennessey Road.
Wan chai Hongkong
www.luborn-exteriors.com
info@lubornexteriors.com

337-347
Loja Macau
kevin.lee@lubornexteriors.com

